



Clifford & Snell

Yodalight YL80 Hi Vis

Multi-purpose Audible & Visual Signalling Device designed for use in Industrial & Marine applications



PRODUCT FEATURES

- Max sound output 116 dB(A) @ 1m
- IP66 rated as standard
- High Brightness LED Beacon
- 32 selectable tones meeting international regulations
- Flame retardant ABS enclosure
- Stainless steel fixings
- 2 stage alarm
- Independently selectable second stage
- Lens available in eight colours

Product Approvals



Marine Equipment Directive MED
Regulations EN 54-3:2014 incl. A1:2019
IEC 60092-504:2016 IEC 60533:2015
Module B (BSI/MED/3.53/756093)
Module D (BSI/MED/PC/756095)



BS EN 54-3 : 2001 + A1:2002 + A2:2006
Type B



Merchant Shipping (Marine Equipment)
Regulations EN 54-3:2014 incl. A1:2019,
IEC 60092-504:2016 IEC 60533:2015
Module B (BSI/UK/3.53/738807)
Module D (BSI/UK/PC/738808)



BS EN 54-3 : 2001 + A1:2002 + A2:2006
Type B



EN 54-3 : 2001 + A1:2002 + A2:2006
Type B



Compliant

TECHNICAL DATA

| Electrical Data | |
|-------------------|-----------------|
| Operating Voltage | Current Draw |
| 24vDC --- | 370mA at Tone 1 |
| 48vDC --- | 380mA |
| 115vAC ~ | 200mA |
| 230vAC ~ | 120mA |

| Mechanical Data | |
|----------------------|-------------------------|
| Enclosure Material | ABS FR UL94 5VB |
| Lens Material | PC FR UV Stable UL94 HB |
| External Fixings | Stainless Steel |
| Degree of Protection | IP66 (IEC60529) |

| Ambient Conditions | |
|------------------------|------------------|
| Operating Temperatures | |
| Standard General | -35 °C to +70 °C |
| EN54 Pt:3 Fire | -25 °C to +55 °C |
| Storage Temperature | -40 °C to +70 °C |
| Max. Relative Humidity | 93% ± 3 at 40 °C |

| Acoustic Data | |
|--|-----------|
| Maximum Volume Output | 116dB (A) |
| 2 Stage Alarm with Independently Selectable tones via DIL Switch | |

Mounting / Installation

Devices should be mounted to a suitable flat wall or bulkhead avoiding any undue vibration and using the two lugs projecting from the case. The lugs are bored 10mm on 250mm centres. The minimum length of fixing screw required is 30mm. To maintain the IP rating of the enclosure, the cable entries must be fitted with a suitably rated cable gland (included). Max cable termination 2.5mm².

| Luminous Characteristics | | |
|--------------------------|---|-------------------------|
| Array Type | 24vDC --- (*) | 12 High Brightness LEDs |
| | 48vDC --- (**) | 25 High Brightness LEDs |
| | 115vAC ~ (**) | 25 High Brightness LEDs |
| | 230vAC ~ (**) | 25 High Brightness LEDs |
| Flash Rate | (*) 60 FPM, (**) 60/120 FPM User selectable | |

Line integrity on 24vDC systems

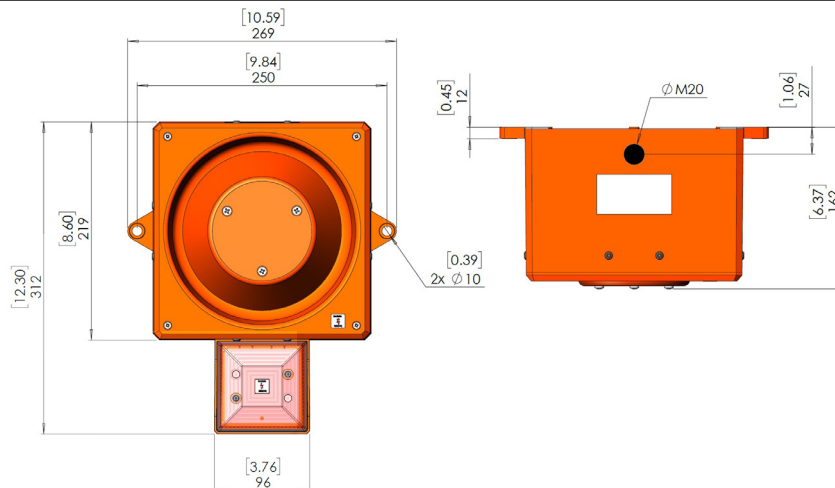
- For 3 wire 2 stage alarm system, monitor via reverse polarity.
- For 2 wire 2 stage alarm system, monitor via threshold, (applied voltage < 1v) an end-of-line (E.O.L) resistor is required for line monitoring and should have a minimum resistance of 3k3 Ohms and 0.5 Watts, wire-wound or metal film type.

Multi-Stage Alarm

The YL80 units are supplied with a 2 Stage Alarm option with Independently Selectable tones (see tone table on the installation sheet for details) across all voltage options as standard.

Dimensional Drawing

We reserve the right to make alterations to the technical data, dimensions, weights, designs and products available without notice. The illustrations cannot be considered binding. All Dimensions in mm [inches] - Subject to alterations



SELECTION

| Version | Enclosure Colour | Rated Operational Voltage | Lens Colour | Effective Candela (cd) | Order number | Art. No. | Weight (kg) |
|--|-------------------------------|------------------------------|--------------------|---------------------------|--------------------|----------|----------------|
| YL80 Sounder/LED combination BS EN 54 Pt:3 UKCA, CE & MED | Red Flame (RF) RAL 2002 | 24vDC --- | Amber | 9.22 | YL80/DL/A/RF/HV/WR | 245330 | 3.2 |
| | | | Red | 8.93 | YL80/DL/R/RF/HV/WR | 245331 | 3.2 |
| | | | Green | 27.52 | YL80/DL/G/RF/HV/WR | 245332 | 3.2 |
| | | | Opal | 10.87 | YL80/DL/O/RF/HV/WR | 245333 | 3.2 |
| | | | Blue | 8.18 | YL80/DL/B/RF/HV/WR | 245334 | 3.2 |
| | | | Clear | 29.21 | YL80/DL/C/RF/HV/WR | 245335 | 3.2 |
| | | | Yellow | 26.79 | YL80/DL/Y/RF/HV/WR | 245336 | 3.2 |
| | | | Magenta | 6.6 | YL80/DL/M/RF/HV/WR | 245337 | 3.2 |
| | | 48vDC --- | Amber | 62.31 | YL80/FL/A/RF/HV/WR | 245338 | 3.2 |
| | | | Red | 55.12 | YL80/FL/R/RF/HV/WR | 245339 | 3.2 |
| | | | Green | 69.23 | YL80/FL/G/RF/HV/WR | 245340 | 3.2 |
| | | | Opal | 33 | YL80/FL/O/RF/HV/WR | 245341 | 3.2 |
| | | | Blue | 10.27 | YL80/FL/B/RF/HV/WR | 245342 | 3.2 |
| | | | Clear | 78.97 | YL80/FL/C/RF/HV/WR | 245343 | 3.2 |
| | | | Yellow | 66.83 | YL80/FL/Y/RF/HV/WR | 245344 | 3.2 |
| | | | Magenta | 19.12 | YL80/FL/M/RF/HV/WR | 245345 | 3.2 |
| | | 115vAC ~ | Amber | 62.31 | YL80/LL/A/RF/HV/WR | 245346 | 3.67 |
| | | | Red | 55.12 | YL80/LL/R/RF/HV/WR | 245347 | 3.67 |
| | | | Green | 69.23 | YL80/LL/G/RF/HV/WR | 245348 | 3.67 |
| | | | Opal | 33 | YL80/LL/O/RF/HV/WR | 245349 | 3.67 |
| | | | Blue | 10.27 | YL80/LL/B/RF/HV/WR | 245350 | 3.67 |
| | | | Clear | 78.97 | YL80/LL/C/RF/HV/WR | 245351 | 3.67 |
| | | | Yellow | 66.83 | YL80/LL/Y/RF/HV/WR | 245352 | 3.67 |
| | | | Magenta | 19.12 | YL80/LL/M/RF/HV/WR | 245353 | 3.67 |
| | | 230vAC ~ | Amber | 62.31 | YL80/NL/A/RF/HV/WR | 245354 | 3.67 |
| | | | Red | 55.12 | YL80/NL/R/RF/HV/WR | 245355 | 3.67 |
| | | | Green | 69.23 | YL80/NL/G/RF/HV/WR | 245356 | 3.67 |
| | | | Opal | 33 | YL80/NL/O/RF/HV/WR | 245357 | 3.67 |
| Blue | 10.27 | | YL80/NL/B/RF/HV/WR | 245358 | 3.67 | | |
| Clear | 78.97 | | YL80/NL/C/RF/HV/WR | 245359 | 3.67 | | |
| Yellow | 66.83 | | YL80/NL/Y/RF/HV/WR | 245360 | 3.67 | | |
| Magenta | 19.12 | | YL80/NL/M/RF/HV/WR | 245361 | 3.67 | | |