

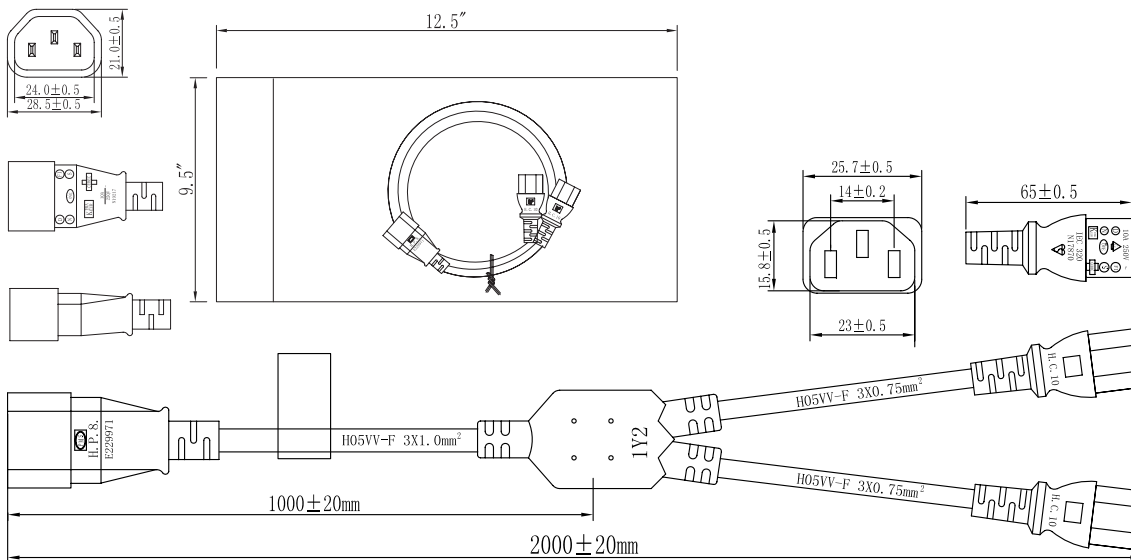
Mains Power Cord



Specifications

Connector to Connector : IEC 60320 C14 to 2x IEC 60320 C13
 Current Rating : 10A
 Jacket Colour : Black
 Cable Length : 2m

Diagram



CABLE MARKING: H05VV-F 3G1.0mm² <VDE> N19626 CCC A030116 No.2003010105097406 227 IEC 53(RVV) 300/500V 3X1.0mm²

CABLE MARKING: H05VV-F 3G0.75mm² <VDE> N19626 CCC A030116 No.2003010105097406 227 IEC 53(RVV) 300/500V 3X0.75mm²

Part Number Table

Description	Part Number
IEC Splitter, IEC C14 Male to 2x IEC C13 Female Lead, 2m, Black	PE01115

Dimensions : Millimetres

Important Notice : This data sheet and its contents (the "Information") belong to the members of the AVNET group of companies (the "Group") or are licensed to it. No licence is granted for the use of it other than for information purposes in connection with the products to which it relates. No licence of any intellectual property rights is granted. The Information is subject to change without notice and replaces all data sheets previously supplied. The Information supplied is believed to be accurate but the Group assumes no responsibility for its accuracy or completeness, any error in or omission from it or for any use made of it. Users of this data sheet should check for themselves the Information and the suitability of the products for their purpose and not make any assumptions based on information included or omitted. Liability for loss or damage resulting from any reliance on the Information or use of it (including liability resulting from negligence or where the Group was aware of the possibility of such loss or damage arising) is excluded. This will not operate to limit or restrict the Group's liability for death or personal injury resulting from its negligence. pro-ELEC is the registered trademark of Premier Farnell Limited 2019.

Newark.com/exclusive-brands
 Farnell.com/exclusive-brands
 Element14.com/exclusive-brands

