

Amphenol®

TERRAPIN

Miniature Rugged Connector Series



TERRAPIN

Miniature Rugged Connector Series

Intended for harsh environment applications and used extensively in soldier communications, Amphenol Terrapin is a miniature series of circular push-pull connectors. Within a rugged shell design Terrapin offers superior EMC performance and high environmental sealing to IP68. Resilient in severe battlefield situations the RoHS compliant black-silver plating is both low-lustre and corrosion resistant. Featuring an optional locking mechanism, multiple shell sizes with up to 37 contacts and suitability for overmoulding, Terrapin is the preferred choice for miniature connectors in military and other harsh environment applications.

Terrapin shells are machined from brass giving an increased number of mating cycles and higher degree of robustness over traditional aluminium connectors. Five different keying options are available to prevent mis-mating; N, A, B, C and D. Standard plating is non-reflective black-silver, alternative plating finishes are available upon request.

Terrapin is available in two different styles of mating; either Snatch, being a break-away connector with no moving parts, or Latch, which has an additional coupling ring allowing connections to be locked together. The same plug can be mated to either snatch or latch receptacles. Both styles of product are waterproof to IP68 in both their mated and unmated conditions.

Amphenol offer a full range of cable harness solutions with standard or customised overmoulding. Alternatively,

for field termination, both integral and threaded backshell connectors can be terminated with screen retention straps and heatshrink boots giving full 360° screening.

The customised design specification of Terrapin lends itself to a variety of applications. The high degree of sealing offered by Terrapin makes it perfect for Unmanned Ground Sensors and Surveillance equipment. Whatever the application, Terrapin offers space savings and improved durability over traditional interconnect products. Other applications include first responder and soldier mounted communication applications such as radios, headsets and GPS units, Terrapin is also suitable for Gigabit Ethernet and USB 2.0 and used widely on Computer Systems, LAN Switches and Routers.

Contents

Terrapin terminology	4
Terrapin mating options	4
Terrapin PART NUMBERING	5
Terrapin performance information	6
Terrapin insert availability	7
NEW High Density Terrapin	8
NEW Aluminium Terrapin – 50% Lighter	9
NEW Micro-USB Terrapin	10

Plugs

Table of styles	11
76A Rear Mount Jam Nut Plug	12
67A Front Mount Jam Nut Plug	13
06K Inline Plug Integral Backshell	14
06T Inline Plug Threaded Backshell	15
76T Rear Mount Jam Nut Plug, Screw On Backshell	16

Receptacles

Table of styles	17
01K Inline Receptacle, Integral Backshell	18
L1K Inline Latching Receptacle, Integral Backshell	19
01T Inline Receptacle, Threaded Backshell	20
L1T Inline Latching Receptacle, Threaded Backshell	21
07A Rear Mount Jam Nut Receptacle	22
71A Front Mount Receptacle, Threaded	23

Accessories

Cap assembly part numbering	24
390-5056 Metal Dust Cap Assembly for Receptacles	25
390-5057 Metal Dust Cap Assembly for Plugs	26
390-5063 Rubber Dust Cap Assembly for Receptacles	27
390-5064 Rubber Dust Cap Assembly for Plugs	28
Overmoulded cable harnesses	29
NEW Hermetic Sealing and EMI Filtering	30

Terrapin terminology

L1T



Body

Backshell

Crimp ferrule

L1K



Coupling ring

Integral backshell

01K



Integral backshell for direct screen termination

Terrapin mating options

Chassis Mount Plug SCE2-B-76A

The same chassis mount plug will mate with both snatch and latch receptacles



Snatch Inline Receptacle SCE2-B-01K



Latch Inline Receptacle SCE2-B-L1K



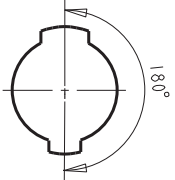
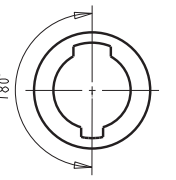
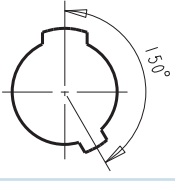
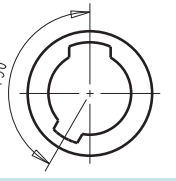
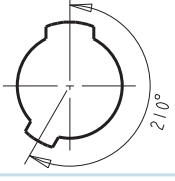
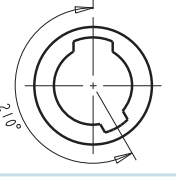
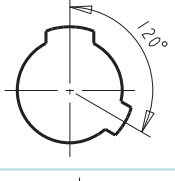
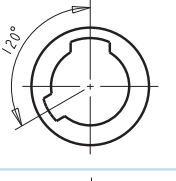
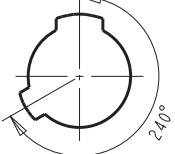
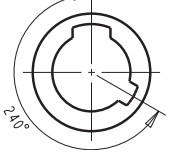
Terrapin part numbering

Example: **SCE2-B-76A06-07SN-002** | (985) for optional grounding spring in L1K and L1T | (981) castellated panel nut

SCE2-	B-	XXX	XX-	XX	-X	X-	XXX
Series identifier	Plating finish	Style	Shell size and	number of contacts	Contact style	Key orientation	Variant code
	B = Brass with Black Silver (RoHs) ZN = Aluminium with Black Zinc Nickel (RoHs)	Plugs 76A 67A 06K 06T 76T Receptacles 01K L1K 01T L1T 07A 71A		06-07 07-10A 07-12 07-14 08-19 09-26 10-37 High Density: 06-09 07-19 (See page 7)	P = Pins S = Sockets	N = Normal A B C D (See diagrams below)	001 PC Tails 002 Solder Buckets 003 Backshell

Terrapin part numbering

Terrapin plug and receptacle keyway orientation

Keyway orientation letter	PLUG keyway orientation	RECEPTACLE keyway orientation
N		
A		
B		
C		
D		

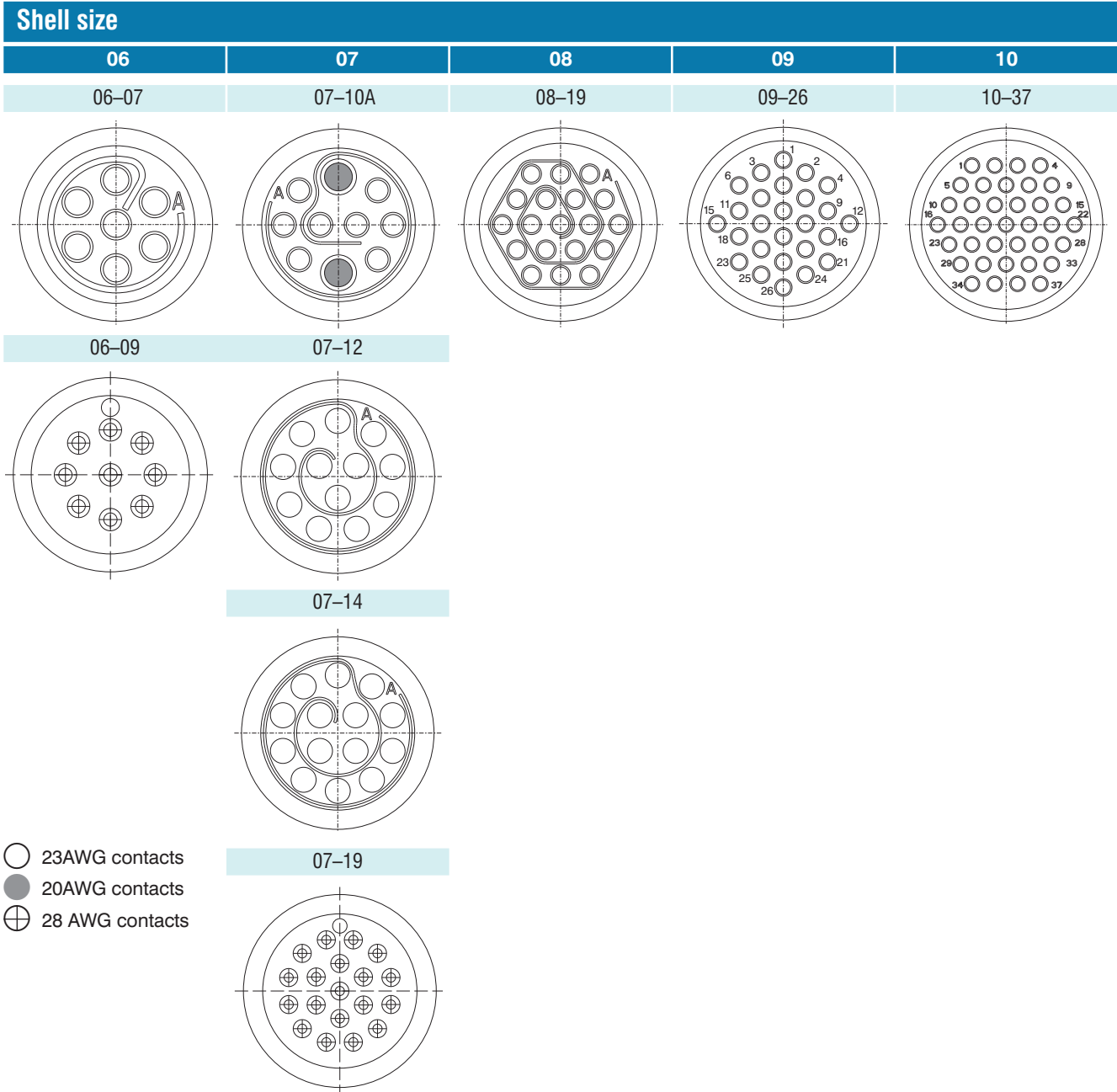
Terrapin performance information

Test/parameter	Description
Electrical	
Current Rating	28 AWG contacts: 1.5A d.c.
	23 AWG contacts: 3A d.c.
	20 AWG contacts: 7.5A d.c.
Shell to Shell Continuity	10mΩ max (screened)
Contact Resistance	5mΩ initial
	10mΩ maximum
Insulation Resistance	1000MΩ minimum, production tested to 500MΩ*
Working Voltage	AC (RMS) 400V contact dependant
Dielectric Withstanding Voltage	2mA maximum leakage
Technical	
Mating Durability	2000+ cycles
Backshell Recommended Torque	19.914 lb.f.in / 2.25Nm
Panel Nut Recommended Torque	19.914 lb.f.in / 2.25Nm
Non-magnetic	Yes
Environmental	
Operating Temperature Range	-55°C to +125°C
Temperature Endurance	250 hours +125°C
Sealing (mated and unmated)	IP68, 1 hour at 2 metres*
Air Leakage	Less than 1cc per hour
Salt Spray	1000 hours
Altitude Immersion	70,000 Feet
RoHS Compliant	Yes
Suitable for RoHS compliant Soldering	Yes

*Consult the factory if greater rating is required

Terrapin insert availability

View shown for reference / View from rear of plug*



*View from rear of receptacle is mirror image of above.

NEW High Density Terrapin



Key Features

- Higher density planform arrangements
- Reduced contact pitch
- Contact size reduced from 23AWG to 28AWG
- Up to 1.5A d.c.
- Two HD planform options; #06-09 or #07-19 giving two extra contacts in shell size #06 and five extra contacts in a shell size #07
- Ideal for low current applications with footprint constraints

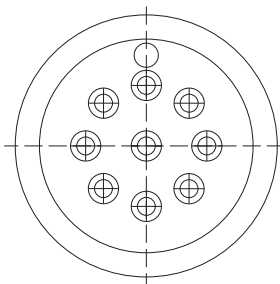
Two new high density planforms of Terrapin connector have been designed specifically to carry more signals in a smaller package than ever before.

Both the shell size #06 and #07 Terrapin connectors are now offered with a fully populated high density insert. The new higher density inserts feature a smaller 28AWG contact compared to the standard 23AWG contacts used throughout the standard product range.

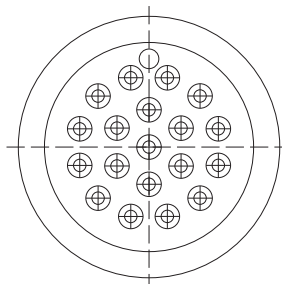
The shell size #06 Terrapin shell, previously housing seven size 23AWG contacts is now available with nine size 28AWG contacts and the shell size #07 Terrapin shell, previously having a maximum of fourteen size 23AWG contacts is now available with 19 contacts.

The High Density (HD) Terrapin connectors enable additional data lines compared to the standard product and so are perfect for those applications where space is at a premium.

The new HD Terrapin connectors are some of the first to be built using the latest robotic equipment purchased by Amphenol Ltd in response to increasing customer demand.



06-09



07-19

How to order

Simply choose 06-09 or 07-19 planform arrangement from page 7 e.g. **SCE2-B-76A06-09SN-001**

NEW Aluminium Terrapin – 50% Lighter



Key Features

- Weight reduction
- Up to 50% lighter
- Aluminium Shell
- RoHS Black Zinc Nickel Plating
- Temperature range -55°C to $+125^{\circ}\text{C}$
- IP68 sealing as standard
- 500hrs salt spray
- Ideal for handheld equipment or weight critical applications

Amphenol's Terrapin connector series is now available in a new lightweight Aluminium option. Terrapin connectors have long been used in military communications equipment so this new extension to the product range is perfectly suited not only to weight critical soldier system applications but also industrial applications such as hand-held instrumentation.

The entire Terrapin product range is now available in this new lightweight Aluminium shell material and finished in the latest RoHS compliant, Cadmium Free, Black Zinc Nickel plating finish. Typical weight savings are as much as 50% compared to standard Terrapin connectors made from Brass.

All popular performance features and high specifications of the original Terrapin product range have been retained, i.e. IP68 sealing in mated and unmated conditions, planforms up to 37 contacts, integral backshell for low cost overmoulding and of course the unique mating mechanism which allows the same plug to mate with either break-away or locking receptacles.

The new Lightweight Terrapin is fully intermateable and backwards compatible with original Terrapin connectors.



Aluminium Black Zinc Nickel



Brass Black Silver

How to order

Simply replace "B" in connector part number with "ZN" e.g. **SCE2-ZN-76A06-07SN-001**

NEW Micro-USB Terrapin



Key Features

- Industry standard Micro-USB interface
- High Speed USB 2.0 specification
- Backshell for strain-relief and screen termination
- Miniature footprint < 16mmØ
- Intermateable with standard COTS Micro-USB plugs
- Ideal for ruggedisation of devices utilising the USB 2.0 protocol

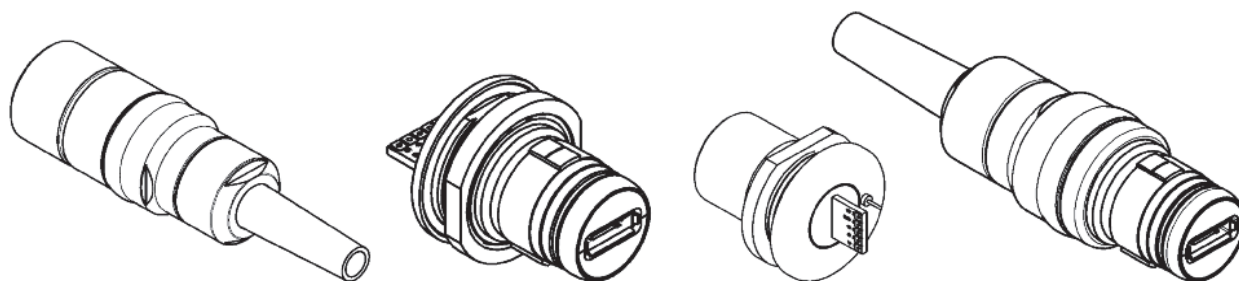
Amphenol's Terrapin connector series is now offered with a Micro-USB interface designed especially for harsh environment communication systems. This new product development combines the benefits of a rugged and IP68 sealed connector with the recognised technology of Micro-USB.

Micro-USB technology, widely used on equipments such as PDAs and Smartphones, provides total mobile interconnectivity by enabling portable devices to communicate directly with each other without the need for a host computer. By incorporating Micro-USB technology into the renowned Terrapin connector Amphenol Ltd can offer advantages of increased durability and reliability for USB data transmission in harsh environment applications.

The shell design of the Terrapin Series ensures blind mating of receptacle to plug and IP68 sealing in both mated and un-mated conditions. Available in various RoHS compliant plating finishes Terrapin Micro-USB connectors are suitable for both military and industrial applications.

Jam nut style connectors are available with either a Micro-B plug or Micro-AB receptacle insert and feature a grounding post on the shell for screening as well as a PCB board for termination.

Mating cable-mount connectors in either latch or break-away styles are available either as individual connectors or as pre-terminated overmoulded cable assemblies.



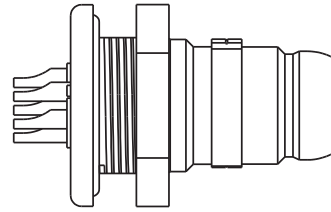
How to order

Request CPD drawings from factory for part numbers beginning **SCE2USB...**

Plugs – table of styles

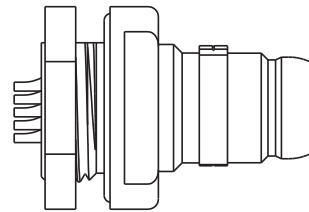
SCE2-X-76A

Page 12



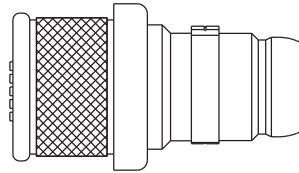
SCE2-X-67A

Page 13



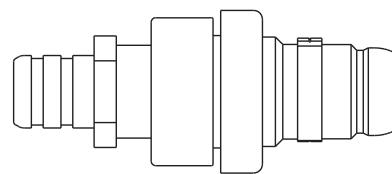
SCE2-X-06K

Page 14



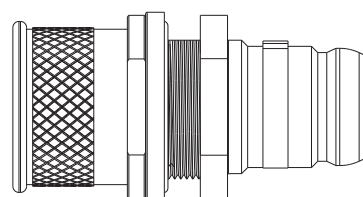
SCE2-X-06T

Page 15



SCE2-X-76T

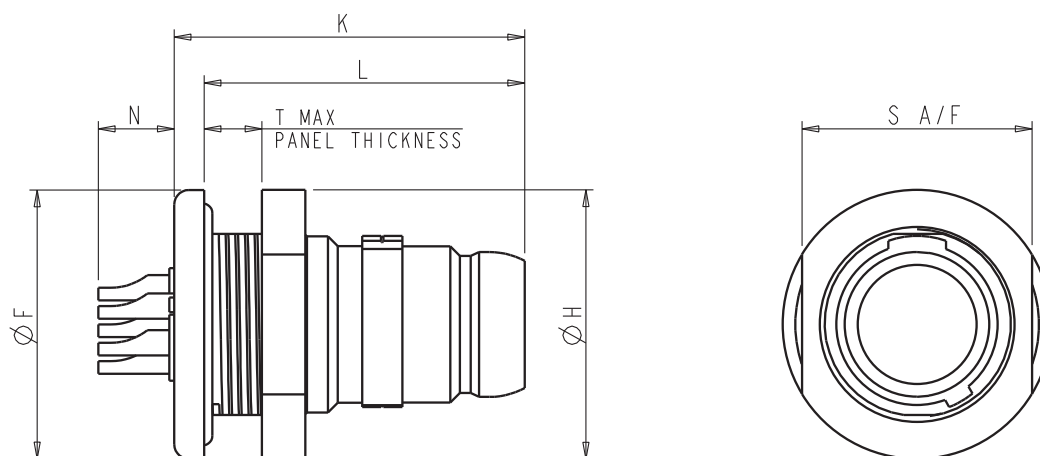
Page 16



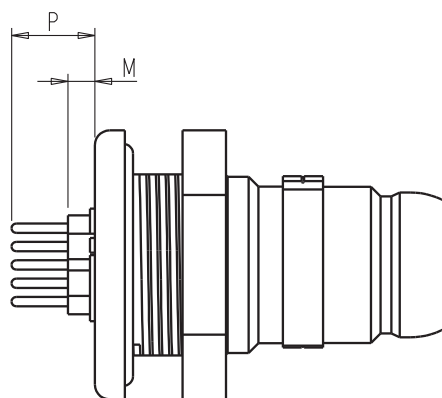
Plug

SCE2-X-76AXX-XXSX-XXX

- Rear Mount Jam Nut Plug



SOLDER BUCKET TYPE [-002]



PC TAIL TYPE [-001]

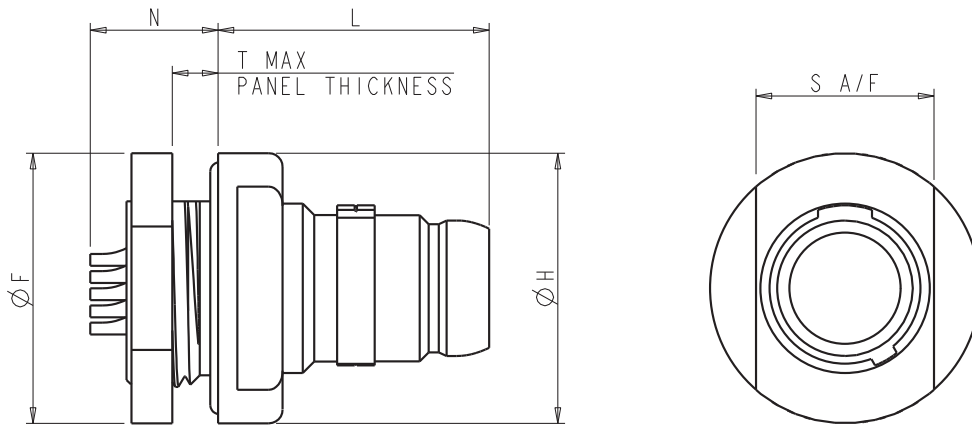
Shell Size	ØF	ØH	K	L	M	N	P	S A/F	T Max
Size 06	.550 (13.97)	.550 (13.97)	.716 (18.19)	.655 (16.64)	.055 (1.40)	.155 (3.94)	.170 (4.32)	.470 (11.94)	.118 (3.00)
Size 07	.620 (15.75)	.600 (15.24)	.716 (18.19)	.655 (16.64)	.055 (1.40)	.155 (3.94)	.170 (4.32)	.510 (12.95)	.118 (3.00)
Size 08	.760 (19.30)	.760 (19.30)	.716 (18.19)	.655 (16.64)	.055 (1.40)	.155 (3.94)	.170 (4.32)	.706 (17.93)	.118 (3.00)
Size 09	.890 (22.61)	.830 (21.08)	.802 (20.37)	.725 (18.42)	.114 (2.90)	.069 (1.75)	.234 (5.94)	.745 (18.92)	.125 (3.18)
Size 10	.930 (23.62)	.900 (22.86)	.802 (20.37)	.725 (18.42)	.114 (2.90)	.069 (1.75)	.234 (5.94)	.808 (20.52)	.125 (3.18)

All dimensions are in inches (mm shown in brackets) and are for reference only. Figure enlarged scale.

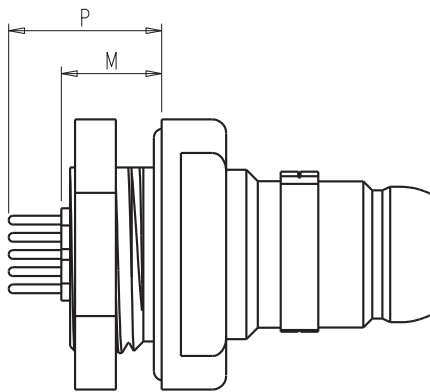
Plug

SCE2-X-**67**AXX-XXSX-XXX

■ Front Mount Jam Nut Plug



SOLDER BUCKET TYPE (-002)



PC TAIL TYPE (-001)

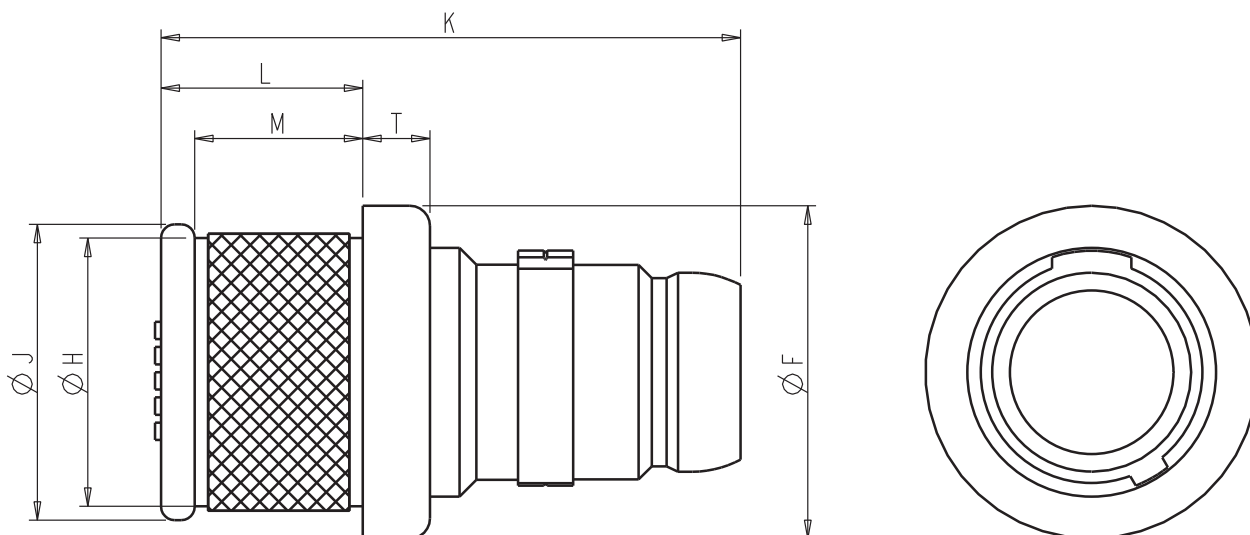
Shell Size	ØF	ØH	L	M	N	P	S A/F	T Max
Size 06	.590 (14.99)	.590 (14.99)	.592 (15.04)	.324 (8.23)	.279 (7.09)	.424 (10.78)	.525 (13.34)	.100 (2.54)
Size 07	.750 (19.05)	.750 (19.05)	.592 (15.04)	.324 (8.23)	.279 (7.09)	.444 (11.27)	.665 (16.89)	.100 (2.54)
Size 08	.760 (19.30)	.760 (19.30)	.592 (15.04)	.324 (8.23)	.279 (7.09)	.444 (11.27)	.706 (17.93)	.100 (2.54)
Size 09	.890 (22.61)	.890 (22.61)	.662 (16.82)	.254 (6.45)	.209 (5.31)	.354 (8.99)	.955 (24.26)	.100 (2.54)
Size 10	.930 (23.62)	.930 (23.62)	.662 (16.82)	.254 (6.45)	.209 (5.31)	.354 (8.99)	.995 (25.27)	.100 (2.54)

All dimensions are in inches (mm shown in brackets) and are for reference only. Figure enlarged scale.

Plug

SCE2-X-06KXX-XXSX

- Inline Plug Integral Backshell



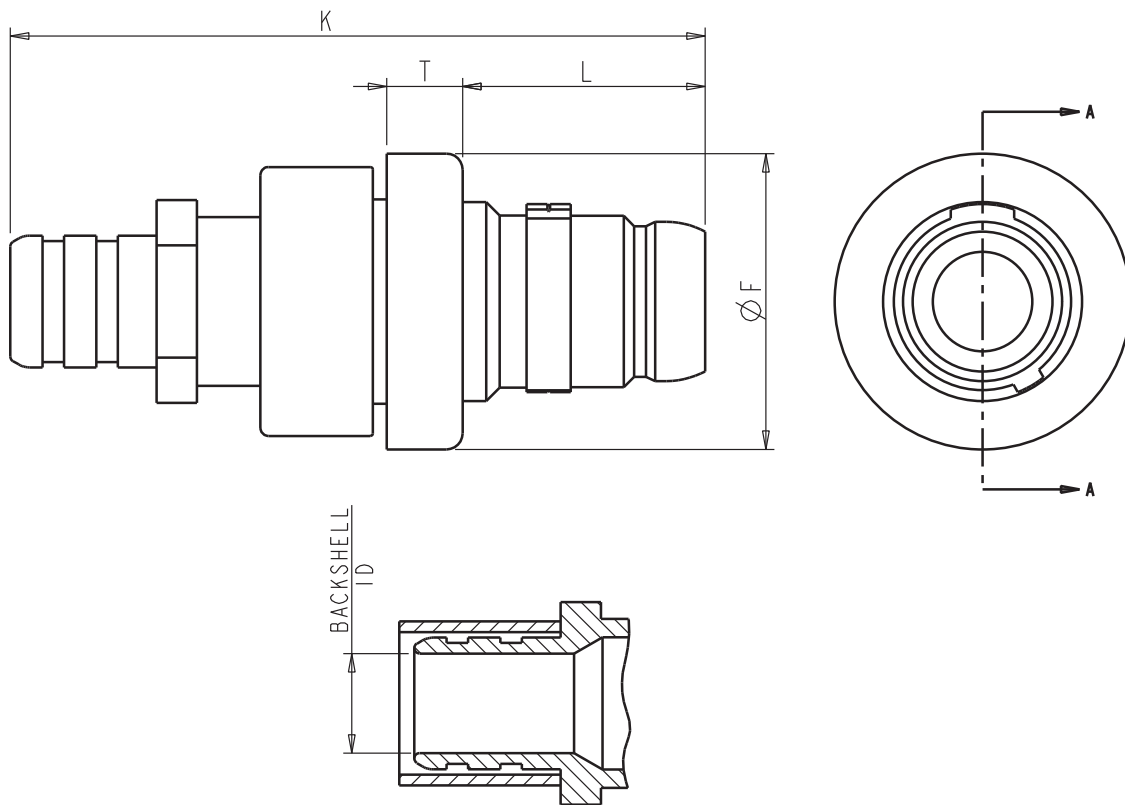
Shell Size	ØF	ØH	ØJ	K	L	M	T
Size 06	.495 (12.57)	.412 (10.46)	.440 (11.18)	.862 (21.89)	.300 (7.62)	.250 (6.35)	.100 (2.54)
Size 07	.575 (14.61)	.460 (11.68)	.505 (12.83)	.862 (21.89)	.300 (7.62)	.250 (6.35)	.100 (2.54)
Size 08	.650 (16.51)	.593 (15.06)	.620 (15.75)	.862 (21.89)	.300 (7.62)	.250 (6.35)	.100 (2.54)
Size 09	.720 (18.23)	.663 (16.84)	.690 (17.53)	.932 (23.67)	.317 (8.05)	.267 (6.78)	.100 (2.54)
Size 10	.790 (20.06)	.733 (18.61)	.760 (19.30)	.932 (23.67)	.317 (8.05)	.267 (6.78)	.100 (2.54)

All dimensions are in inches (mm shown in brackets) and are for reference only. Figure enlarged scale.

Plug

SCE2-X-06TXX-XXSX-003

■ Inline Plug Threaded Backshell



SECTION A-A
-003 ACCESSORY

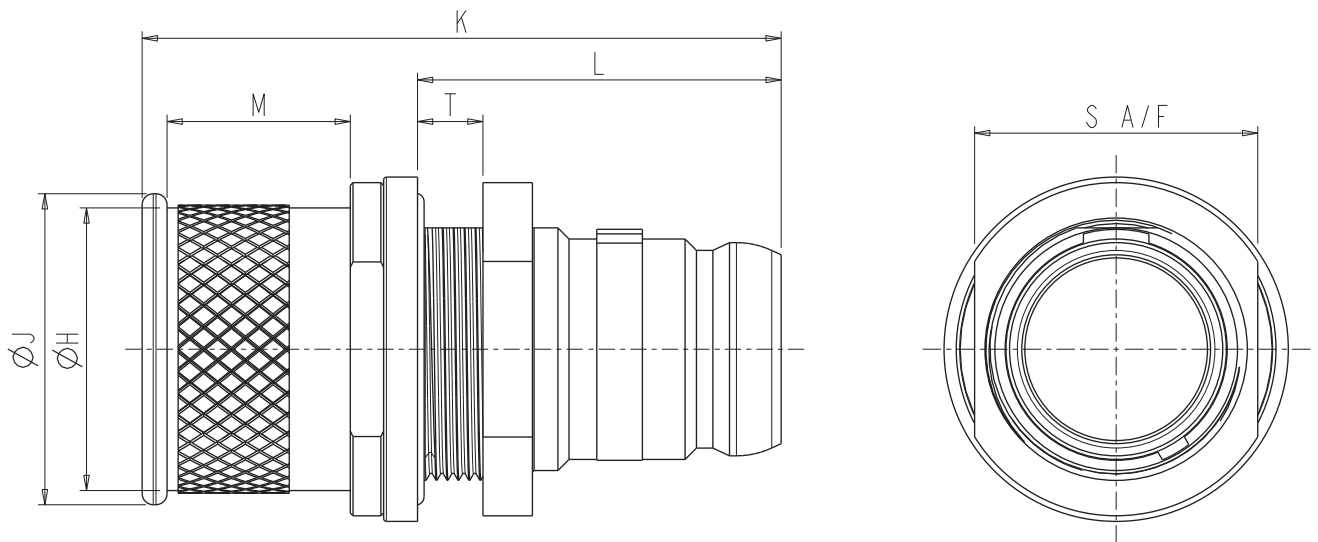
Shell Size	ØF	K	L	T	Backshell ID
					-003
Size 06	.550 (13.97)	1.292 (32.82)	.451 (11.46)	.141 (3.58)	.185 (4.70)
Size 07	.630 (16.00)	1.292 (32.82)	.451 (11.46)	.141 (3.58)	.265 (6.73)
Size 08	.705 (17.91)	1.292 (32.82)	.451 (11.46)	.141 (3.58)	.345 (8.76)
Size 09	.780 (19.81)	1.362 (34.60)	.521 (13.23)	.141 (3.58)	.425 (10.80)
Size 10	.855 (21.72)	1.362 (34.60)	.521 (13.23)	.141 (3.58)	.505 (12.83)

All dimensions are in inches (mm shown in brackets) and are for reference only. Figure enlarged scale.

Plug

SCE2-X-76TXX-XXSX-002

- Rear Mount Jam Nut Plug (Screw On Backshell)



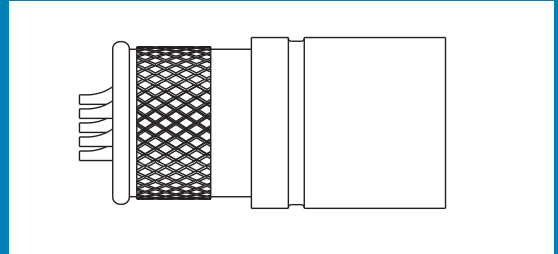
Shell Size	ØH	ØJ	K	L	M	S A/F	T Max
Size 06	.460 (11.68)	.490 (12.45)	1.150 (29.21)	.655 (16.64)	.330 (8.38)	.470 (11.94)	.118 (3.00)
Size 07	.519 (13.18)	.560 (14.21)	1.150 (29.21)	.655 (16.64)	.330 (8.38)	.510 (12.95)	.118 (3.00)
Size 08	.700 (17.78)	.730 (18.53)	1.150 (29.21)	.655 (16.64)	.330 (8.38)	.706 (17.93)	.118 (3.00)
Size 09	.752 (19.10)	.793 (20.13)	1.237 (31.40)	.725 (18.42)	.330 (8.38)	.745 (18.92)	.125 (3.18)
Size 10	.860 (21.84)	.900 (22.86)	1.220 (30.99)	.725 (18.42)	.330 (8.38)	.808 (20.52)	.125 (3.18)

All dimensions are in inches (mm shown in brackets) and are for reference only. Figure enlarged scale.

Receptacles – table of styles

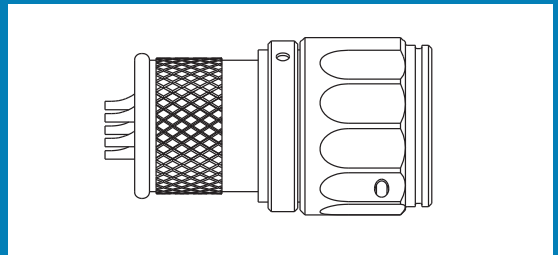
SCE2-X-01K

Page 18



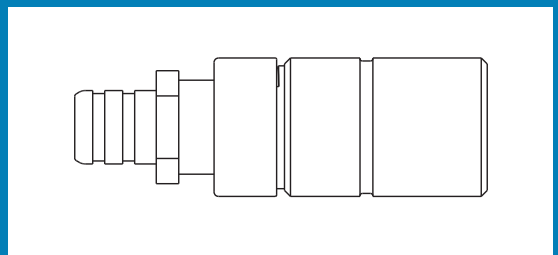
SCE2-X-L1K

Page 19



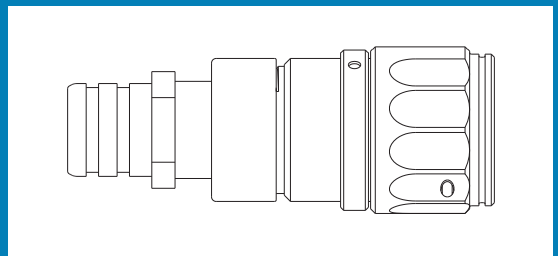
SCE2-X-01T

Page 20



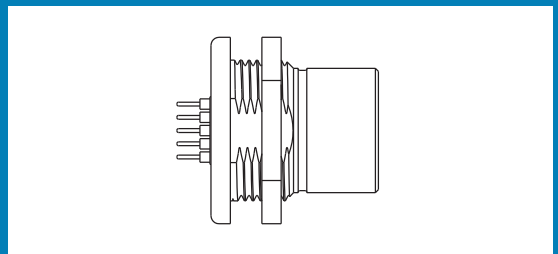
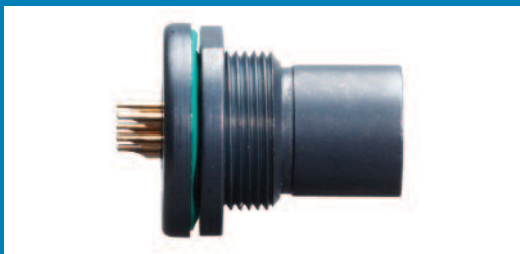
SCE2-X-L1T

Page 21



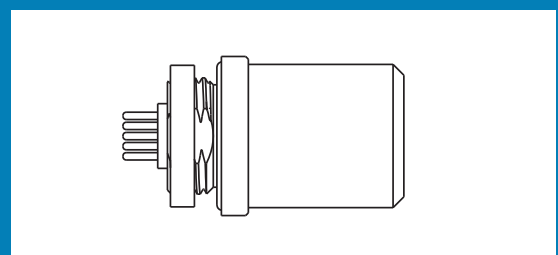
SCE2-X-07A

Page 22



SCE2-X-71A

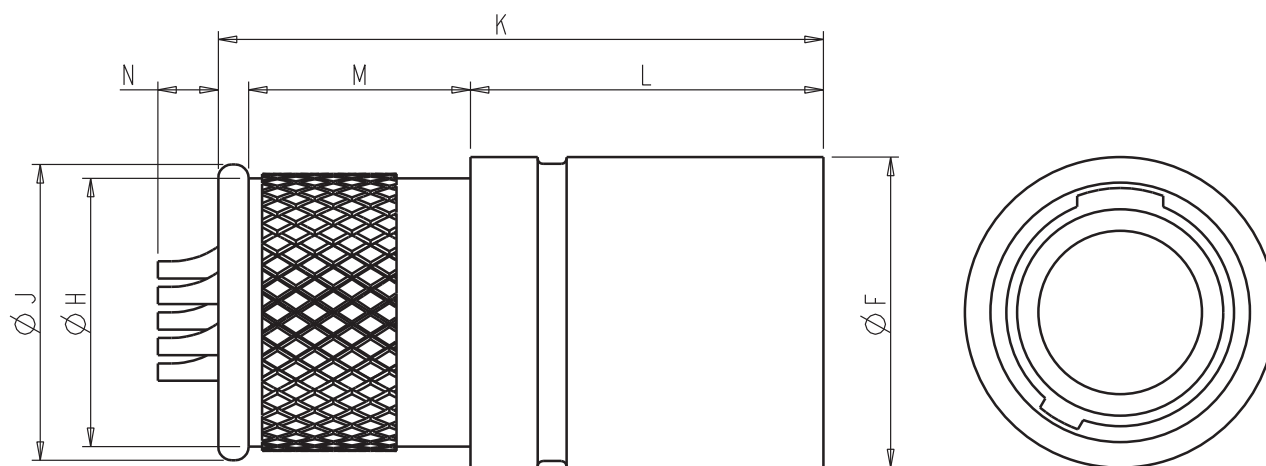
Page 23



Receptacle

SCE2-X-01KXX-XXPX

- Inline Receptacle, Integral Backshell



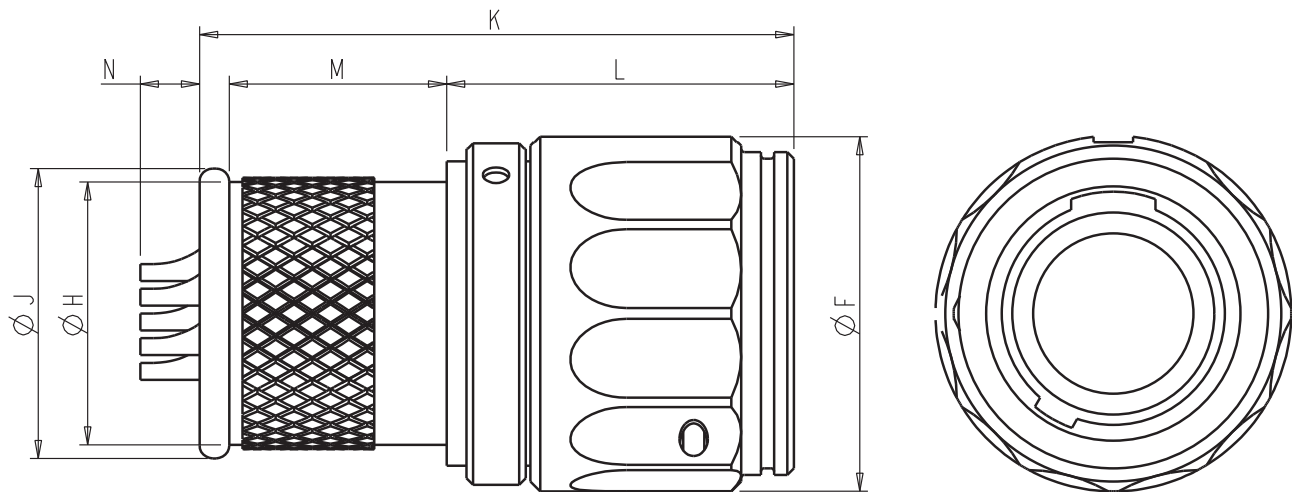
Shell Size	ØF	ØH	ØJ	K	L	M	N
Size 06	.462 (11.73)	.399 (10.13)	.440 (11.18)	.900 (22.86)	.525 (13.34)	.330 (8.38)	.090 (2.29)
Size 07	.575 (14.61)	.460 (11.68)	.505 (12.83)	.900 (22.86)	.525 (13.34)	.330 (8.38)	.090 (2.29)
Size 08	.620 (15.75)	.581 (14.76)	.620 (15.75)	.900 (22.86)	.525 (13.34)	.330 (8.38)	.090 (2.29)
Size 09	.690 (17.51)	.651 (16.54)	.690 (17.53)	.970 (24.64)	.525 (13.34)	.400 (10.16)	.090 (2.29)
Size 10	.760 (19.29)	.721 (18.31)	.760 (19.30)	.970 (24.64)	.525 (13.34)	.400 (10.16)	.090 (2.29)

All dimensions are in inches (mm shown in brackets) and are for reference only. Figure enlarged scale.

Receptacle

SCE2-X-L1KXX-XXPX

- Inline Latching Receptacle, Integral Backshell



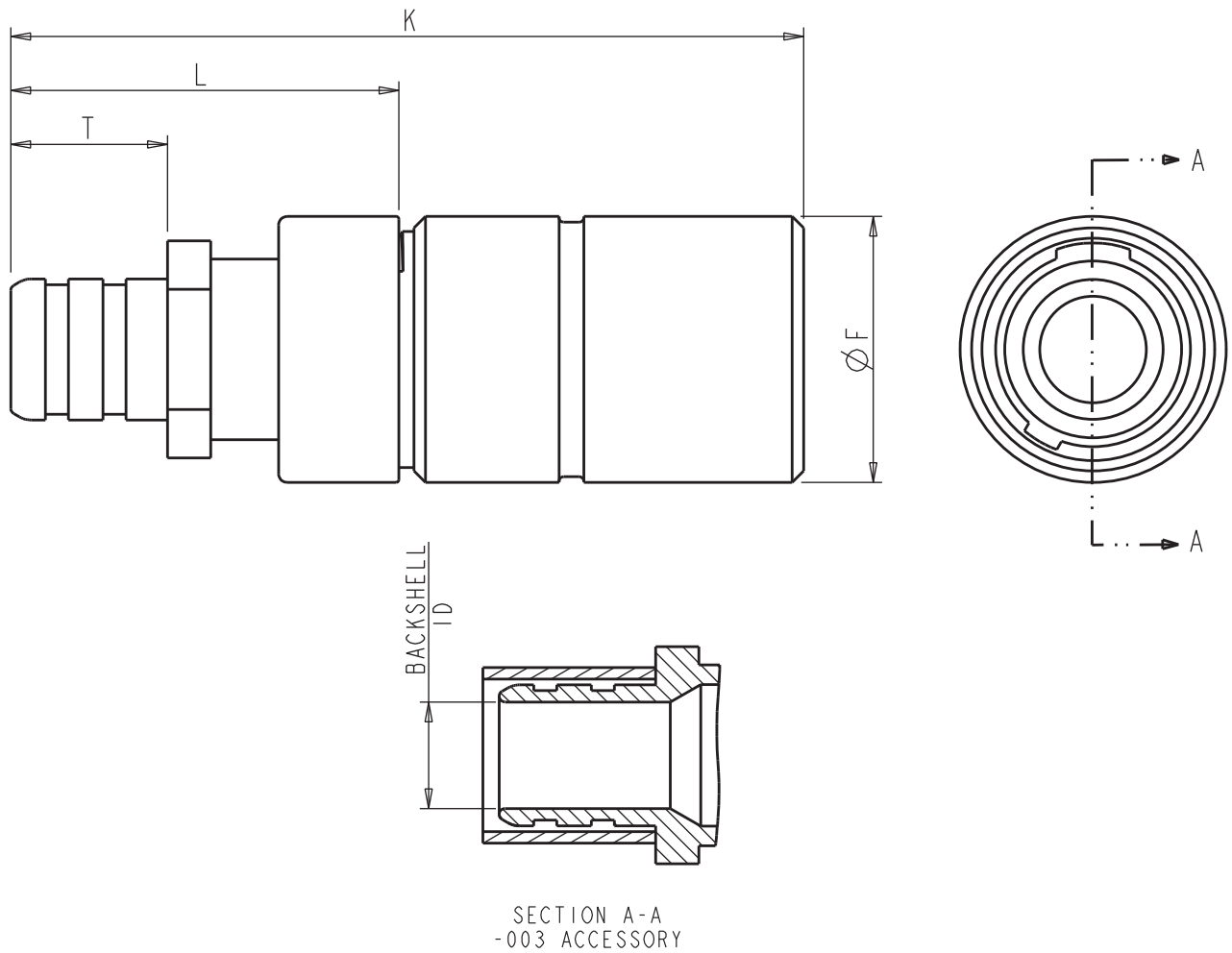
Shell Size	ØF	ØH	ØJ	K	L	M	N
Size 06	.540 (13.71)	.399 (10.14)	.440 (11.18)	.902 (22.91)	.527 (13.39)	.330 (8.38)	.090 (2.29)
Size 07	.610 (15.50)	.447 (11.35)	.505 (12.83)	.902 (22.91)	.527 (13.39)	.330 (8.38)	.090 (2.29)
Size 08	.700 (17.77)	.581 (14.75)	.620 (15.75)	.902 (22.91)	.527 (13.39)	.330 (8.38)	.090 (2.29)
Size 09	.770 (19.56)	.651 (16.54)	.690 (17.53)	.972 (24.69)	.527 (13.39)	.400 (10.16)	.090 (2.29)
Size 10	.840 (21.34)	.721 (18.31)	.760 (19.30)	.972 (24.69)	.527 (13.39)	.400 (10.16)	.090 (2.29)

All dimensions are in inches (mm shown in brackets) and are for reference only. Figure enlarged scale.

Receptacle

SCE2-X-01TXX-XXPX-003

■ Inline Receptacle, Threaded Backshell



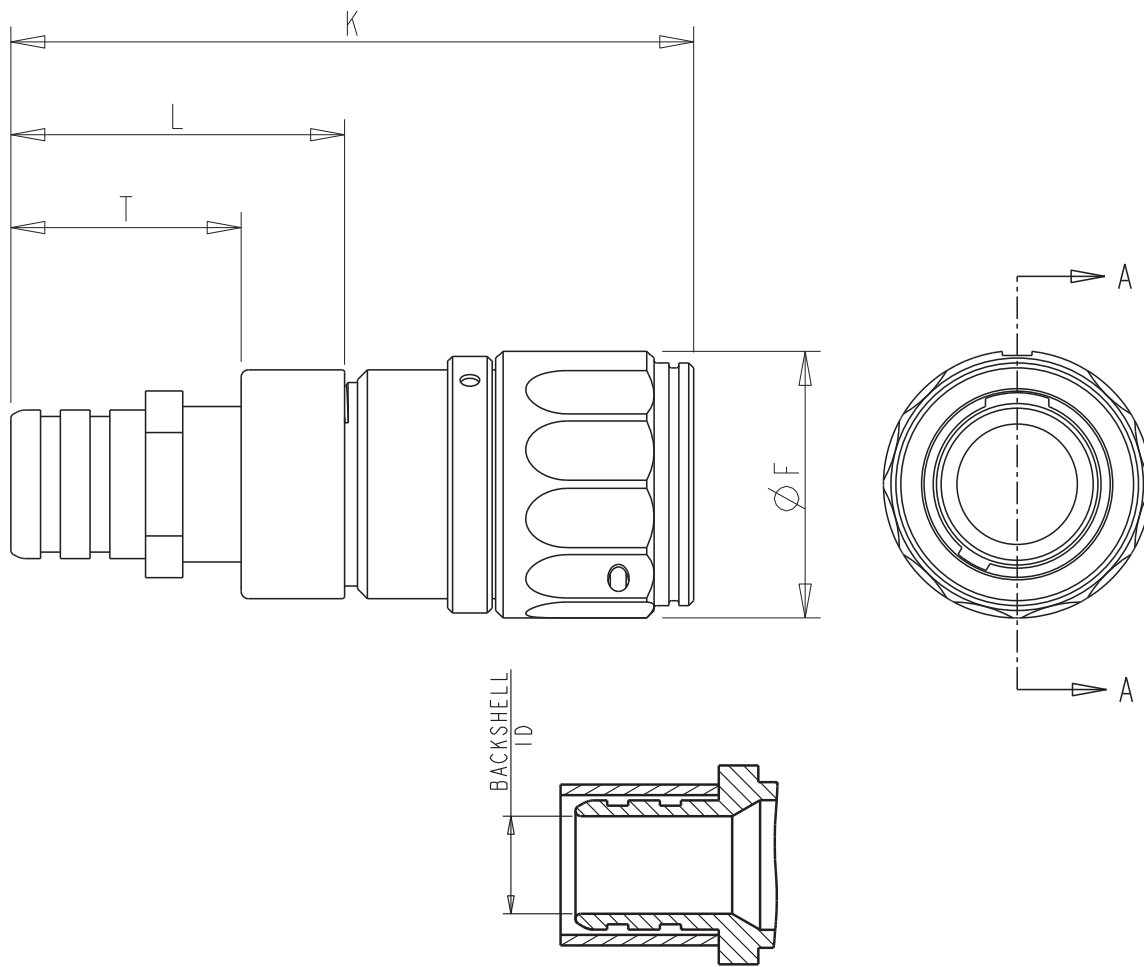
Shell Size	ØF	K	L	T	Backshell ID
					-003
Size 06	.462 (11.73)	1.377 (34.98)	.674 (17.12)	.272 (6.91)	.185 (4.70)
Size 07	.575 (14.61)	1.377 (34.98)	.674 (17.12)	.272 (6.91)	.265 (6.73)
Size 08	.620 (15.75)	1.377 (34.98)	.674 (17.12)	.272 (6.91)	.345 (8.76)
Size 09	.690 (17.53)	1.447 (36.75)	.674 (17.12)	.272 (6.91)	.425 (10.80)
Size 10	.760 (19.30)	1.447 (36.75)	.674 (17.12)	.272 (6.91)	.505 (12.83)

All dimensions are in inches (mm shown in brackets) and are for reference only. Figure enlarged scale.

Receptacle

SCE2-X-L1TXX-XXPX-003

- Inline Latching Receptacle, Threaded Backshell



SECTION A-A
-003 ACCESSORY

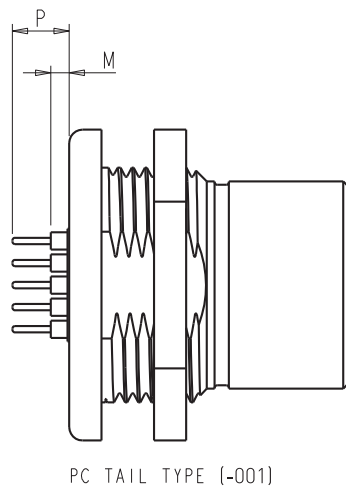
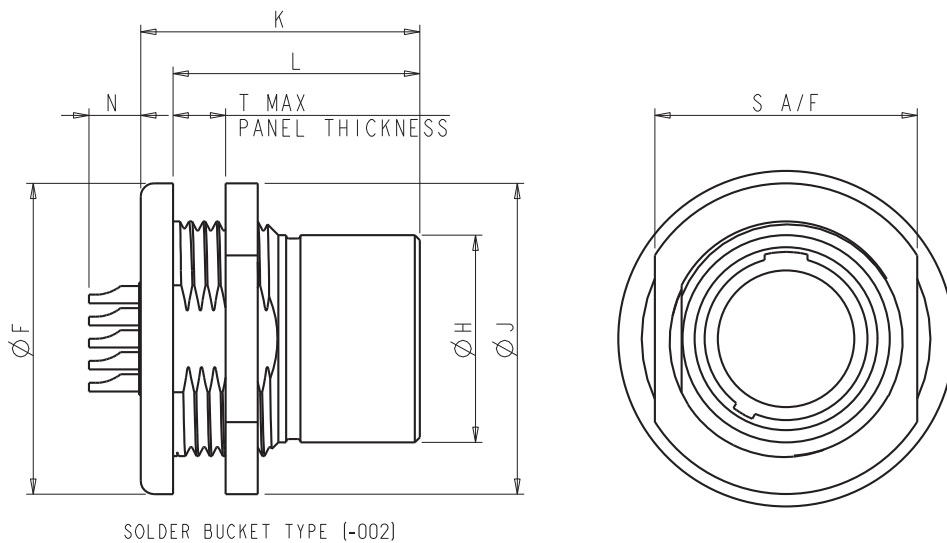
Shell Size	ØF	K	L	T	Backshell ID
					-003
Size 06	.540 (13.70)	1.379 (35.03)	.674 (17.12)	.465 (11.81)	.185 (4.70)
Size 07	.610 (15.50)	1.379 (35.03)	.674 (17.12)	.465 (11.81)	.265 (6.73)
Size 08	.700 (17.77)	1.379 (35.03)	.674 (17.12)	.465 (11.81)	.345 (8.76)
Size 09	.770 (19.56)	1.449 (36.80)	.674 (17.12)	.465 (11.81)	.425 (10.80)
Size 10	.840 (21.34)	1.470 (37.34)	.674 (17.12)	.465 (11.81)	.505 (12.83)

All dimensions are in inches (mm shown in brackets) and are for reference only. Figure enlarged scale.

Receptacle

SCE2-X-07AXX-XXPX-XXX

■ Rear Mount Jam Nut Receptacle



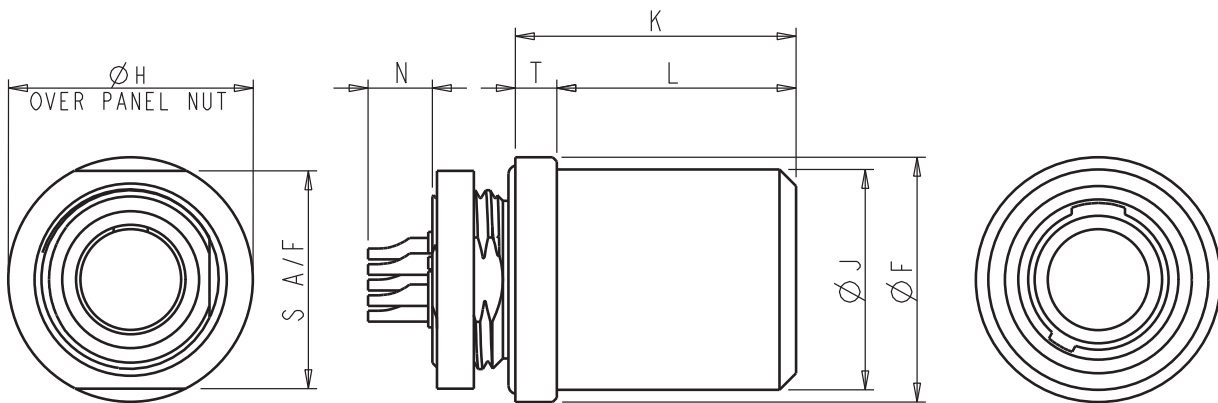
Shell Size	ØF	ØH	ØJ	K	L	M	N	P	S A/F	T Max
Size 06	.750 (19.05)	.462 (11.73)	.750 (19.05)	.835 (21.21)	.738 (18.75)	.055 (1.40)	.155 (3.94)	.170 (4.32)	.665 (16.88)	.157 (3.99)
Size 07	.895 (22.73)	.575 (14.61)	.895 (22.73)	.835 (21.21)	.738 (18.75)	.055 (1.40)	.155 (3.94)	.170 (4.32)	.750 (19.05)	.157 (3.99)
Size 08	.930 (23.62)	.620 (15.75)	.930 (23.62)	.835 (21.21)	.738 (18.75)	.055 (1.40)	.155 (3.94)	.170 (4.32)	.785 (19.94)	.157 (3.99)
Size 09	1.000 (25.38)	.690 (17.53)	1.005 (25.53)	.905 (22.99)	.808 (20.52)	N/A	.155 (3.94)	.170 (4.32)	.863 (21.92)	.157 (3.99)
Size 10	1.070 (27.18)	.760 (19.30)	1.080 (27.43)	.905 (22.99)	.808 (20.52)	N/A	.155 (3.94)	.170 (4.32)	.940 (23.88)	.157 (3.99)

All dimensions are in inches (mm shown in brackets) and are for reference only. Figure enlarged scale.

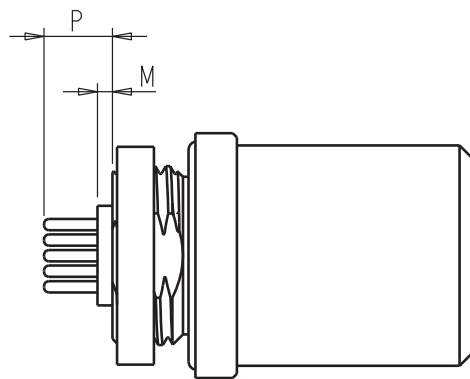
Receptacle

SCE2-X-71AXX-XXPX-XXX

■ Front Mount Receptacle, Threaded



SOLDER BUCKET TYPE (-002)



PC TAIL TYPE (-001)

Shell Size	ØF	ØJ	ØH	K	L	M	N	P	S A/F	T
Size 06	N/A	.531 (13.48)	.550 (13.97)	.677 (17.19)	N/A	.015 (0.38)	.113 (2.87)	.130 (3.30)	.470 (11.94)	N/A
Size 07	.750 (19.04)	.575 (14.61)	.750 (19.04)	.677 (17.19)	.577 (14.65)	.015 (0.38)	.113 (2.87)	.130 (3.30)	.665 (16.89)	.100 (2.54)
Size 08	.760 (19.30)	.620 (15.75)	.760 (19.30)	.877 (22.28)	.677 (17.20)	.015 (0.38)	.113 (2.87)	.130 (3.30)	.825 (20.96)	.100 (2.54)
Size 09	.890 (22.61)	.690 (17.53)	.890 (22.61)	.947 (24.05)	.747 (18.97)	N/A	.113 (2.87)	.060 (1.52)	.955 (24.26)	.100 (2.54)
Size 10	.930 (23.62)	.760 (19.30)	.930 (23.62)	.947 (24.05)	.747 (18.97)	N/A	.113 (2.87)	.060 (1.52)	.995 (25.27)	.100 (2.54)

All dimensions are in inches (mm shown in brackets) and are for reference only. Figure enlarged scale.

Accessories

Cap assembly part numbering

Example: **390-5056-06-130-02** | See Pages 25-28 for drawings | (1101) deviation for aluminium caps with black zinc nickel plating finish

390-	XXXX-	XX-	XXX-	XX
Series identifier	Cap style	Shell size	Cord length in mm	Accessories
	5056 Metal cap to fit receptacles	06 07	070 130	01 02
	5057 Metal cap to fit plugs	08 09 10	180 210	03 04 05
	5063 Rubber cap to fit receptacles			See table on pages 25-28
	5064 Rubber cap to fit plugs			

Heatshrink Boots

- Part number: 123GB-0798-XX-X-0
XX = shell size, for example: 06, 07, 08, 09, or 10
X = S for straight or R for right angled



Braid Retention Strap

- Part number: 123GB-0799-0
Tooling available on request



Castellated Panel Nut

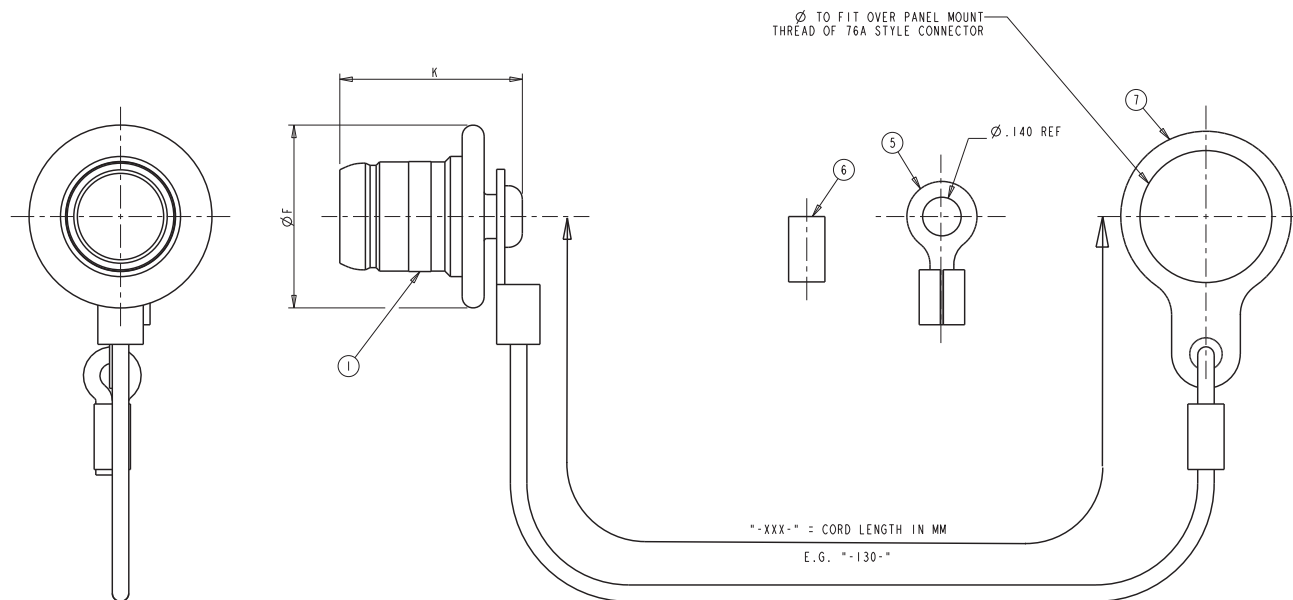
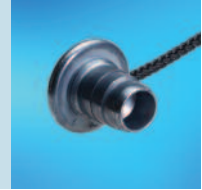
- Add deviation (981)
Tool: 390-5058-XXAXX-02 where XXAXX is shell style and size for which the tool is to fit
e.g. 390-5058-76A06-02



Accessories

390-5056-XX-XXX-XX

- Metal Dust Cap Assembly for Receptacles



Shell size	Part number	Item 1 Cap	
		ØF	K
06	390-5056-06-XXX-XX	.575 (14.61)	.664 (16.87)
07	390-5056-07-XXX-XX	.665 (16.89)	.664 (16.87)
08	390-5056-08-XXX-XX	.750 (19.05)	.664 (16.87)
09	390-5056-09-XXX-XX	.890 (22.60)	.764 (19.40)
10	390-5056-10-XXX-XX	.900 (22.86)	.764 (19.40)

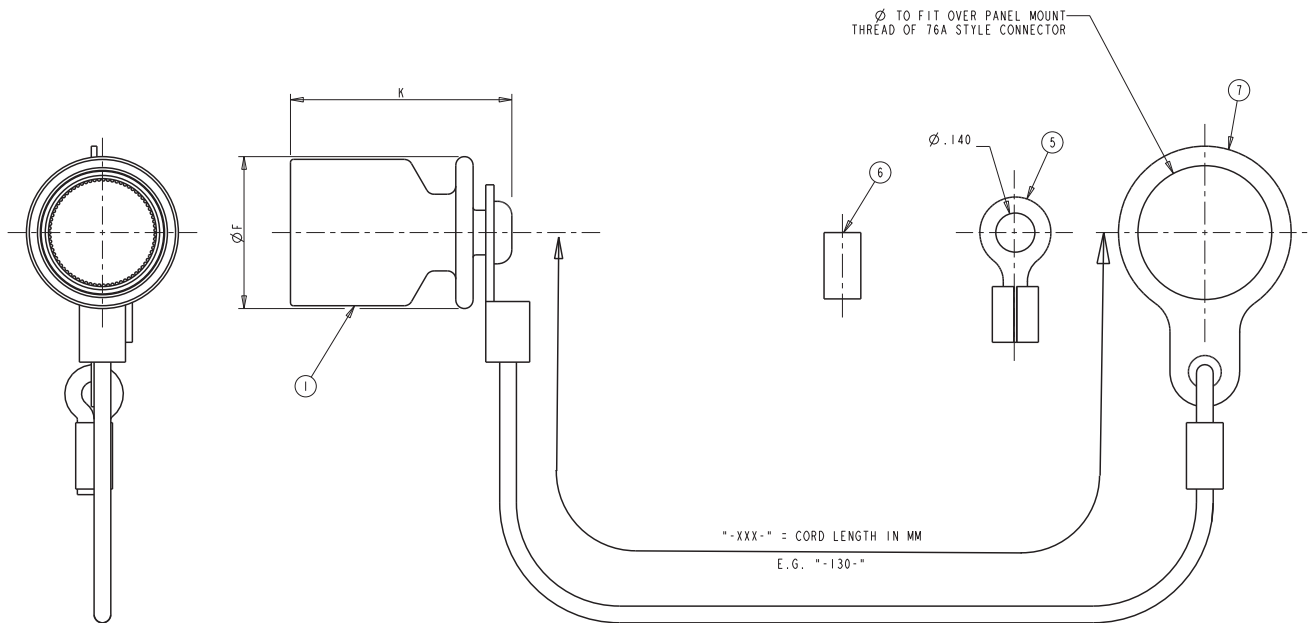
Supplied with			
Part number	Item 5 Eyelet	Item 6 Crimp ferrule	Item 7 Large eyelet
390-5056-XX-XXX-01	–	–	–
390-5056-XX-XXX-02	–	1	–
390-5056-XX-XXX-03	1	–	–
390-5056-XX-XXX-04	1	1	–
390-5056-XX-XXX-05	–	–	1

All dimensions are in inches (mm shown in brackets) and are for reference only. Figure enlarged scale.

Accessories

390-5057-XX-XXX-XX

- Metal Dust Cap Assembly for Plugs



Shell size	Part number	Item 1 Cap	
		ØF	K
06	390-5057-06-XXX-XX	.464 (11.79)	.794 (20.17)
07	390-5057-07-XXX-XX	.545 (13.84)	.794 (20.17)
08	390-5057-08-XXX-XX	.620 (15.75)	.794 (20.17)
09	390-5057-09-XXX-XX	.695 (17.65)	.894 (22.70)
10	390-5057-10-XXX-XX	.770 (19.56)	.894 (22.70)

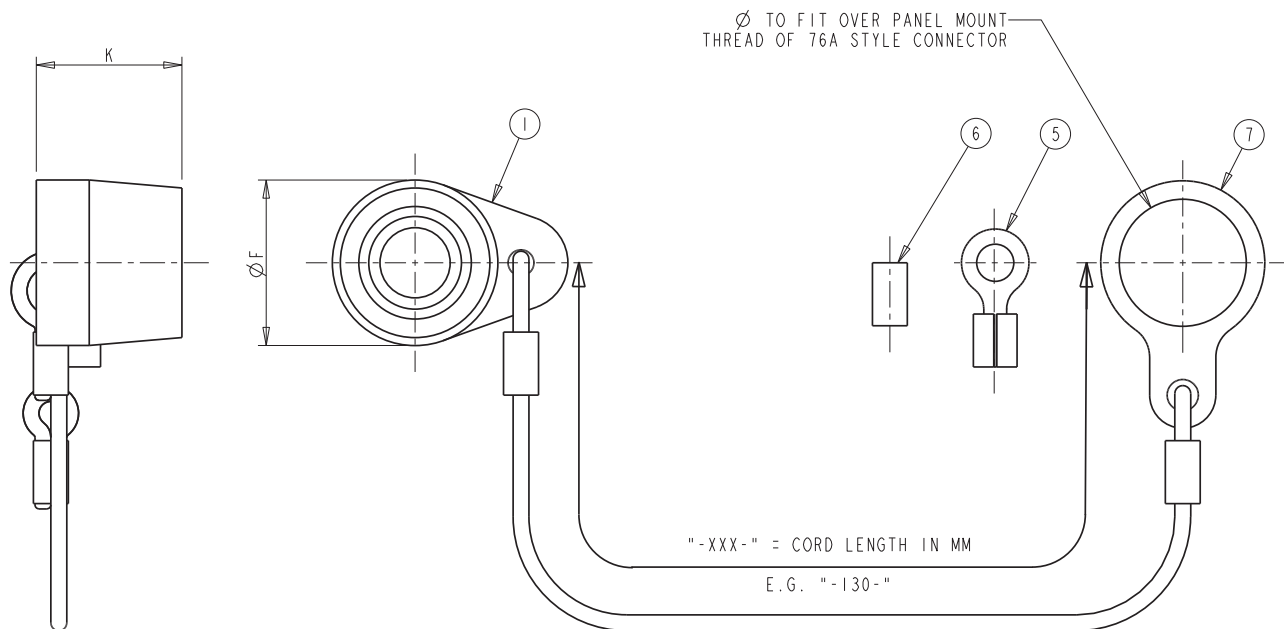
Supplied with			
Part number	Item 5 Eyelet	Item 6 Crimp ferrule	Item 7 Large eyelet
390-5057-XX-XXX-01	—	—	—
390-5057-XX-XXX-02	—	1	—
390-5057-XX-XXX-03	1	—	—
390-5057-XX-XXX-04	1	1	—
390-5057-XX-XXX-05	—	—	1

All dimensions are in inches (mm shown in brackets) and are for reference only. Figure enlarged scale.

Accessories

390-5063-XX-XXX-XX

- Rubber Dust Cap Assembly for Receptacles



Shell size	Part number	Item 1 Cap	
		ØF	K
06	390-5063-06-XXX-XX	.625 (15.87)	.550 (13.97)
07	390-5063-07-XXX-XX	.725 (18.42)	.550 (13.97)
08	390-5063-08-XXX-XX	.780 (19.81)	.550 (13.97)
09	390-5063-09-XXX-XX	.870 (22.09)	.550 (13.97)
10	390-5063-10-XXX-XX	.940 (23.88)	.550 (13.97)

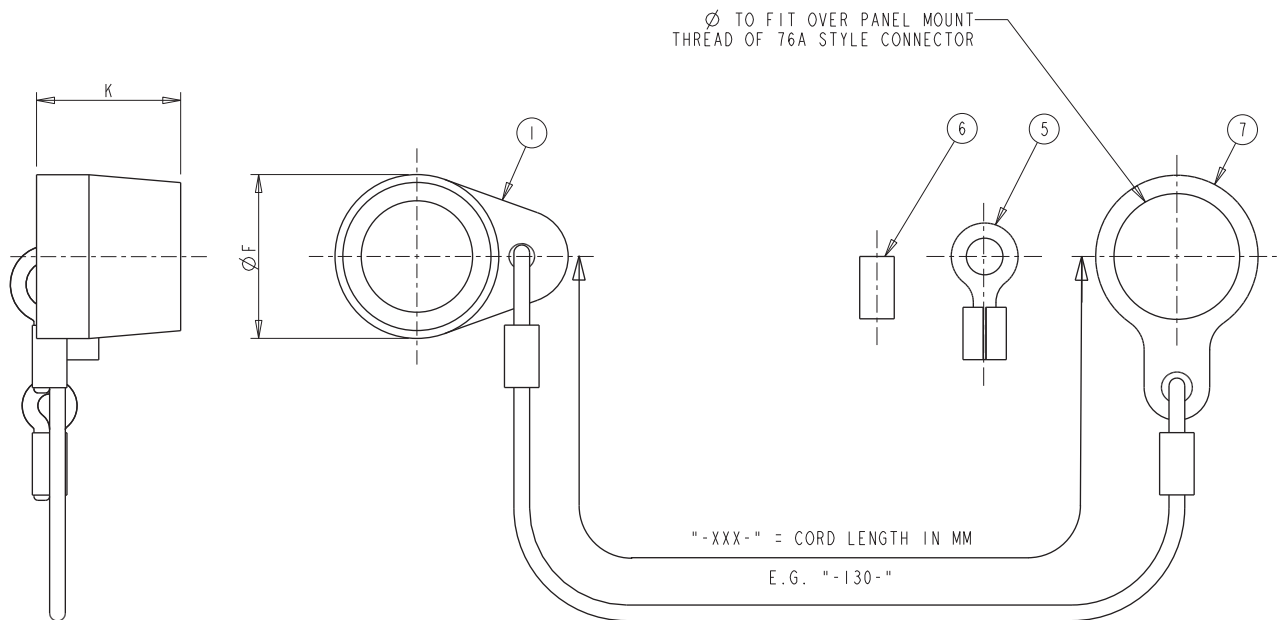
Supplied with			
Part number	Item 5 Eyelet	Item 6 Crimp ferrule	Item 7 Large eyelet
390-5063-XX-XXX-01	–	–	–
390-5063-XX-XXX-02	–	1	–
390-5063-XX-XXX-03	1	–	–
390-5063-XX-XXX-04	1	1	–
390-5063-XX-XXX-05	–	–	1

All dimensions are in inches (mm shown in brackets) and are for reference only. Figure enlarged scale.

Accessories

390-5064-XX-XXX-XX

- Rubber Dust Cap Assembly for Plugs



Shell size	Part number	Item 1 Cap	
		ØF	K
06	390-5064-06-XXX-XX	.450 (11.43)	.550 (13.97)
07	390-5064-07-XXX-XX	.525 (13.34)	.550 (13.97)
08	390-5064-08-XXX-XX	.595 (15.11)	.550 (13.97)
09	390-5064-09-XXX-XX	.665 (16.89)	.550 (13.97)
10	390-5064-10-XXX-XX	.735 (18.67)	.550 (13.97)

Supplied with			
Part number	Item 5 Eyelet	Item 6 Crimp ferrule	Item 7 Large eyelet
390-5064-XX-XXX-01	—	—	—
390-5064-XX-XXX-02	—	1	—
390-5064-XX-XXX-03	1	—	—
390-5064-XX-XXX-04	1	1	—
390-5064-XX-XXX-05	—	—	1

All dimensions are in inches (mm shown in brackets) and are for reference only. Figure enlarged scale.

Accessories

Overmoulded cable harnesses using Terrapin connectors



Amphenol Ltd design, prototype and manufacture a wide range of both standard and customised cable harness assemblies utilising overmould technology. The Terrapin connector range has been designed specifically to lend itself to this method of termination.

Amphenol Ltd's capability in manufacturing is matched by our engineering expertise, we are able to offer a full design and development service from drawing conception to production delivery.

Overmoulding has fast become widely recognised for the benefits it brings to equipments used in both military and harsh environment situations.

Military/harsh environment situations

- Both standard and custom profile mouldings available
- In-house design and prototype facility
- Aesthetically uniform product
- Repeatable high complexity mouldings
- Low cost and repair by replacement
- Robust and tamper-proof
- Straight and angled mouldings
- Low profile mouldings
- Finger grips, logos and tactile indicators optional
- Mould material suitable for NBC washdown
- High degree of sealing – IP68

Typical applications

- Chemical detection units
- Comms units
- Display Modules
- GPS
- Headsets
- Hubs
- LAN Switches
- Radios
- Routers
- Ruggedised laptops
- Sensor units
- Surveillance and rangefinders
- Weapons systems

NEW Hermetic Sealing



Terrapin connectors are often selected for their high degree of IP68 sealing to 20m immersion in water.

However for greater sealing or for high temperature and high pressure environments, these connectors can also be supplied with a glass to metal hermetic seal. Glass to metal seals facilitate an excellent level of hermeticity greater than $10^{-9}\text{cm}^3\text{sec}^{-1}$ at 1atm ΔP Helium. Various shell and pin materials are available dependant on the application.

NEW EMI Filtering

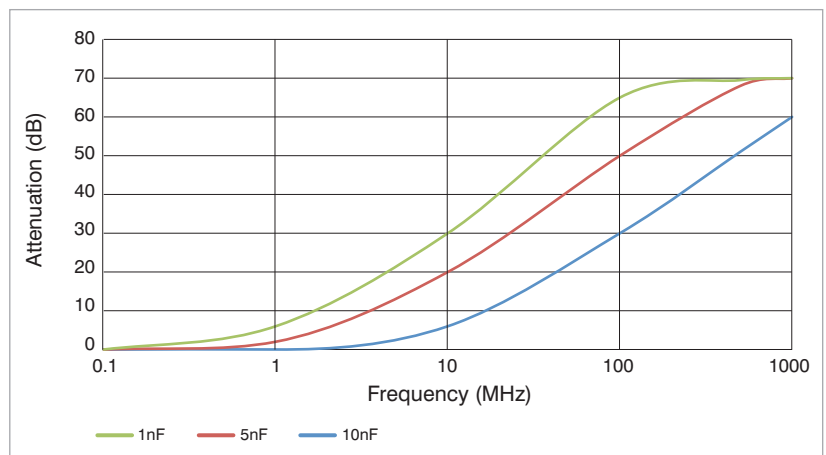


Terrapin connectors are also available with embedded EMI filter circuits. Planar filtering technology further enhances the renowned EMC performance of the Terrapin range and has minimal impact on the physical size of the connectors. Connectors can be supplied with either standard or customised Pi, C or LC filter circuits.

Embedding filtering eliminates the need for 'dirty' areas or additional filter boards and circuitry within a box, resulting in weight and space savings. Filtering within the connector also enables a low impedance path between filter and ground, mechanically and environmentally protected circuits and increased reliability. The mechanical design of the Filtered Terrapin connectors ensure that equipment is protected from unwanted signals and noise as well as the ingress of dust and moisture.

Pi filtering is achieved via dual capacitors with a single inductive element between them. This circuit arrangement provides excellent performance due to its sharp attenuation slope and is suitable for a variety of applications.

The typical frequency response of these three different Pi circuits is shown based on a 50Ω source and load impedance.



How to order

Contact factory for more information on part numbering and specification

Notes

Products are sold subject to Amphenol's conditions of sale ("the standard conditions"). All specifications and statements contained herein are believed to be correct at the time of printing, but no representation or warranty, express or implied, is given as to any specification or statement contained herein. Product specifications including performance characteristics are typical only and subject to deviation. Specifications are also subject to change without notice. Users should not assume that all safety measures are indicated or that other measures may not be required. No representation or warranty, express or implied, is given that any use of products (including any stated or suggested use) does not infringe any patent, registered design or other third party rights and no stated or suggested use of products can be taken to recommend any such infringement.

Worldwide sales contacts

Europe

Amphenol Ltd, UK
Thanet Way, Whitstable
Kent, CT5 3JF
United Kingdom
T: +44 1227 773 200

Amphenol Socapex, France
948, promenade de l'Arve BP29
74311 Thyez Cedex
France
T: +33 4 50 89 28 00

Amphenol Air LB, France
10 rue champ Raymond
08110 Carignan
France
T: +33 3 24 22 32 70

Amphenol AIR LB GmbH, Germany
Am Kleinbahnhof 4
66740 Saarlouis
Germany
T: +49 6831 981 00

Amphenol Nordic
T: +46 702 129 200

Amphenol Switzerland and South Centre
Switzerland, Slovenia, Serbia, Montenegro, Yugoslavia, Greece, Bulgaria
948, promenade de l'Arve BP29
74311 Thyez Cedex
France
T: +33 4 50 89 28 00

Amphenol Italy
Via Barbaiana n.5
20020 Lainate, Milano
Italy
T: +39 293 254 214

Amphenol Benelux
Zadelmaker 121 NL
2401 PD Alphen aan den Rijn
The Netherlands
T: +31 172 444 903

Amphenol Iberica
Edificio Burgosol, Oficina nr 55
Comunidad de Madrid,
35 bis Las Rozas (Madrid)
Spain
T: +34 91 640 73 06

Amphenol Poland and Central East Europe
Austria, Poland, Czech Republic, Slovakia, Romania
Wiener gasse 68
2380 Perchtoldsdorf
Austria
T: +43 699 10396 071

North America

Amphenol PCD USA
72 Cherry Hill Drive
Beverly, MA. 01915-1065
USA
T: +1 978 624 3400

Amphenol Canada Corporation
605 Milner Avenue
Toronto, Ontario
Canada
M1B 5X6
T: +1 416 291 4401

Asia

Amphenol Daeshin, Korea
558 SongNae-2 Dong, SoSa-Gu,
Bucheon City, Gyeonggi-do
422-040, Korea
T: +82 32 610 3800

Amphenol Interconnect India Private Limited
105 Bhosari Industrial Area
Pune 411 026
India
T: +91 203 068 8304

Amphenol Japan
471-1 Deba, Ritto-City
Shiga 520-3041
Japan
T: +81 77 553 8501

Amphenol PCD CO Ltd, China
Building 21, 1st Liao Keng
Industrial Zone, Shi Yan Street
Bao An District, Shenzhen 518108
China
T: +86 755 8173 8000

Other areas

Amphenol Argentina
Av. Callao 930 2do piso Oficina B
"Plaza" C1023 – AAP, Buenos Aires
Argentina
T: +54 11 4815 6886

Amphenol Australia Pty Ltd
22 Industry Boulevard
Carrum Downs, Victoria 3201
Australia

Amphenol Do Brazil
Rua Diogo Moreira
132, 20 andar, rooms 2001-2-3
CEP: 05423 010 Sao Paulo SP
Brazil
T: +55 11 3815 1003

Bar-Tec Ltd, Israel
3 Hagavish Street, Kfir-Barkan Bldg
East Industrial Zone
Kfar-Sava, 44102
Israel
T: +972 9 764 4100

Amphenol Mexico
Prolongacion Reforma 61-6 B2
Col Passo de las Lomas
CP013130
Mexico
T: +52 55 5258 9984

Amphenol Russia
Yaroslavskaja Street 8
129164 Moscow
Russia
T: +7 495 937 6341

Amphenol South Africa
30 Impala Road
2196 Chislehurst
Sandton
South Africa
T: +27 11 783 9517

Amphenol Turkey
Sun Plaza 15 Kat:
15 Maslak Hah. Bilim
Sok. No.5
Sisli/Istanbul, 34398
Turkey
T: +90 212 367 92 19

Amphenol®

For more information call **+44 (0)1227 773200**

Amphenol Ltd Thanet Way Whitstable Kent CT5 3JF | Email: terrapi@amphenol.co.uk | www.amphenol.co.uk

December 2014