



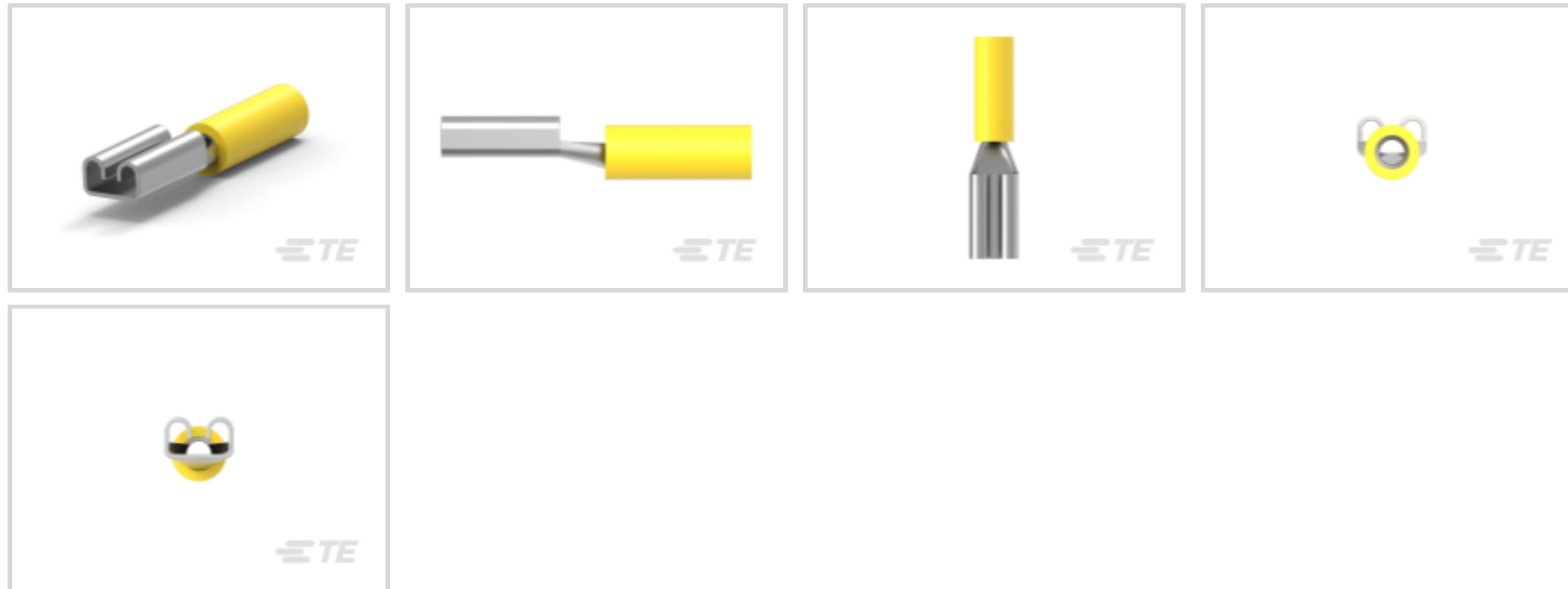
FASTON

TE Internal #: 165619-2

Quick Disconnects, Receptacle, 26 – 22 AWG Wire Size, .14 – .35 mm² Wire Size, 278 – 700 CMA Wire Size, Mating Tab Width .11 in [2.79 mm], Straight

[View on TE.com >](#)

Terminals & Splices > Quick Disconnects



Quick Disconnect Terminal Type: **Receptacle**

Wire Size: **278 – 700 CMA**

Mating Tab Width: **2.79 mm [.11 in]**

Features

Product Type Features

Terminates To	Wire & Cable
Wire Stop	No
Insertion Force	Normal
Sealable	No

Configuration Features

Connection Capacity	Single
---------------------	--------

Electrical Characteristics

Voltage (Max)	300 V
---------------	-------

Body Features

Insulation Material	Nylon
---------------------	-------

Contact Features

Quick Disconnect Terminal Type	Receptacle
Mating Tab Width	2.79 mm[.11 in]
Mating Tab Thickness	.79 mm[.031 in]
Terminal Orientation	Straight



Contact Base Material	Brass
Terminal Plating Material	Tin
Crimp Type	Compression
Barrel Type	Closed

Mechanical Attachment

Mating Retention Type	Dimple
Wire Insulation Support	With

Dimensions

Accepts Wire Insulation Diameter Range	2.08 mm [.082 in]
Overall Length	17.4 mm [.685 in]
Wire Size	278 – 700 CMA

Usage Conditions

Insulation Option	Partially Insulated
Operating Temperature Range	105 °C [221 °F]

Packaging Features

Packaging Quantity	1000
Packaging Method	Loose Piece

Other

Barrel Color	Yellow
--------------	--------

Product Compliance

[For compliance documentation, visit the product page on TE.com>](#)

EU RoHS Directive 2011/65/EU	Compliant
EU ELV Directive 2000/53/EC	Compliant
China RoHS 2 Directive MIIT Order No 32, 2016	No Restricted Materials Above Threshold
EU REACH Regulation (EC) No. 1907/2006	Current ECHA Candidate List: JUNE 2022 (224) Candidate List Declared Against: JUNE 2022 (224) Does not contain REACH SVHC
Halogen Content	Low Halogen - Br, Cl, F, I < 900 ppm per homogenous material. Also BFR/CFR/PVC Free
Solder Process Capability	Not applicable for solder process capability

Product Compliance Disclaimer

This information is provided based on reasonable inquiry of our suppliers and represents our current actual knowledge based on the information they provided. This information is subject to change. The part numbers that TE has identified as EU RoHS compliant have a maximum concentration of 0.1% by weight in homogenous materials for lead, hexavalent chromium, mercury, PBB, PBDE, DBP, BBP, DEHP, DIBP, and 0.01% for cadmium, or qualify for an exemption to these limits as defined in the Annexes of Directive 2011/65/EU (RoHS2). Finished electrical and electronic equipment products will be CE marked as required by Directive 2011/65/EU. Components may not be CE marked. Additionally, the part numbers that TE has identified as EU ELV compliant have a maximum concentration of 0.1% by weight in homogenous materials for lead, hexavalent chromium, and mercury, and 0.01% for cadmium, or qualify for an exemption to these limits as defined in the Annexes of Directive 2000/53/EC (ELV). Regarding the REACH Regulation, the information TE provides on SVHC in articles for this part number is based on the latest European Chemicals Agency (ECHA) 'Guidance on requirements for substances in articles' posted at this URL: <https://echa.europa.eu/guidance-documents/guidance-on-reach>

Compatible Parts



TE Part # 7-1377174-7
SMP 0-0165619-2

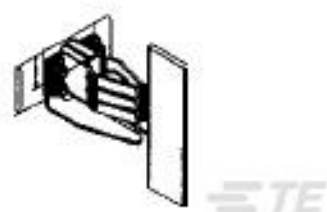


TE Part # 169485
DAHT PIDG PG 26-22 ASSY

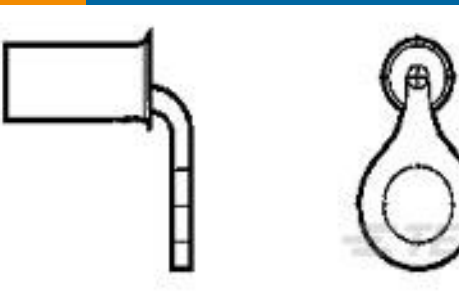
Customers Also Bought



TE Part #745230-4
20 DF SOCKET CONTACT L.P.



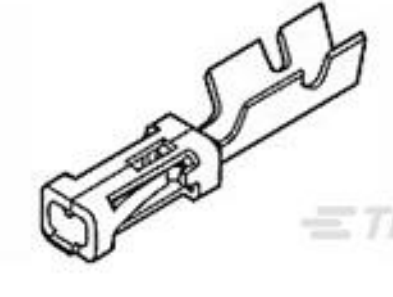
TE Part #213647-1
AMP PDS BUSPLUG 125F3 SER



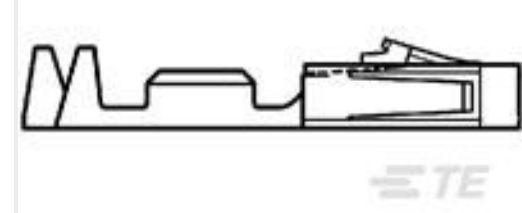
TE Part #321262
TERM, SOLIS, RT, 22-16, #6, 90 BEND



TE Part #1445049-5
FREE HANG SNGL ROW HSG 5 POS



TE Part #5-103171-4
MOD IV RECP PLTD 30 DPLX LF



TE Part #104480-8
SHORT POINT RCP CONT LP



TE Part #5-2176370-3
RQ 0603 1K5 0.1% 10PPM 5K RL



TE Part #34112
SOLIS R 22-16COMM 22-18MIL 10

Documents

Product Drawings
110 PIDG FASTON REC
English



CAD Files

3D PDF

English

Customer View Model

[ENG_CVM_165619-2_E.2d_dxf.zip](#)

English

Customer View Model

[ENG_CVM_165619-2_E.3d_igs.zip](#)

English

Customer View Model

[ENG_CVM_165619-2_E.3d_stp.zip](#)

English

By downloading the CAD file I accept and agree to the [Terms and Conditions](#) of use.

Product Specifications

Application Specification

English

Product Environmental Compliance

Product Compliance

English

Product Compliance

English