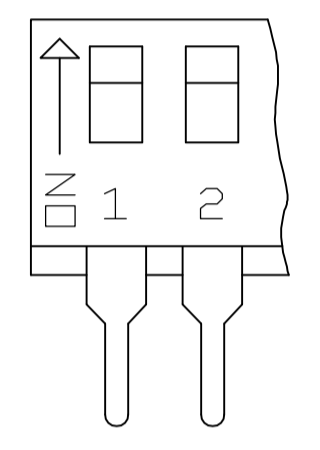
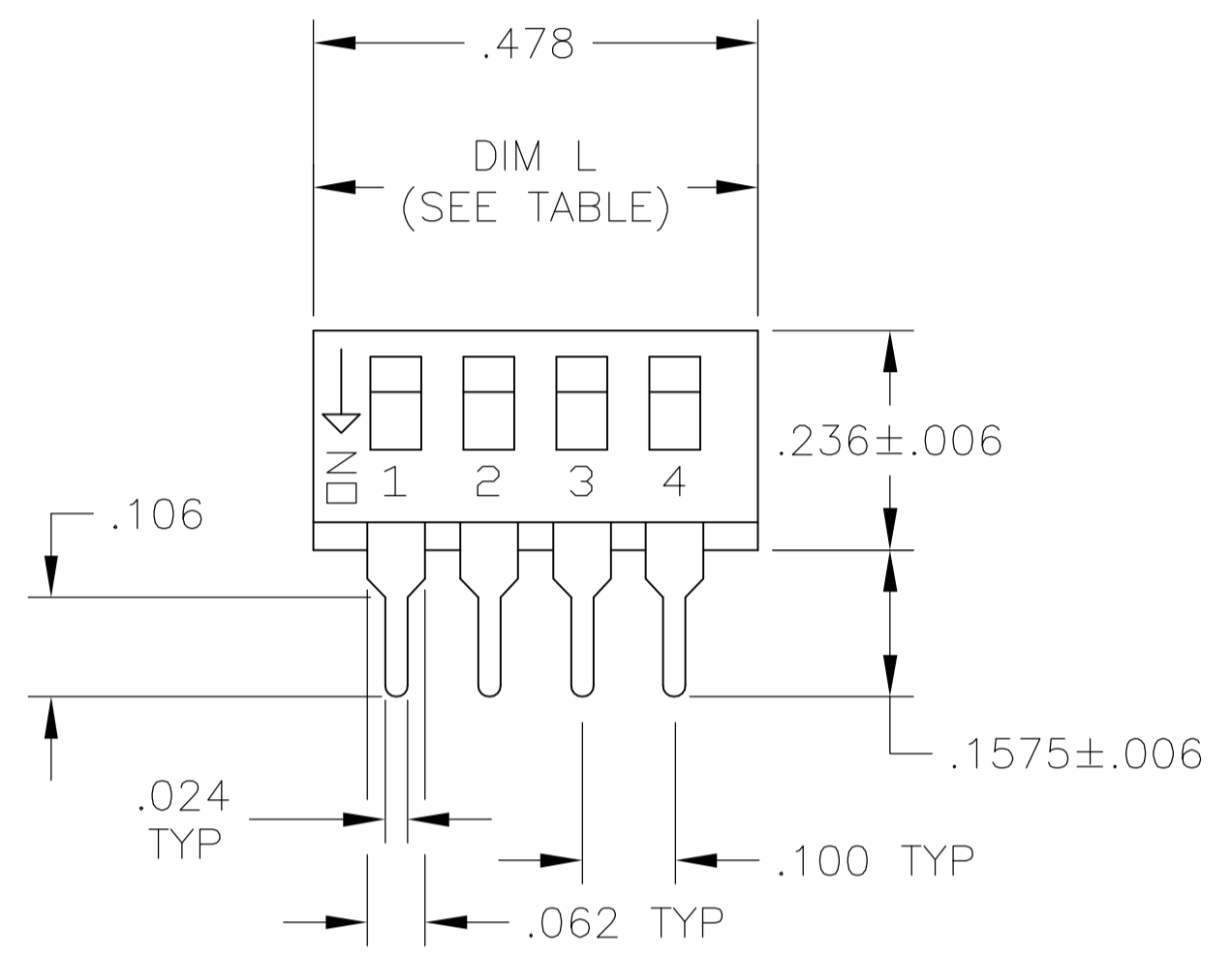
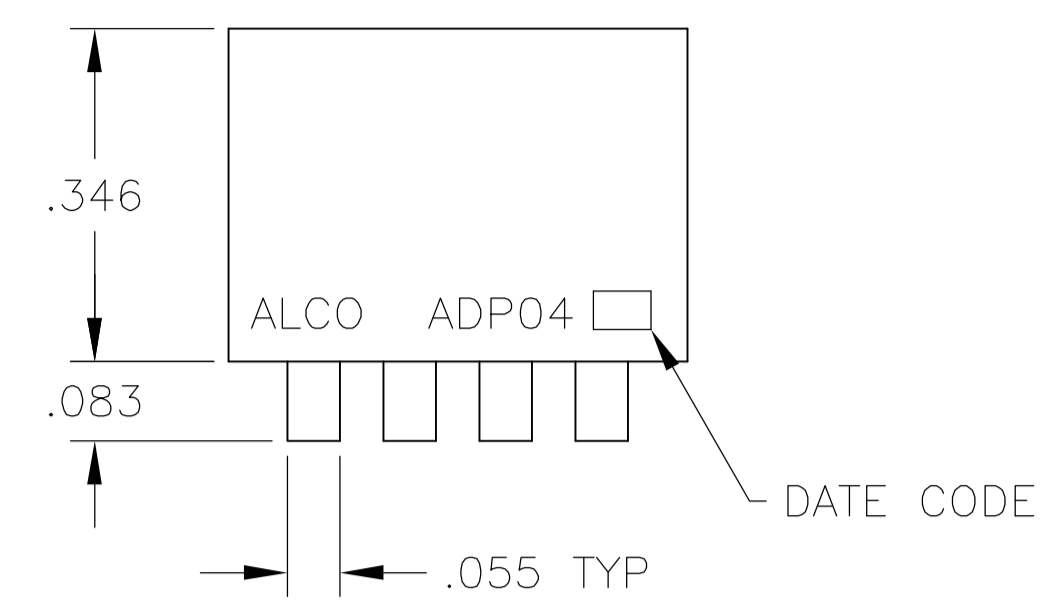
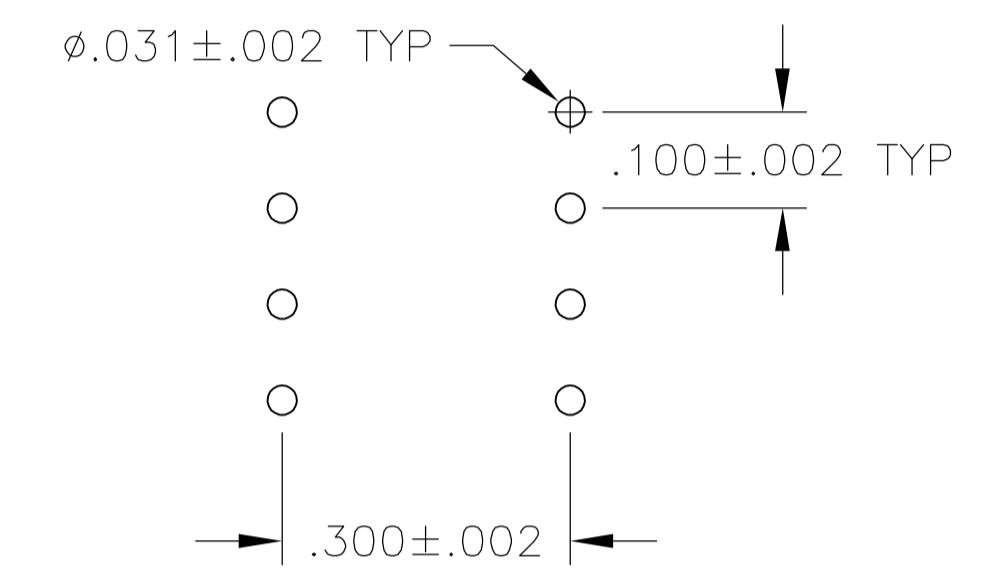
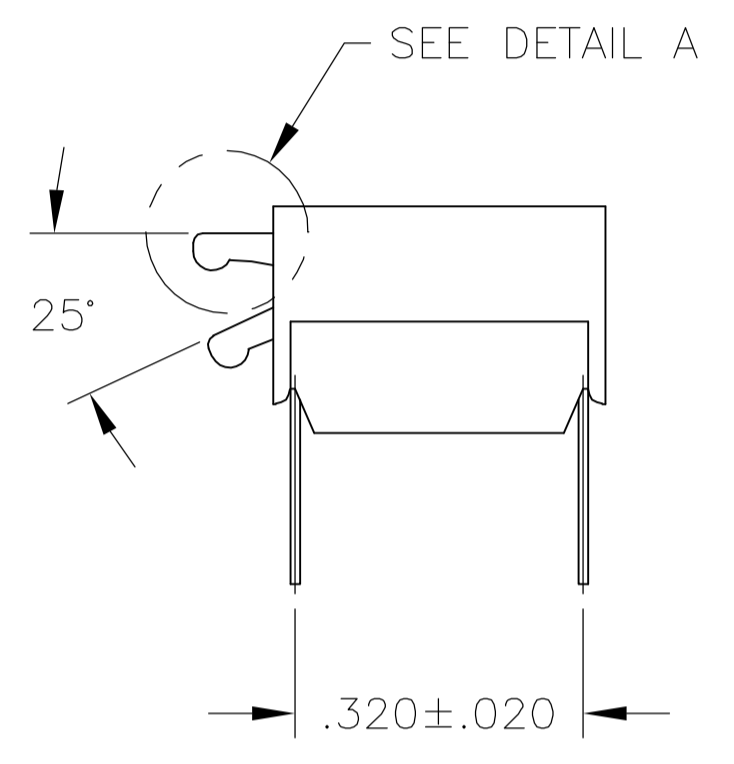


DETAIL A  
SCALE: 10/1



ADPA

ADP



RECOMMENDED HOLE LAYOUT

SPECIFICATIONS:

MATERIAL:  
CASE: PPS 94V-0, BLACK  
COVER: PPS 94V-0, BLACK  
ACTUATOR: NYLON PA6T 94V-0, WHITE  
MOVING CONTACT: COPPER ALLOY, GOLD OVER NICKEL PLATE.  
FIXED CONTACT/TERMINAL: COPPER ALLOY, GOLD OVER NICKEL PLATE.

ELECTRICAL:  
CONTACT RATING: 0.4 VA MAX. @ 20 VDC OR PEAK AC.  
INITIAL CONTACT RESISTANCE: 50 MILLIOHMS MAX.  
INSULATION RESISTANCE: 100 MEGOHMS MIN. @ 100 VDC.  
DIELECTRIC STRENGTH: 500 VAC. LIFE EXPECTANCY: 1000 CYCLES MIN.

MECHANICAL:  
ACTUATION FORCE: 800g MAX.

ENVIRONMENTAL:  
OPERATING TEMPERATURE: -22°F TO +185°F (-30°C TO +85°C).  
STORAGE TEMPERATURE: -49°F TO +212°F (-45°C TO +100°C).  
SOLDER HEAT RESISTANCE PER 109-202 COND B (THRU-HOLE) & 109-201. COND B (SMT) SWITCH TO BE IN THE "OFF" POSITION.  
SOLDERABILITY PER JIS C 0050 & JIS C 0053

NOTES:

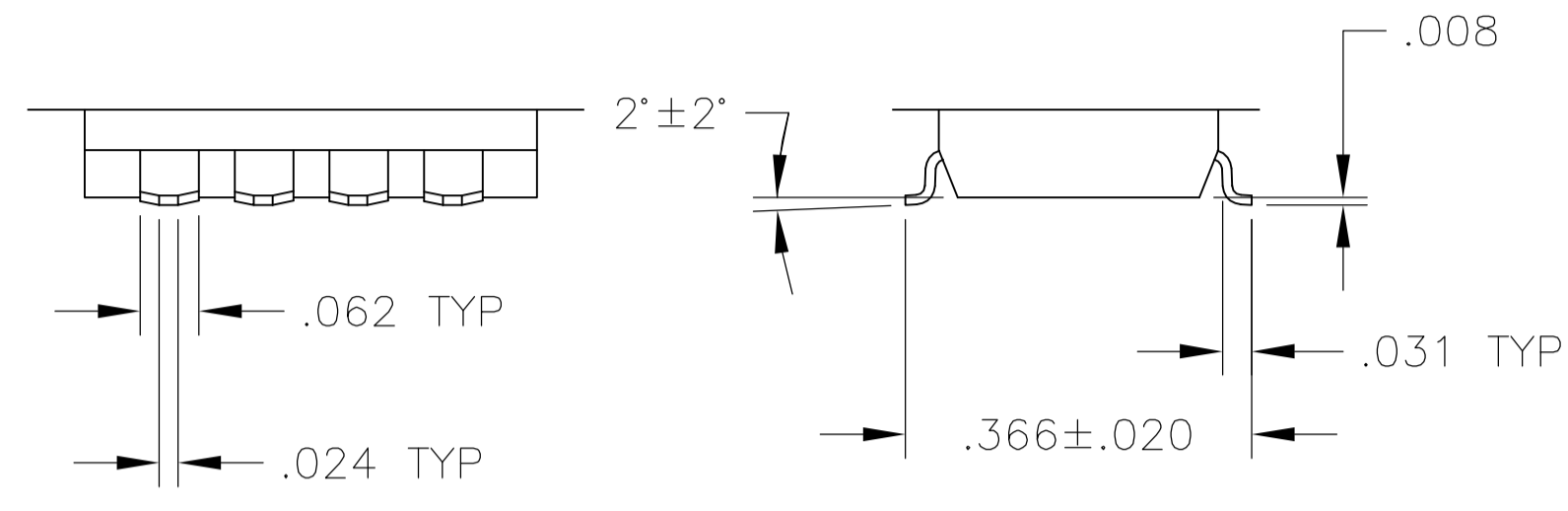
- CONTACT PRESSURE: 280,000 PSI.
- CLEANING: AQUEOUS SOLUTION OR SOLVENT.
- PACKAGING OPTIONS- CLEAR TUBES OR TAPE AND REEL PER EIA-481 SWITCH SUPPLIED IN THE "OFF" POSITION UNLESS "ON" IS SPECIFIED IN THE ALCO PART NUMBER (SEE PART NUMBER TABLE FOR ALL OPTIONS)
- TOP & FRONT SURFACES TO BE CLEARLY MARKED AS SHOWN.
- SWITCHES TO BE BLACK WITH WHITE ACTUATORS AND MARKINGS.
- ALL MATERIAL AND FINISHES SHALL COMPLY WITH EU DIRECTIVE 2002/95/EC OF 27JAN2003 (ROHS)

SEE SHEET 2 FOR SURFACE MOUNT OPTIONS AND DIMENSIONS.

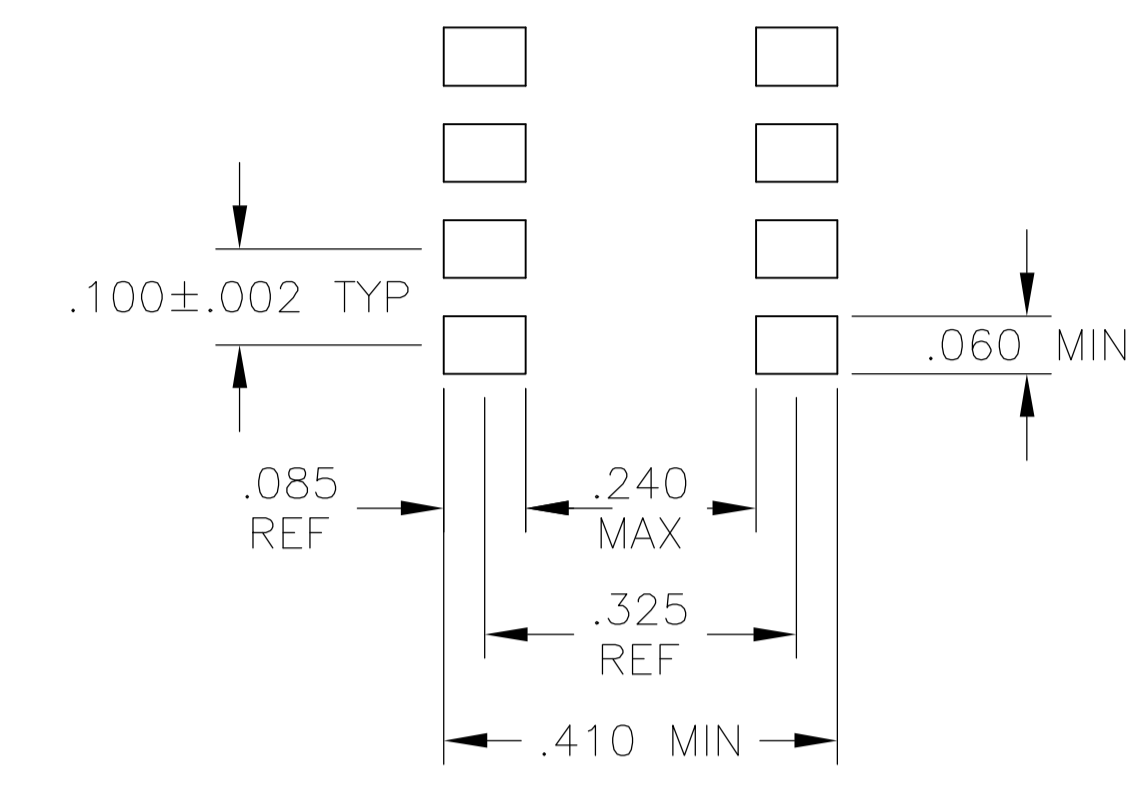
DESCRIPTION	QTY	UNIT	PRICE	PART NUMBER	DATE
TUBE	10		1.078	ADPA10SA04	6-1571999-4
TUBE	10		1.078	ADPA10S04	6-1571999-3
TUBE	10		1.078	ADPA1004	6-1571999-2
TUBE	9		0.978	ADPA09SA04	6-1571999-1
TUBE	9		0.978	ADPA09S04	6-1571999-0
TUBE	9		0.978	ADPA0904	5-1571999-9
TUBE	8		0.878	ADPA08SA04	5-1571999-8
TUBE	8		0.878	ADPA08S04	5-1571999-7
TUBE	8		0.878	ADPA0804	5-1571999-6
TUBE	7		0.778	ADPA07SA04	5-1571999-5
TUBE	7		0.778	ADPA07S04	5-1571999-4
TUBE	7		0.778	ADPA0704	5-1571999-3
TUBE	6		0.678	ADPA06SA04	5-1571999-2
TUBE	6		0.678	ADPA06S04	5-1571999-1
TUBE	6		0.678	ADPA0604	5-1571999-0
TUBE	5		0.578	ADPA05SA04	4-1571999-9
TUBE	5		0.578	ADPA05S04	4-1571999-8
TUBE	5		0.578	ADPA0504	4-1571999-7
TUBE	4		0.478	ADPA04SA04	4-1571999-6
TUBE	4		0.478	ADPA04S04	4-1571999-5
TUBE	4		0.478	ADPA0404	4-1571999-4
TUBE	2		0.278	ADPA02SA04	4-1571999-3
TUBE	2		0.278	ADPA02S04	4-1571999-2
TUBE	2		0.278	ADPA0204	4-1571999-1
TAPE & REEL SWITCH ON	10		1.078	ADP10STRON04	4-1571999-0
TAPE & REEL	10		1.078	ADP10STR04	3-1571999-9
TUBE	10		1.078	ADP10SA04	3-1571999-8
TUBE	10		1.078	ADP10S04	3-1571999-7
TUBE	10		1.078	ADP1004	3-1571999-6
TAPE & REEL SWITCH ON	9		0.978	ADP09STRON04	3-1571999-5
TAPE & REEL	9		0.978	ADP09STR04	3-1571999-4
TUBE	9		0.978	ADP09SA04	3-1571999-3
TUBE	9		0.978	ADP09S04	3-1571999-2
TUBE	9		0.978	ADP0904	3-1571999-1
TAPE & REEL SWITCH ON	8		0.878	ADP08STRON04	3-1571999-0
TAPE & REEL	8		0.878	ADP08STR04	2-1571999-9
TUBE	8		0.878	ADP08SA04	2-1571999-8
TUBE	8		0.878	ADP08S04	2-1571999-7
TUBE	8		0.878	ADP0804	2-1571999-6
TAPE & REEL SWITCH ON	7		0.778	ADP07STRON04	2-1571999-5
TAPE & REEL	7		0.778	ADP07STR04	2-1571999-4
TUBE	7		0.778	ADP07SA04	2-1571999-3
TUBE	7		0.778	ADP07S04	2-1571999-2
TUBE	7		0.778	ADP0704	2-1571999-1
TAPE & REEL SWITCH ON	6		0.678	ADP06STRON04	2-1571999-0
TAPE & REEL	6		0.678	ADP06STR04	1-1571999-9
TUBE	6		0.678	ADP06SA04	1-1571999-8
TUBE	6		0.678	ADP06S04	1-1571999-7
TUBE	6		0.678	ADP0604	1-1571999-6
TAPE & REEL SWITCH ON	5		0.578	ADP05STRON04	1-1571999-5
TAPE & REEL	5		0.578	ADP05STR04	1-1571999-4
TUBE	5		0.578	ADP05SA04	1-1571999-3
TUBE	5		0.578	ADP05S04	1-1571999-2
TUBE	5		0.578	ADP0504	1-1571999-1
TAPE & REEL SWITCH ON	4		0.478	ADP04STRON04	1-1571999-0
TAPE & REEL	4		0.478	ADP04STR04	1571999-9
TUBE	4		0.478	ADP04SA04	1571999-8
TUBE	4		0.478	ADP04S04	1571999-7
TUBE	4		0.478	ADP0404	1571999-6
TAPE & REEL SWITCH ON	2		0.278	ADP02STRON04	1571999-5
TAPE & REEL	2		0.278	ADP02STR04	1571999-4
TUBE	2		0.278	ADP02SA04	1571999-3
TUBE	2		0.278	ADP02S04	1571999-2
TUBE	2		0.278	ADP0204	1571999-1
PACKAGING	Pole	Dim L	Dim T & B	P/N	TYCO P/N

THIS DRAWING IS A CONTROLLED DOCUMENT.

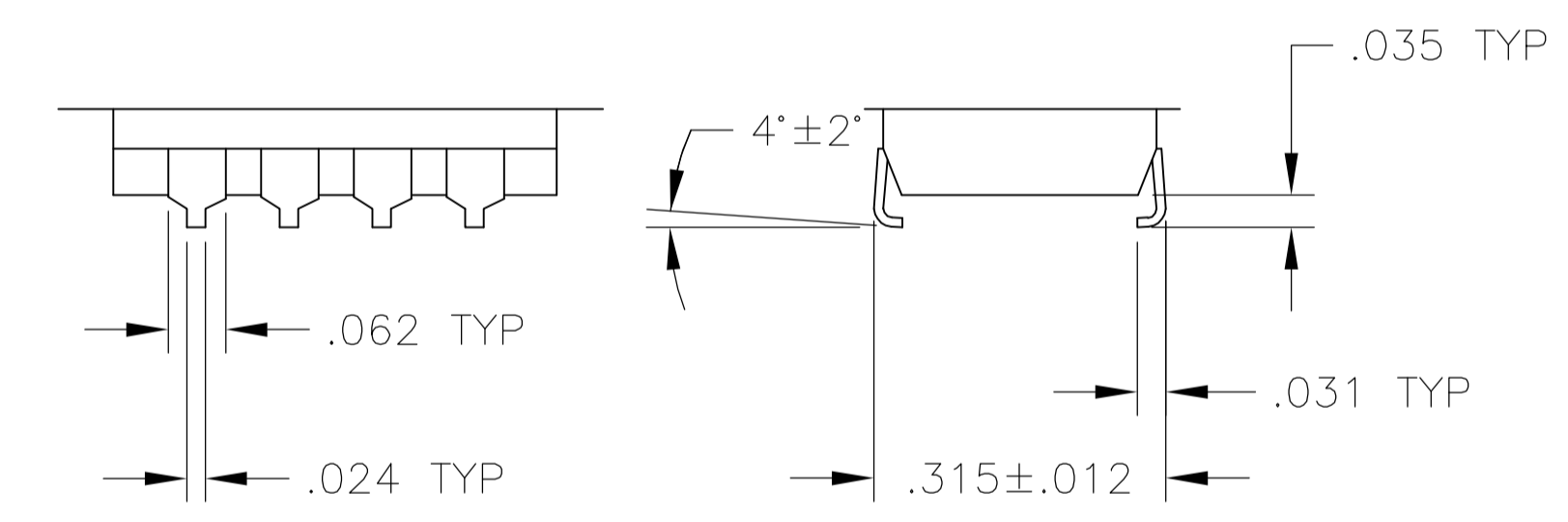
DIMENSIONS: INCHES	TOLERANCES UNLESS OTHERWISE SPECIFIED:	DIN M. BINNER 14FEB05	tyco Electronics	Tyco Electronics Corporation Harrisburg, Pa 17105-3608
0 PLC ± .010	1 PLC ± .010	CHK M. SARVER 15FEB05	NAME	DIP SWITCH ASSEMBLY ADP/PA SERIES
2 PLC ± .010	3 PLC ± .010	APVD M. SARVER 15FEB05	PRODUCT SPEC	
4 PLC ± .010	ANGLES ± .1°	FINISH	APPLICATION SPEC	
MATERIAL	FINISH	WEIGHT	SIZE	CAGE CODE
			A1	00779
			1571999	
			CUSTOMER DRAWING	SCALE 1:1 SHEET 1 OF 2 REV B1



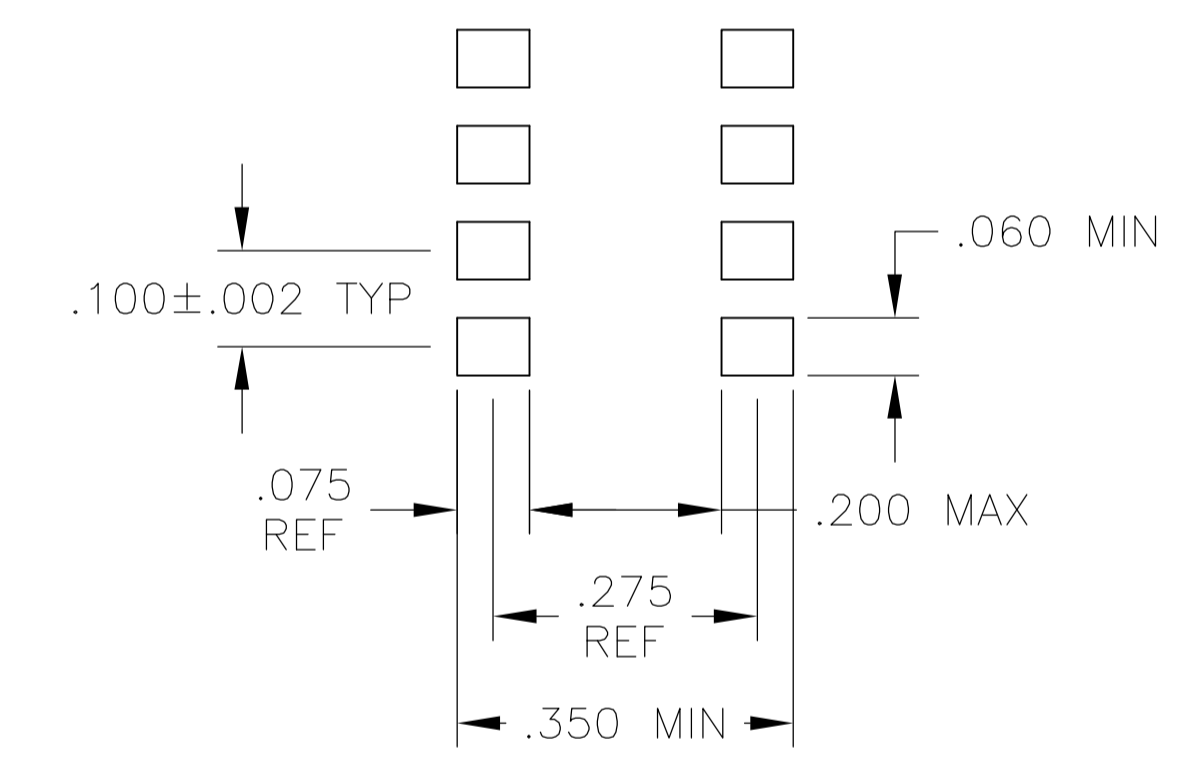
SURFACE MOUNT  
S TERMINATION



RECOMMENDED PAD LAYOUT  
SURFACE MOUNT  
"S" TERMINATION



SURFACE MOUNT  
SA TERMINATION



RECOMMENDED PAD LAYOUT  
SURFACE MOUNT  
"SA" TERMINATION

THIS DRAWING IS A CONTROLLED DOCUMENT.		DWG	M. BINNER	14FEB05	<b>tyco</b> Electronics	Tyco Electronics Corporation Harrisburg, Pa 17105-3608		
DIMENSIONS: INCHES		CHK	M. SARVER	15FEB05		APVD	M. SARVER	15FEB05
TOLERANCES UNLESS OTHERWISE SPECIFIED:		NAME		DIP SWITCH ASSEMBLY ADP/PA SERIES				
0 PLG ± -		PRODUCT SPEC		-				
1 PLG ± -		APPLICATION SPEC		-				
2 PLG ± -		SIZE		CAGE CODE		DRAWING NO		RESTRICTED TO
3 PLG ± .010		WEIGHT		A1 00779		C=1571999		-
4 PLG ± -	MATERIAL		CUSTOMER DRAWING		SCALE		1:1	
ANGLES ± ± 1°	FINISH		SHEET		2		2	
				REV		B1		