

928193-1 ✓ ACTIVE

FASTIN-FASTON | FASTIN-FASTON 110

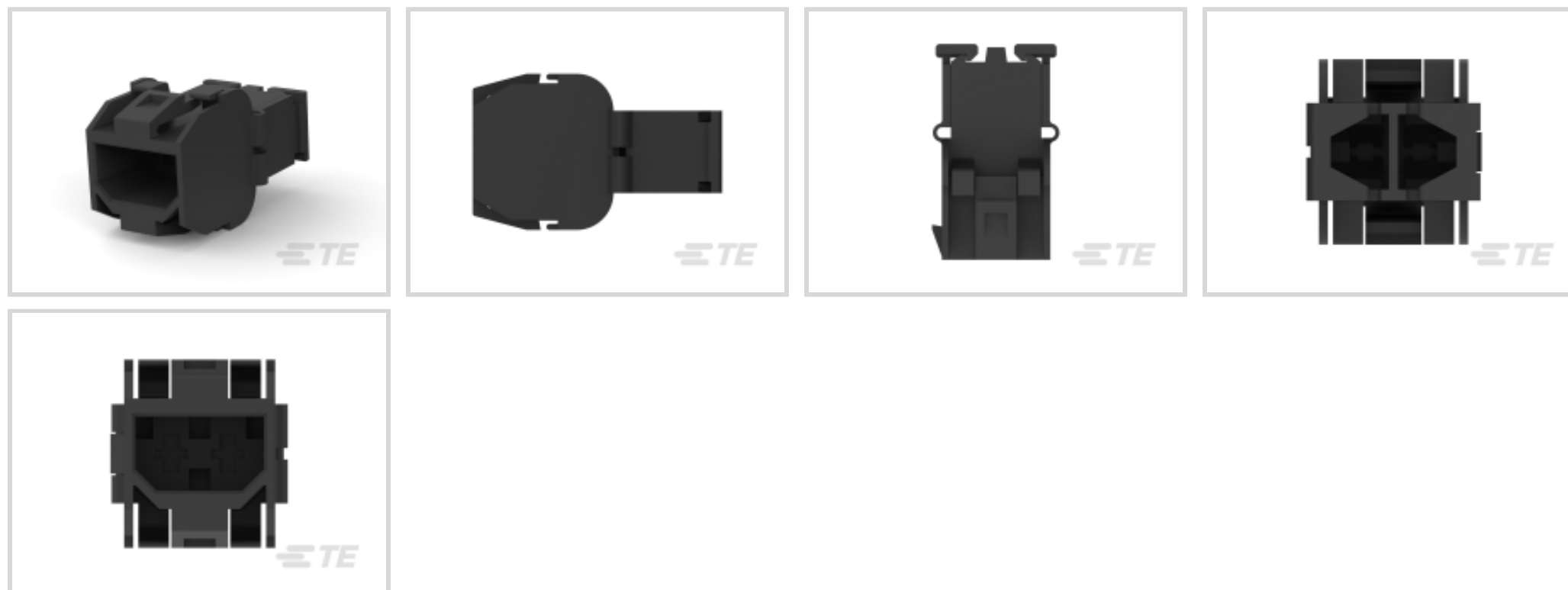
TE Internal #: 928193-1

Crimp Terminal Housings, Tab, Tab Housing, 2 Position, Flag, Black, Polyester, Contact Mating Retention, Mating Alignment, FASTIN-FASTON 110

[View on TE.com >](#)



Terminals & Splices > Terminal Housings, Insulation Sleeves & Blocks > Crimp Terminal Housings



Terminal Type: **Tab**

Connector & Housing Type: **Tab Housing**

Number of Positions: **2**

Terminal Orientation: **Flag**

Primary Product Color: **Black**

Features

Product Type Features

Sealable	No
Connector & Contact Terminates To	Wire & Cable
Connector & Housing Type	Tab Housing

Configuration Features

Number of Positions	2
---------------------	---

Body Features

Primary Product Color	Black
-----------------------	-------

Contact Features

Terminal Type	Tab
Terminal Orientation	Flag
Contact Mating Retention	With

Mechanical Attachment

Mating Retention Type	Latch
-----------------------	-------



Mating Alignment	With
------------------	------

Connector Mounting Type	Panel Mount
-------------------------	-------------

Housing Features

Housing Material	Polyester
------------------	-----------

Centerline (Pitch)	5 mm[.196 in]
--------------------	---------------

Dimensions

Product Length	26 mm[1.02 in]
----------------	----------------

Usage Conditions

Operating Temperature Range	-40 – 105 °C[-40 – 221 °F]
-----------------------------	----------------------------

Packaging Features

Packaging Quantity	800
--------------------	-----

Packaging Method	Carton
------------------	--------

Product Compliance

[For compliance documentation, visit the product page on TE.com>](#)

EU RoHS Directive 2011/65/EU	Compliant
------------------------------	-----------

EU ELV Directive 2000/53/EC	Compliant
-----------------------------	-----------

China RoHS 2 Directive MIIT Order No 32, 2016	No Restricted Materials Above Threshold
---	---

EU REACH Regulation (EC) No. 1907/2006	Current ECHA Candidate List: JAN 2023 (233) Candidate List Declared Against: JAN 2023 (233) Does not contain REACH SVHC
--	---

Halogen Content	Not Low Halogen - contains Br or Cl > 900 ppm.
-----------------	--

Solder Process Capability	Not applicable for solder process capability
---------------------------	--

Product Compliance Disclaimer

This information is provided based on reasonable inquiry of our suppliers and represents our current actual knowledge based on the information they provided. This information is subject to change. The part numbers that TE has identified as EU RoHS compliant have a maximum concentration of 0.1% by weight in homogenous materials for lead, hexavalent chromium, mercury, PBB, PBDE, DBP, BBP, DEHP, DIBP, and 0.01% for cadmium, or qualify for an exemption to these limits as defined in the Annexes of Directive 2011/65/EU (RoHS2). Finished electrical and electronic equipment products will be CE marked as required by Directive 2011/65/EU. Components may not be CE marked. Additionally, the part numbers that TE has identified as EU ELV compliant have a maximum concentration of 0.1% by weight in homogenous materials for lead, hexavalent chromium, and mercury, and 0.01% for cadmium, or qualify for an exemption to these limits as defined in the Annexes of Directive 2000/53/EC (ELV). Regarding the REACH Regulation, the information TE provides on SVHC in articles for this part number is based on the latest European Chemicals Agency (ECHA) 'Guidance on requirements for substances in articles' posted at this URL: <https://echa.europa.eu/guidance-documents/guidance-on-reach>

Compatible Parts



TE Part # 964586-1
FF 2P HOUSING TAB POLYESTER
VALOX 357



TE Part # 180924
FF 250 TAB HSG 2P NYLON NAT



TE Part # 180908-5
FF 250 TAB HSG 2P NYLON BLACK



TE Part # 480053-4
FF 250 TAB HSG 1P NYLON BLACK



TE Part # 626065-5
HOUSING 2P .110 FASTIN-ON TAB



TE Part # 4-180924-0
FF 250 TAB HSG 2P NYLON NAT



TE Part # 1-480282-0
FF 250 TAB HSG 6P NYLON BLACK



TE Part # 1-880298-0
FASTON .250 SERIES (6.3 MM)
HOUSING




TE Part # 928122-1
FF TAB HSG 6P NYLON NAT FOR
MOTOR

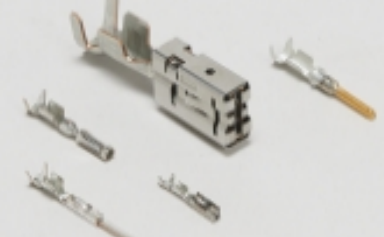


TE Part # 964593-8
FF 250 TAB HSG 4P NYLON NAT

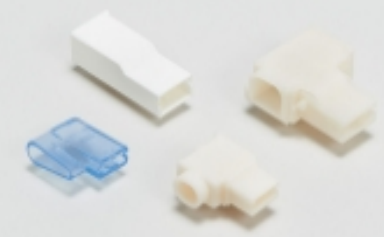
Also in the Series | FASTIN-FASTON 110




Automotive Housings(1)



Automotive Terminals(5)



Crimp Terminal Housings(34)

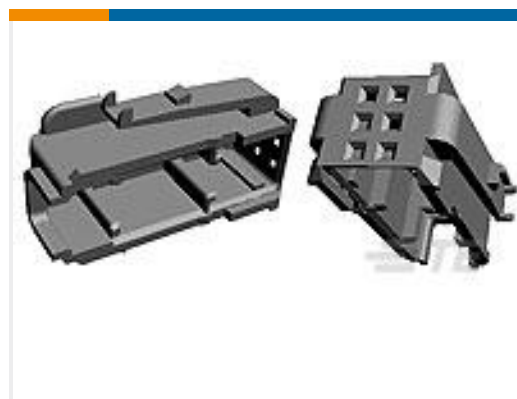
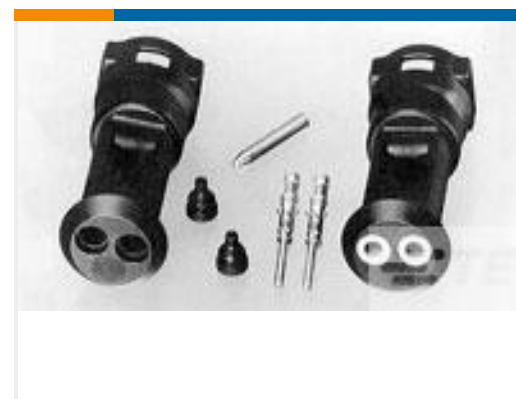


Insertion & Extraction Tools(3)



Quick Disconnects(83)

Customers Also Bought

TE Part #929505-1
TIMER, CONNECTOR HOUSINGTE Part #8-968975-2
MCP2.8 GEH ASSY 21PTE Part #1-962842-1
TAB 2.8x0.8 CONTACT CS SRC SnTE Part #1-2287965-5
6POS, MCON 1.2 LL REC SEALED
2ROWTE Part #5-160491-2
187 FASTON REC 18-14 AWG TPBRTE Part #927838-2
SPT REC 6.3 Contact SRC Sn (LP)TE Part #953382-4
COVER FOR 6W HSG MOS GEN2TE Part #826883-1
2 POS ECONOSEAL PIN HSG ASSYTE Part #4-1904049-7
V23134A0007X942-EV-590

Documents

CAD Files

[3D PDF](#)

[3D](#)

Customer View Model

[ENG_CVM_CVM_928193-1_A_c-928193-1-a.2d_dxf.zip](#)

English

Customer View Model

[ENG_CVM_CVM_928193-1_A_c-928193-1-a.3d_igs.zip](#)



English

Customer View Model

[ENG_CVM_CVM_928193-1_A_c-928193-1-a.3d_stp.zip](#)

English

By downloading the CAD file I accept and agree to the [Terms and Conditions](#) of use.

Datasheets & Catalog Pages

[White Paper: Nylon Discoloration](#)

English

Product Specifications

[Application Specification](#)

English