

1.5mm Header Right Angle

multicomp^{PRO}

RoHS
Compliant

Specifications

Material

Insulator	: Hi-Temp Thermoplastic, rated UL 94V-0
Insulator colour	: White
Contacts	: Phosphor Bronze
Solder Nail	: Brass

Plating

Matte Tin over Nickel underplate overall

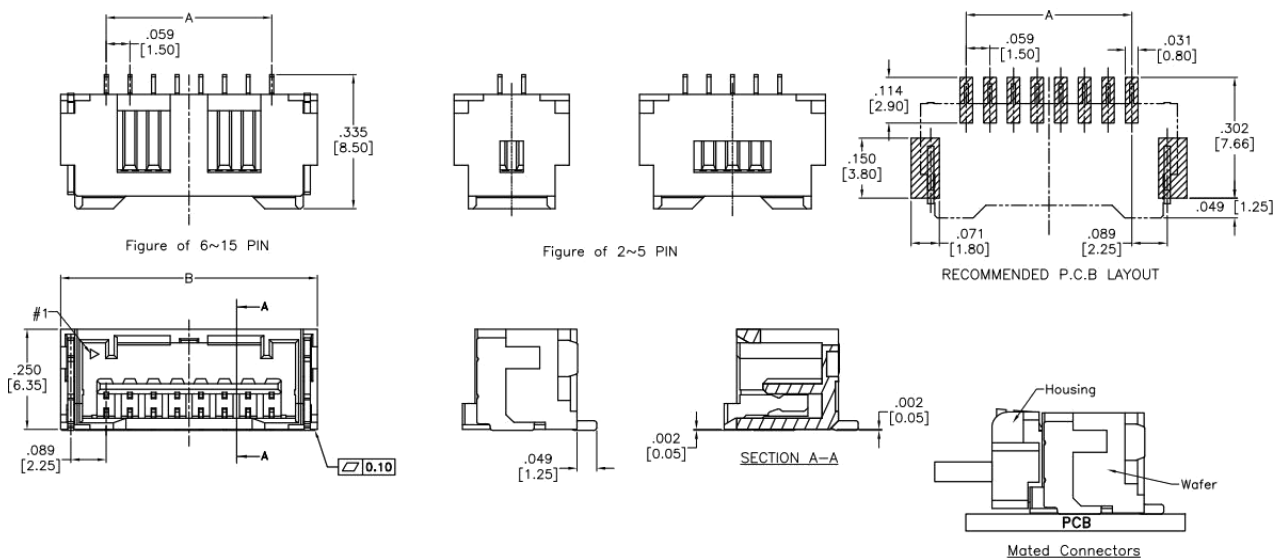
Electrical

Voltage Rating	: 100V AC / DC
Current Rating	: 2A AC / DC
Contact resistance	: 20mΩ max.
Insulation resistance	: 500MΩ min
Dielectric withstanding voltage	: 500V AC for 1 minute

Temperature Rating

Operating Temperature : -40°C to +105°C

Diagram



Dimensions : Millimetres

Newark.com/multicomp-pro
Farnell.com/multicomp-pro
sg.element14.com/b/multicomp-pro

multicomp^{PRO}

1.5mm Header Right Angle

multicomp PRO

Poles: 2 thru 15

A = .059 [1.5] × No. of Spaces

B = .059 [1.5] × No. of Spaces + .228 [5.8]

Part Number Table

Description	Positions	Part Number
Header, Right Angle, Surface Mount, 1.5mm	2	MP011322
	4	MP011323
	5	MP011324
	6	MP011325
	8	MP011326
	9	MP011327
	10	MP011328

Important Notice : This data sheet and its contents (the "Information") belong to the members of the AVNET group of companies (the "Group") or are licensed to it. No licence is granted for the use of it other than for information purposes in connection with the products to which it relates. No licence of any intellectual property rights is granted. The Information is subject to change without notice and replaces all data sheets previously supplied. The Information supplied is believed to be accurate but the Group assumes no responsibility for its accuracy or completeness, any error in or omission from it or for any use made of it. Users of this data sheet should check for themselves the Information and the suitability of the products for their purpose and not make any assumptions based on information included or omitted. Liability for loss or damage resulting from any reliance on the Information or use of it (including liability resulting from negligence or where the Group was aware of the possibility of such loss or damage arising) is excluded. This will not operate to limit or restrict the Group's liability for death or personal injury resulting from its negligence. Multicomp Pro is the registered trademark of Premier Farnell Limited 2019.

Newark.com/multicomp-pro
Farnell.com/multicomp-pro
sg.element14.com/b/multicomp-pro

multicomp PRO