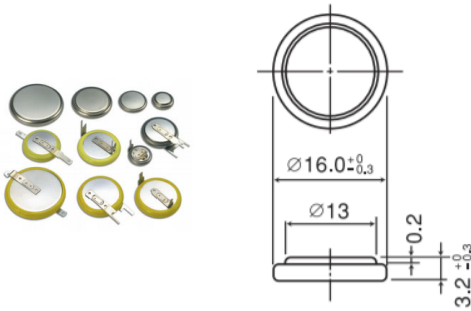


BR1632A

BR Coin-type Lithium Battery for high temperature



Features & Benefits

- In addition to the appeal of our BR series coin-type lithium batteries, poly-carbonmonofluoride cells can operate in the temperatures up to 125°C

Specifications

Nominal voltage		3V
Nominal capacity		120mAh
Continuous drain		0.03mA
Dimensions* 1	Diameter(Max.)	16.0mm
	Height(Max.)	3.2mm
Weight*1		Approx. 1.5g
Operating temperature		-40°C to +125°C

*1 Without tabs.

Applications

Automotive electronic components(TPMS, ETC), hot water and electricity meters, memory backup(host computers, FA equipment), etc.

Terminal types

Please see the documents for the terminal and lead wire settings.
 - [Line up of tab terminal types\(by shape\)](#)
 - [Line up of tab terminal types\(by product number\)](#)

Discharge temperature characteristics

