

Features

- Universal Input 100~240VAC 50/60Hz
- IEC/EN/ANSI/AAMI ES 60601-1 (ED 3.1)
- EMC: IEC60601-1-2:2014(ED 4.0)
- Safety Approvals: cULus / UKCA / CB / PSE / FCC / CE / TUV / RoHS / REACH
- Means of Protection: 2 X MOPP
- Touch Current: < 100µA
- Single Output to 36W
- Regulated Output with Low Ripple Noise
- Safety Agency Requirements and EMI/EMS Certified
- Meets DoE Level VI, Energy Star, ErP Stage 2
- No Load Power Consumption Less Than 0.075W
- IEC C14 Connector



Ideal Power's 44ATM036T-Pxyz 36W AC/DC External Desktop Power Supply (PSU) Series are certified to cULus / UKCA / CB / PSE / FCC / CE / TUV / RoHS / REACH & IEC 60601-1-2:2014(ED 4.0) Standards and comply with (EU) 2019/1782, Level VI Efficiency Regulations. These are primarily used in Medical, ITE, Audio & Video Industries and customised solutions are available upon request.

Models

Model Number	Output Voltage V DC	Output Current A	Output Power W
44ATM036T-P050	5	5	25
44ATM036T-P090	9	4	36
44ATM036T-P120	12	3	36
44ATM036T-P180	18	2	36
44ATM036T-P240	24	1.5	36

General Specification

Type	Switched Mode Power Supply
Input Connector	IEC 320-C14
Output Connection	2.5x5.5x11.0mm +ve inner/centre
Number of Outputs	1
Energy Efficiency Level	VI
Mounting Style	Desktop
MTBF	300,000 hours calculated at 25°C, by Telcoria SR-332
Power Indicator	LED Indicator for power on
Cable Length	1500mm(±30mm)
Cable Type	16AWG/18AWG/20AWG (Depending on model)
Medical Approved	Yes

Mechanical Specifications

Housing Material	Fully Enclosed Plastic Case
Overall Dimensions	100mm x 50mm x 33mm
Overall Length	100mm
Overall Depth	50mm
Overall Width	33mm
Weight	210g

Input Specifications

Rated Input Voltage	100~240Vac ($\pm 10\%$)
Rated Frequency	50/60Hz
Efficiency Level VI	Level VI / Efficiency (EU) 2019/1782
Input Current	1.0A-0.45A
Inrush Current	70A Max. / 230Vac (Cold Start At 25°C, Full Load)
Touch Current	Less than 100 μ A
Input Protection	Internal Primary Current Fuse

Output Specifications

Output Regulation	$\pm 5\%$
Ripple & Noise (max.)	2% Vp-p Max. for Output Voltage @ Full Load
Voltage Tolerance	$\pm 5\%$
Load Regulation	$\pm 5\%$
No Load Power Consumption	<0.075W
Hold-up Time	10mS @ Full Load
Transient Response	0.5mS for 50% Load Change(Typical)
Number of Outputs	1
Insulation Class	I
Dielectric Strength	Primary to Secondary 4,000Vac for 1 Minutes
Isolation Resistance	10M Ω for 500Vdc
Over Circuit Protection	Auto-recovery
Over Voltage Protection	V out * 200% MAX., latch off
Over Current Protection	I out * 200% MAX., auto-recovery

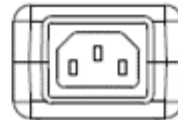
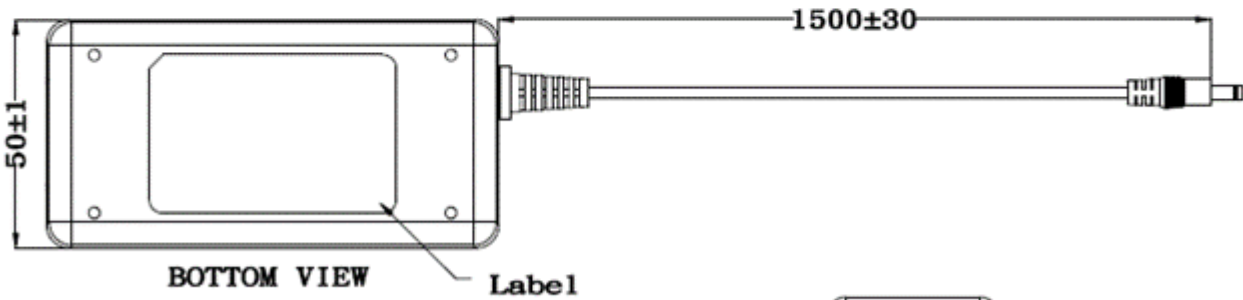
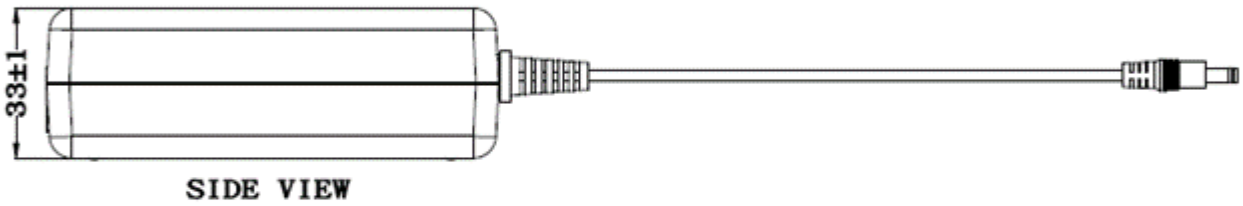
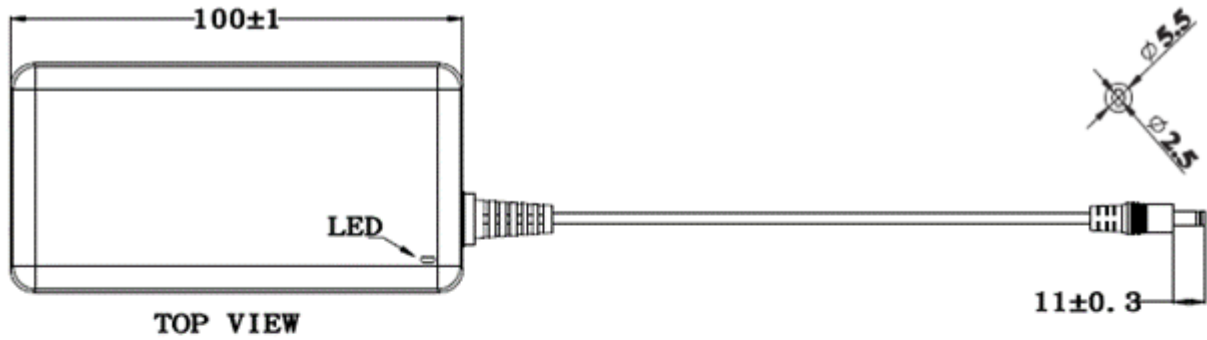
Protection Category

Means of Protection	2 X MOPP
---------------------	----------

Approvals

Compliance/Certifications	CB / cULus/ FCC / CE / UKCA / T-mark / TUV / PSE
Safety Standard	IEC/EN/ANSI/AAMI ES 60601-1
EMC Emission:	Directive 93/42/EEC (EN 60601-1-2)

Mechanical Drawing



200%

100%

iP IDEALPOWER
Medical Power Supply
Model: ATM036T-P050
INPUT: 100-240V~50-60Hz 1A-0.45A
OUTPUT: 5.0V = 5.0A 25.0W
CAUTION:
Risk of electric Shock,
dry location use only.
Indoor use only.

CE FC UK CA RoHS JET

S/N: XXYY ZZZZZZ

http://www.adaptertech.com.tw
MADE IN CHINA ID NO. X XXX

iP IDEALPOWER
Medical Power Supply
Model: ATM036T-P050
INPUT: 100-240V~50-60Hz 1A-0.45A
OUTPUT: 5.0V = 5.0A 25.0W
CAUTION:
Risk of electric Shock,
dry location use only.
Indoor use only.

CE FC UK CA RoHS JET

S/N: XXYY ZZZZZZ

http://www.adaptertech.com.tw
MADE IN CHINA ID NO. X XXX

AC - DC