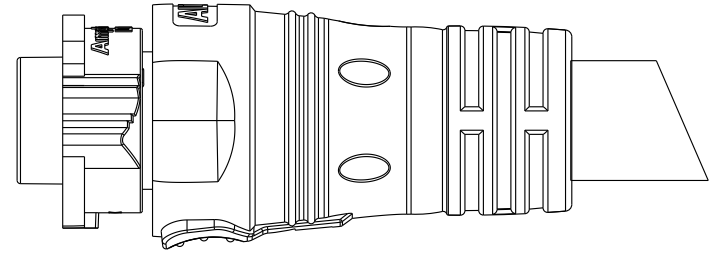
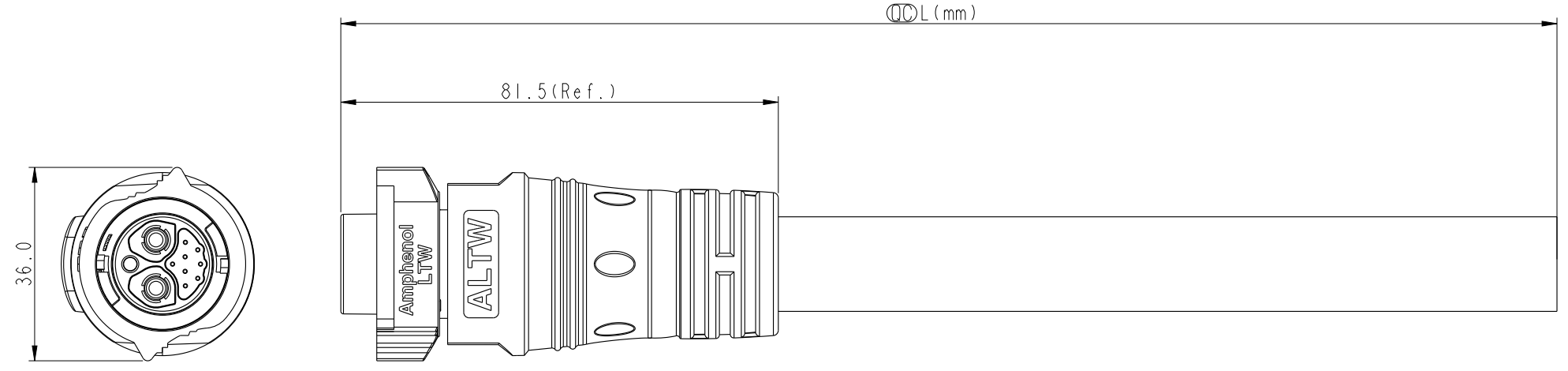




THIS DOCUMENT IS SUBJECT TO CHANGE WITHOUT NOTICE. IT IS CONFIDENTIAL AND A PROPERTY OF Amphenol LTW. DISCLOSURE TO THIRD PARTY HAS TO BE AUTHORIZED BY Amphenol LTW.

REV.	ECN NO.	DATE	SIGN	DESCRIPTION
A	-	2023/02/06	Ouyang	Initial Release
B	C230219	2023/02/20	Ouyang	 x2

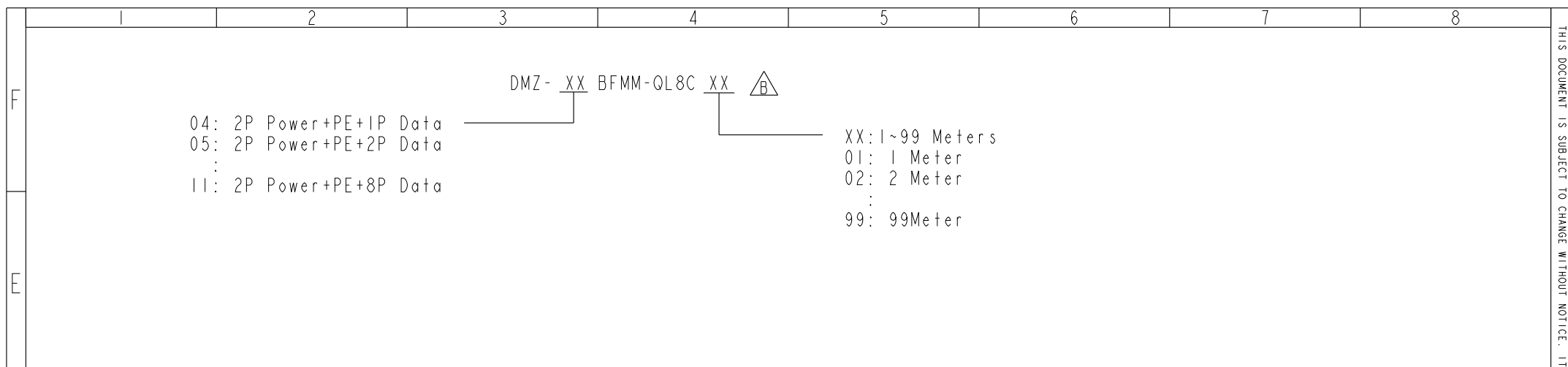


- Note:
- * RoHS Compliant
 - *  Important Dimension
 - * Waterproof Rate: IP68, Mated 1m/24h 
 - * Connector
 - Housing: Thermoplastic, Black
 - Power Pin: Copper Alloy, Silver Plated
 - Data Pin: Copper Alloy, Gold Plated
 - O-Ring: Rubber, Black
 - Nut: Thermoplastic, Black
 - Outer Mold: Thermoplastic, Black
 - * Cable: UL2517, PVC Jacket, Black
 - * Cable Length Tolerance:
 - 1M < L ≤ 3M: +100/-0 mm
 - 3M < L ≤ 5M: +150/-0 mm
 - 5M < L ≤ 10M: ±100 mm
 - 10M < L ≤ 20M: ±200 mm
 - 20M < L ≤ 30M: ±300 mm
 - 30M < L ≤ 99M: ±500 mm

UNIT: mm TOLERANCE ±0.5mm	TITLE X-LOK D SIZE 3+8 CONNECTOR	
	SCALE 1:1	SIZE A4
	REV. B	WC-REV. .0

Amphenol LTW
安費諾亮泰企業股份有限公司

ITEM NO.	DRAWN BY Ouyang	DATE 2023/02/06
DWG NO. DMZ-XXBFMM-QL8CXX	CHECKED BY Jerry	DATE 2023/02/06
CUSTOMER ALTW	APPROVED BY Fred	DATE 2023/02/06



PIN Assigments Fornt view

	<u>2P Power+PE IP Data</u>	<u>2P Power+PE 2P Data</u>	<u>2P Power+PE 3P Data</u>	<u>2P Power+PE 4P Data</u>	<u>2P Power+PE 5P Data</u>	<u>2P Power+PE 6P Data</u>	<u>2P Power+PE 7P Data</u>	<u>2P Power+PE 8P Data</u>
	Pin # Wire (Power) A Black 黑 B White 白 C Green 綠 (Data) 1 Red 紅	Pin # Wire (Power) A Black 黑 B White 白 C Green 綠 (Data) 2 Black 黑 3 Green 綠	Pin # Wire (Power) A Black 黑 B White 白 C Green 綠 (Data) 1 Red 紅 2 Black 黑 3 Green 綠	Pin # Wire (Power) A Black 黑 B White 白 C Green 綠 (Data) 4 Brown 棕 5 White 白 7 Yellow 黃 8 Blue 藍	Pin # Wire (Power) A Black 黑 B White 白 C Green 綠 (Data) 1 Red 紅 4 Brown 棕 5 White 白 7 Yellow 黃 8 Blue 藍	Pin # Wire (Power) A Black 黑 B White 白 C Green 綠 (Data) 2 Black 黑 3 Green 綠 4 Brown 棕 5 White 白 7 Yellow 黃 8 Blue 藍	Pin # Wire (Power) A Black 黑 B White 白 C Green 綠 (Data) 2 Black 黑 3 Green 綠 4 Brown 棕 5 White 白 6 Orange 橘 7 Yellow 黃 8 Blue 藍	Pin # Wire (Power) A Black 黑 B White 白 C Green 綠 (Data) 1 Red 紅 2 Black 黑 3 Green 綠 4 Brown 棕 5 White 白 6 Orange 橘 7 Yellow 黃 8 Blue 藍

UNIT: mm TOLERANCE ±0.5mm		TITLE X-LOK D SIZE 3+8 CONNECTOR		<h1>Amphenol LTW</h1> <p>安費諾亮泰企業股份有限公司</p>	ITEM NO	DRAWN BY Ouyang	DATE 2023/02/06	
		SCALE 1:1	SIZE A4		SHEET 2 OF 2	DWG NO DMZ-XXBFMM-QL8CXX	CHECKED BY Jerry	DATE 2023/02/06
		REV. B	WC-REV. .0		QC: Inspection item	CUSTOMER ALTW	APPROVED BY Fred	DATE 2023/02/06