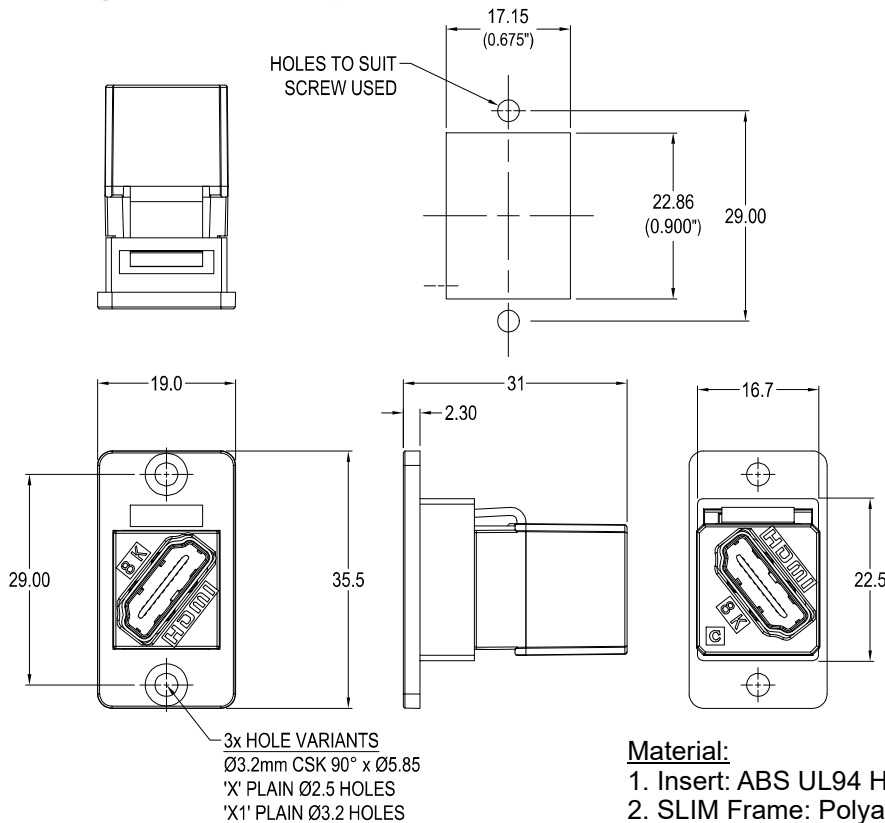
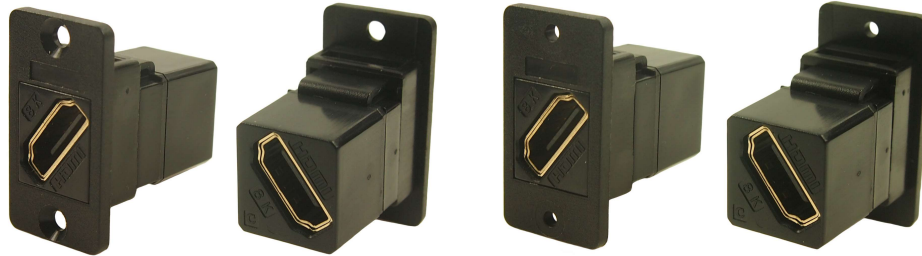




SLIM 8K HDMI FEMALE - FEMALE FRONT MOUNTING FEEDTHROUGH CONNECTOR



VARIANTS

Part No.

- CP30688** SLIM FM 8K HDMI F-F Black plastic frame, CSK holes
- CP30688X** SLIM FM 8K HDMI F-F Black plastic frame, Ø2.5 PLAIN holes
- CP30688X1** SLIM FM 8K HDMI F-F Black plastic frame, Ø3.2 PLAIN holes

Feedthrough Features

- Fits standard rectangular cutout.
- Various hole mounting options.
- No soldering or punch termination. Use standard cable for each connector style.
- Low rear profile.

General:

Please note: Functionality is affected by cable quality, length and cable wiring configuration.
 8K equipment and cables required to achieve 8K resolutions.

Material:

1. Insert: ABS UL94 HB
2. SLIM Frame: Polyamide UL94 V2
3. Shell: Gold plated
4. Contacts: Gold Plated

Specification

1. Shielded HDMI 2.1 F-F
2. Voltage Rating: 40V ac
3. Current Rating: 0.5A max
4. Contact Resistance: 10mΩ max
5. Insulation Resistance: 100MΩ min
6. Dielectric Withstanding Voltage: 500V AC
7. Operating Temperature: -25°C to 85°C

HDMI Specification

1. Version: Shielded HDMI 2.1
2. Supported Video resolution: 7680 x 4320 60Hz
3. HDR Support : Yes
4. HDCP Specification: 1.4; 2.2
5. Chroma Sub Sampling: 4:4:4