

## Type 4X Polyester Junction Box *PJ Series*

Lift-Off Cover/Hinged Door with Screws



### Application

- Designed for use as instrument enclosures, electric, hydraulic or pneumatic control housings, electrical junction boxes or terminal wiring enclosures.
- Provides outstanding insulation and protection where equipment may be hosed down or be very wet.
- Ideal in applications with high temperatures or highly corrosive environments.

### Standards

- UL 508A Type 1, 2, 3, 4, 4X, 12 and 13
- UL 508A Type 6P (see table)
- cULType 1, 2, 3, 4, 4X, 12 and 13 per CSA 22.2 No. 94
- cUL Type 6P (see table) per CSA 22.2 No. 94
- Complies with
  - NEMA Type 1, 2, 3, 4, 4X,12 and 13
  - IEC 60529, IP66 (for IP68 - see table)

### Construction

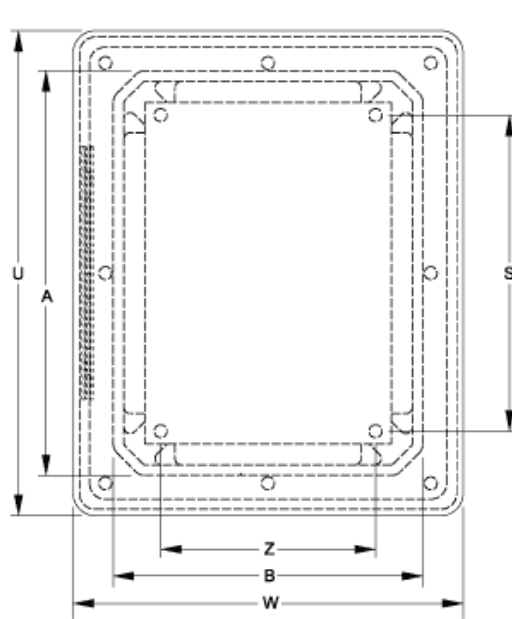
- Molded fiberglass polyester enclosure with matching cover is easily punched, cut, or drilled.
- Enhanced UV inhibitors protect against outdoor weathering.
- Standard JIC sizes under 18" x 16".
- 10-32 threaded brass inserts are provided for optional inner panel or terminal kit mounting. Mounting hardware included.
- Cover is fastened with captive stainless steel screws in threaded brass inserts.
- Captive oil resistant gasket provides a positive seal.
- Threaded brass inserts are provided for mounting feet to the rear of the enclosure.
- Stainless steel mounting brackets and hardware are provided for mounting feet to the rear of the enclosure.
- Operating temperatures between 130°C and -40°C (266°F to -40°F).
- Impact index of 6.78J (5 ft/lb).
- For corrosion resistance information, please refer to table in the Technical Information section.

### Finish

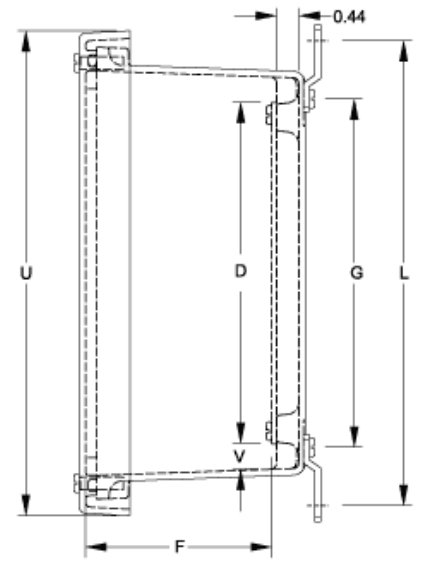
- Fiberglass polyester material has a gray finish.
- Optional inner panels are available in white powder coated finished steel, unfinished aluminum, or Fiberglass.

### Accessories

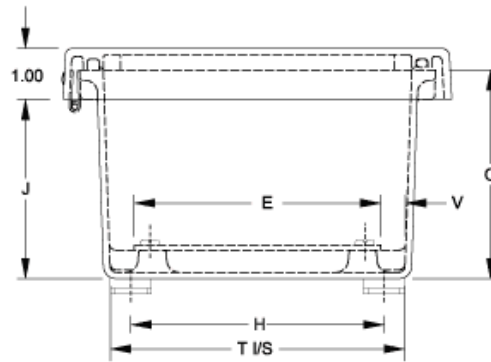
- Additional Inner Panels
- Pole Mounting Kit
- PJ Stainless Replacement Mounting Feet
- Climate Control
- Terminal Kit Assemblies
- PJ/PJU/PCJ Replacement Hardware Kits
- Window Kits
- General Accessories



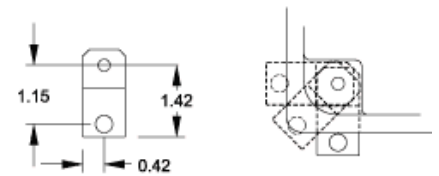
**Front View  
Hinged Screw Cover**



**Side View**



**End View**



**Optional Mounting Feet Locations**

**Thermal Index**  
130°C to -40°C (266°F to -40°F)  
**Impact Index**  
6.78J (5 ft/lb)

Lift-Off Cover	Hinged Cover	Enclosure			Optional Inner Panel		
Part No.	Part No.	H	W	D	H	W	Part No.
PJ664 <sup>1</sup>	PJ664H	6.10	6.10	4.13	4.88	4.88	14R0505
PJ864 <sup>1</sup>	PJ864H	8.00	6.12	4.13	6.75	4.88	14R0705
PJ1084 <sup>1</sup>	PJ1084H	10.13	8.26	4.13	8.75	6.88	14R0907
PJ1086 <sup>1</sup>	PJ1086H	10.13	8.26	6.13	8.75	6.88	14R0907
PJ12106 <sup>1</sup>	PJ12106H	12.13	10.26	6.13	10.75	8.88	14R1109
PJ12124 <sup>1</sup>	PJ12124H	12.13	12.13	4.13	10.75	10.88	14R1111
PJ12126 <sup>1</sup>	PJ12126H	12.13	12.13	6.13	10.75	10.88	14R1111
PJ14126 <sup>1</sup>	PJ14126H	14.13	12.26	6.13	12.75	10.88	14R1311
PJ16148	PJ16148H	16.27	14.40	8.13	14.75	12.88	14R1513
PJ18168	PJ18168H	18.40	16.40	8.13	16.88	14.88	P1868
PJ20168	PJ20168H	20.00	16.00	8.13	18.44	14.44	P2068

Alternative inner panel options also available. <sup>1</sup> Type 6P/IP68.

Tags: PJ, polyester, fiberglass, non-metallic, junction box, NEMA 4X, Type 4X, outdoor, lift-off cover, hinged door, screws *Data subject to change without notice*

