

M12

1205 ... 3...

Actuator/Sensor Cordsets M12



Actuator/sensor cordset with overmolded connector

Cable end 1:

M12 female, angled, A-coded, IP67

Cable end 2:

blunt cut

Cable:

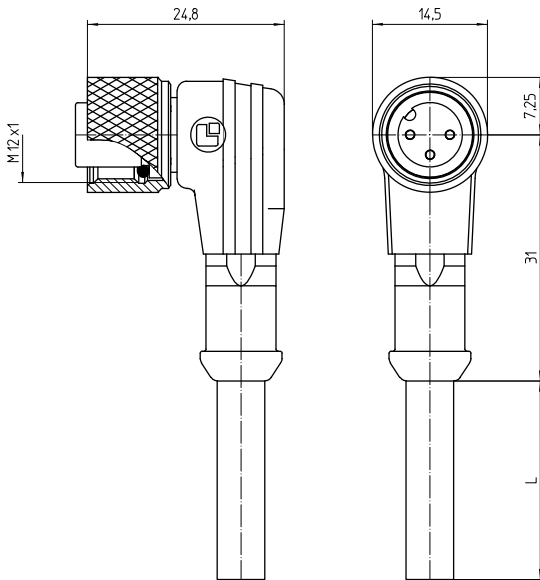
PUR, black

Approvals:



M12

1205 ... 3...



Environmental conditions

Temperature range -25 °C/+80 °C

Materials

Insulating body TPU GF, HB according to UL94
 Contact bush CuZn, pre-nickel and gold-plated
 Overmolding/handle TPU¹
 Knurled nut CuZn, nickel-plated
 Seal FKM

¹ material halogen-free

Mechanical data

Mating cycles ≥ 100
 Insertion force ≤ 10 N (4-5 poles)
 ≤ 23 N (8 poles)
¹
 Withdrawal force ≤ 15 N (4-5 poles)
 ≤ 30 N (8 poles)²

Protection class IP67³

¹ measured with a proper counterpart

² measured with a proper counterpart

³ according to IEC DIN EN 60529, only in locked condition with an appropriate counterpart

Connected cable

Construction PUR, black

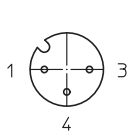
Electrical data (at T_{amb} 20 °C)

Contact resistance ≤ 10 m Ω
 Rated current 4 A (3-5 poles)
 2 A (8 poles)
 1.5 A (12 poles)
 (T_{amb} 40 °C)
 Rated voltage 250 V AC/DC (3-4 poles)
 60 V AC/DC (5 poles)
 30 V AC/DC (8-12 poles)
 Rated impulse voltage 2500 V (3-4 poles)
 1500 V (5 poles)
 800 V (8-12 poles)
 Material group I (IEC)/0 (UL) (CTI = 600)
 Insulation resistance > 100 M Ω

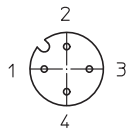
M12

1205 ... 3...

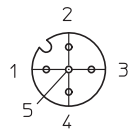
Pin assignments for female M12 connectors, A-coded, front view



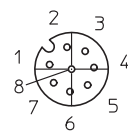
- 3 pole**
1 brown
3 blue
4 black



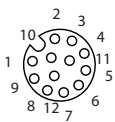
- 4 pole**
1 brown
2 white
3 blue
4 black



- 5 pole**
1 brown
2 white
3 blue
4 black
5 gray



- 8 pole**
1 white
2 brown
3 green
4 yellow
5 gray
6 pink
7 blue
8 red



- 12 pole**
1 white
2 green
3 yellow
4 gray
5 pink
6 red
7 black
8 violet
9 gray/pink
10 red/blue
11 blue
12 brown

Associated products

Counterparts

- | | | |
|---------------------------------------|---------------------------------------|---------------------------------------|
| 1210 ... 0... | 1210 ... 3... | 1210 0800 ... 3... |
| 1210 0806 ... L1 3... | 1210 1200 ... 0... | 1210 1200 ... 3... |
| 1210 1205 ... 3... | 1210 1206 ... L1 0... | 1210 1206 ... L1 3... |
| 1210 1206 ... L2 0... | 1210 1206 ... L2 3... | 1230 ... T16CW ... |
| 1230 ... T16CW100 ... | 1230 ... T16CW101 ... | 1230 ... T16CW102 ... |
| 1230 ... T16CW103 ... | 1230 ... T16CW104 ... | 1230 ... T16CW105 ... |
| 1231 ... T16CW100 ... | 1231 ... T9CP | 1239 ... TOCB |
| 1250 ... T...CR | 1255 ... T9CR | 5012 04L1 |
| 5012 08L1 | 5012 10L1 | 5512 04DL1 |
| 5512 04L1 | 5512 08L1 | |

Accessories

- | | | |
|---------------------------|---------------------------|---------------------------|
| 9912 CPF0 | 9912 MRBU | 9912 MRGN |
| 9912 MRRD | 9912 MRWH | 9912 MRYE |

M12

1205 ... 3...

Designation	Pole Number	Connected Cable	PU (Pieces)	MDQ (Pieces)	Dimensions L (mm)
1205 04 301 1,5m	4	PUR, black, 4 x 0.34 mm ² (AWG 22), 910301, UL-style 20549	5	10	1500
1205 04 301 2m	4	PUR, black, 4 x 0.34 mm ² (AWG 22), 910301, UL-style 20549	5	10	2000
1205 04 301 5m	4	PUR, black, 4 x 0.34 mm ² (AWG 22), 910301, UL-style 20549	1	10	5000
1205 05 302 1m	5	PUR, black, 5 x 0.34 mm ² (AWG 22), 910302, UL-style 20549	5	10	1000
1205 05 302 2m	5	PUR, black, 5 x 0.34 mm ² (AWG 22), 910302, UL-style 20549	5	10	2000
1205 05 302 5m	5	PUR, black, 5 x 0.34 mm ² (AWG 22), 910302, UL-style 20549	1	10	5000
1205 08 303 2m	8	PUR, black, 8 x 0.25 mm ² (AWG 24), 910303, UL-style 20549	5	10	2000
1205 08 303 5m	8	PUR, black, 8 x 0.25 mm ² (AWG 24), 910303, UL-style 20549	1	10	5000
1205 12 315 5m	12 cULus pending	PUR, black, 12 x 0.25 mm ² (AWG 24) 910315, UL-style 20549	1	10	5000

Packaging:
in a plastic bag