

M8

0805 ... 0...

Actuator/Sensor Cordsets M8



Actuator/sensor cordset with overmolded connector

Cable end 1:

M8 female, angled, A-coded, IP67

Cable end 2:

blunt cut

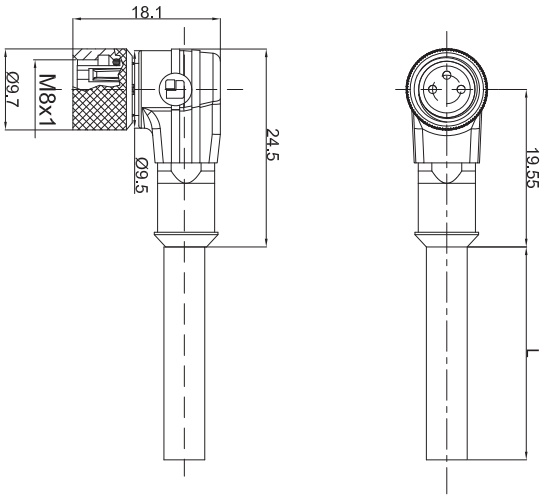
Cable:

PVC, black

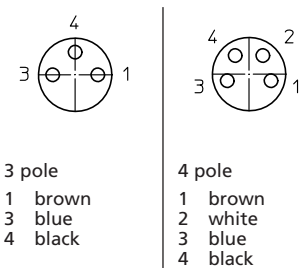
Approvals:



M8 **0805 ... 0...**



Pin assignments for female M8 connectors, A-coded, front view



Environmental conditions

Temperature range -25 °C/+80 °C

Materials

Insulating body	TPU GF, HB according to UL94
Contact bush	CuZn, pre-nickel and gold-plated
Overmolding/handle	PVC, HB according to UL94
Knurled nut	CuZn, nickel-plated
Seal	FKM

Mechanical data

Mating cycles	≥ 100
Insertion force	≤ 23 N ¹
Withdrawal force	≤ 23 N ¹
Protection class	IP67 ²

¹ measured with a proper counterpart

² according to IEC DIN EN 60529, only in locked condition with an appropriate counterpart

Connected cable

Construction PVC, black

Electrical data (at T_{amb} 20 °C)

Contact resistance	≤ 10 mΩ
Rated current	4 A (T _{amb} 40 °C)
Rated voltage	50 V AC/60 V DC (with pollution degree 3)
Rated impulse voltage	1,5 kV
Material group	I (IEC)/0 (UL) (CTI = 600)
Insulation resistance	> 100 MΩ

Associated products

Counterparts

- | | | |
|----------------------|----------------------|-------------------------|
| ☞ 0810 ... 0... | ☞ 0810 ... 3... | ☞ 0810 0800 ... 0... |
| ☞ 0810 0800 ... 3... | ☞ 0810 0805 ... 3... | ☞ 0810 0806 ... L1 3... |
| ☞ 0815 ... 0... | ☞ 0815 ... 3... | ☞ 0830 ... T8CW ... |
| ☞ 0831 ... T10CP | ☞ 0831 ... T8CW ... | ☞ 0832 ...S9 T8CP |
| ☞ 6157 8055 S01 4W | ☞ 6157 8055 S03 8W | ☞ 6157 8055 S06 16W |
| ☞ 6157 8055 S09 24W | | |

Accessories

- ☞ 9908 CPF0

M8 0805 ... 0...



M8

0805 ... 0...

Designation	Pole Number	Connected Cable	PU (Pieces)	MDQ (Pieces)	Dimensions L (mm)
0805 04 002 2m	4	PVC, black, 4 x 0.34 mm ² (AWG 22), 910002, UL-style 2464	5	10	2000
0805 04 002 5m	4	PVC, black, 4 x 0.34 mm ² (AWG 22), 910002, UL-style 2464	1	10	5000
0805 04 002 10m	4	PVC, black, 4 x 0.34 mm ² (AWG 22), 910002, UL-style 2464	1	10	10000

Packaging:
in a plastic bag