


M8

0830 ... T8CW ...

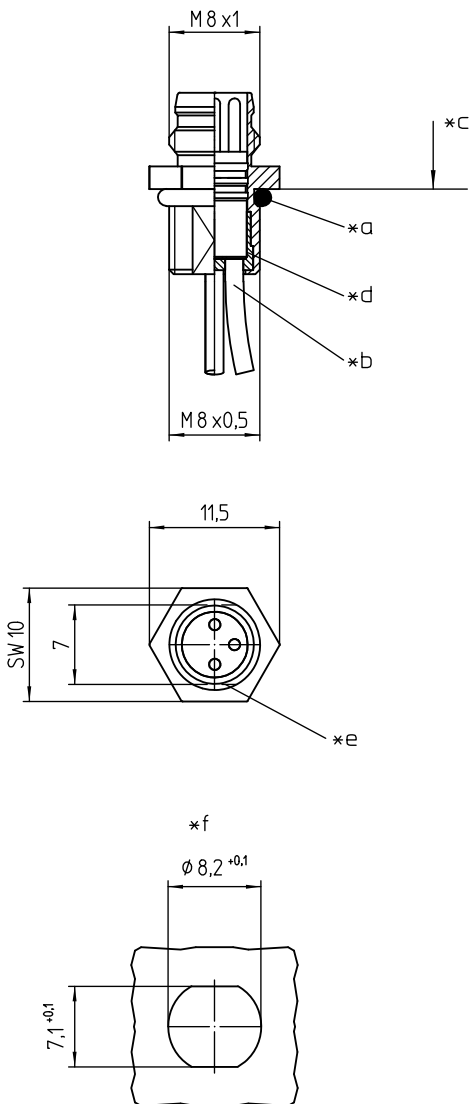
Panel Mount Connectors M8



M8 panel mount connector, male, A-coded, IP67, for front mounting, thread M8, with nut and stranded wires

Approvals: 

M8 **0830 ... T8CW ...**



Environmental conditions

Temperature range -25 °C/+80 °C

Materials

Insulating body	PA
Contact pin	CuZn, pre-nickel and gold-plated
Housing	CuZn, nickel-plated
Hexagonal nut	CuZn, nickel-plated
Seal	FKM

Mechanical data

Mating cycles	≥ 100
Insertion force	≤ 23 N ¹
Withdrawal force	≤ 23 N ¹
Protection class	IP67 ²

¹ measured with a proper counterpart

² according to IEC DIN EN 60529, only in locked condition with an appropriate counterpart

Electrical data (at T_{amb} 20 °C)

Contact resistance	≤ 10 mΩ
Rated current	4 A (T _{amb} 40 °C)
Rated voltage	50 V AC/60 V DC (with pollution degree 3)
Rated impulse voltage	1,5 kV
Material group	I (IEC)/0 (UL) (CTI = 600)
Insulation resistance	> 100 MΩ

Associated products

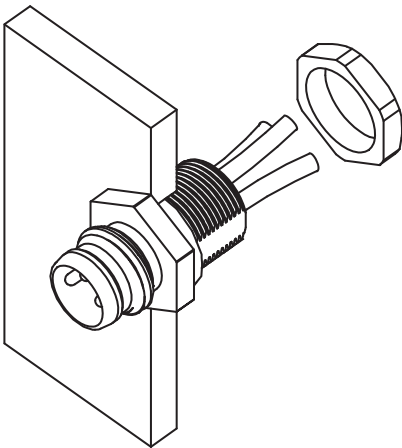
Counterparts

☞ 0800 ... 0...	☞ 0800 ... 3...	☞ 0800F1 ... 0...
☞ 0800F1 ... 3...	☞ 0805 ... 0...	☞ 0805 ... 3...
☞ 0805F1 ... 0...	☞ 0806 ... L1 0...	☞ 0806 ... L1 3...
☞ 0810 0806 ... L1 3...	☞ 1210 0800 ... 3...	☞ 1210 0806 ... L1 3...

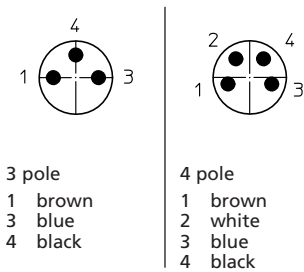
Accessories
☞ 9908 CPM0

M8

0830 ... T8CW ...



Pin assignment for male M8 connectors, A-coded, front view



- *a O-ring gasket
- *b stranded wire
- *c mounting direction
- *d contact area potted
- *e anti-rotation
- *f port in mounting plate

M8

0830 ... T8CW ...

Designation	Pole Number	Connected Cable	PU (Pieces)	MDQ (Pieces)	Dimensions L (mm)
0830 03 T8CW 0,5m	3	PVC, brown/blue/black, 3 x 0.34 mm ² (AWG 22), UL- style 1007	10	10	500
0830 03 T8CW 1,4m	3	PVC, brown/blue/black, 3 x 0.34 mm ² (AWG 22), UL- style 1007	10	10	1400
0830 04 T8CW 0,5m	4	PVC, brown/white/blue/ black, 4 x 0.34 mm ² (AWG 22), UL-style 1007	10	10	500

Packaging:
in a plastic bag