


M8

0820 ... T8CW ...

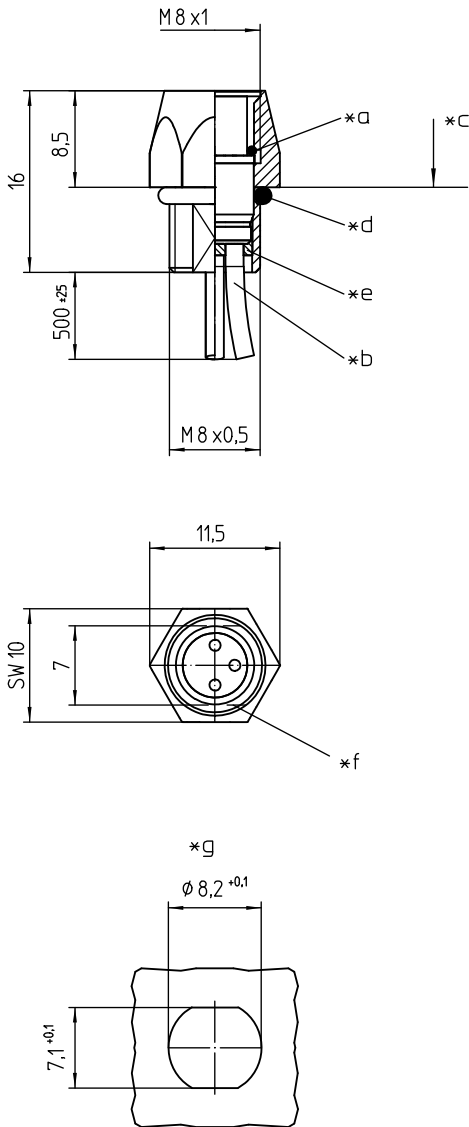
Panel Mount Connectors M8



M8 panel mount connector, female, A-coded, IP67, for front mounting, thread M8, with nut and stranded wires

Approvals: 

M8 0820 ... T8CW ...



Environmental conditions

Temperature range -25 °C/+80 °C

Materials

| | |
|-----------------|----------------------------------|
| Insulating body | PA |
| Contact bush | CuZn, pre-nickel and gold-plated |
| Hexagonal nut | CuZn, nickel-plated |
| Seal | FKM |

Mechanical data

| | |
|------------------|---------------------|
| Mating cycles | ≥ 100 |
| Insertion force | ≤ 23 N ¹ |
| Withdrawal force | ≤ 23 N ¹ |
| Protection class | IP67 ² |

¹ measured with a proper counterpart

² according to IEC DIN EN 60529, only in locked condition with an appropriate counterpart

Electrical data (at T_{amb} 20 °C)

| | |
|-----------------------|---|
| Contact resistance | ≤ 10 mΩ |
| Rated current | 4 A (T _{amb} 40 °C) |
| Rated voltage | 50 V AC/60 V DC (with pollution degree 3) |
| Rated impulse voltage | 1,5 kV |
| Material group | I (IEC)/0 (UL) (CTI = 600) |
| Insulation resistance | > 100 MΩ |

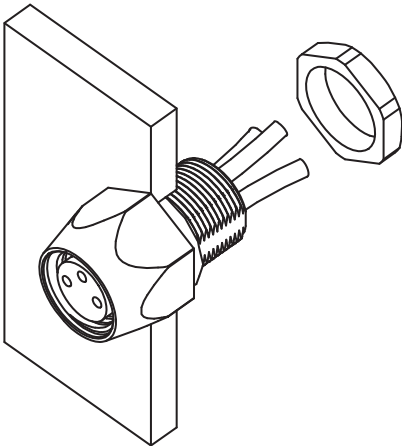
Associated products

| | | | |
|----------------------|----------------------|-------------------------|--|
| Counterparts | | | |
| ☞ 0810 ... 0... | ☞ 0810 ... 3... | ☞ 0810 0800 ... 0... | |
| ☞ 0810 0800 ... 3... | ☞ 0810 0805 ... 3... | ☞ 0810 0806 ... L1 3... | |
| ☞ 0815 ... 0... | ☞ 0815 ... 3... | | |

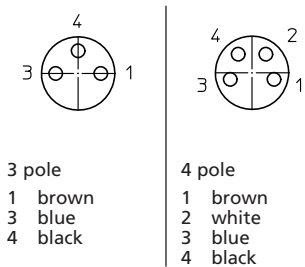
Accessories
☞ 9908 CPF0

M8

0820 ... T8CW ...



Pin assignment for female M8 connectors, A-coded, front view



- *a O-ring gasket
- *b stranded wire
- *c mounting direction
- *d O-ring gasket
- *e contact area potted
- *f anti-rotation
- *g port in mounting plate

M8

0820 ... T8CW ...

| Designation | Pole Number | Connected Cable | PU (Pieces) | MDQ (Pieces) | Dimensions L (mm) |
|-------------------|-------------|---|-------------|--------------|----------------------|
| 0820 03 T8CW 0,5m | 3 | PVC, brown/blue/black, 3 x 0.34 mm ² (AWG 22), UL- style 1007 | 10 | 10 | 500 |
| 0820 04 T8CW 0,5m | 4 | PVC, brown/white/blue/ black, 4 x 0.34 mm ² (AWG 22), UL-style 1007 | 10 | 10 | 500 |

Packaging:
in a plastic bag