

M8

0805 ... 3...

Actuator/Sensor Cordsets M8



Actuator/sensor cordset with overmolded connector

Cable end 1:

M8 female, angled, A-coded, IP67

Cable end 2:

blunt cut

Cable:

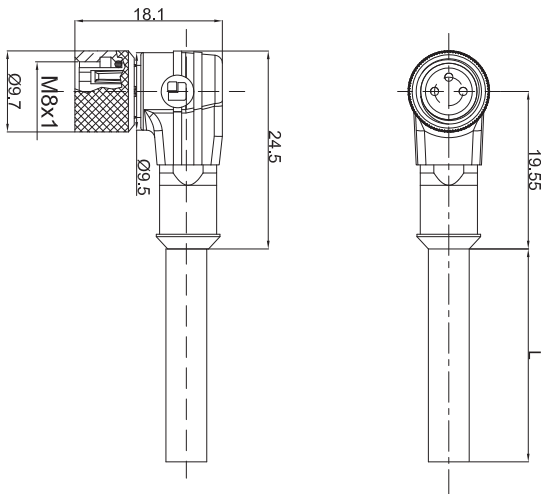
PUR, black

Approvals:

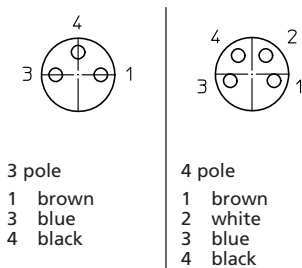


M8

0805 ... 3...



Pin assignment for female M8 connectors, A-coded, front view



Environmental conditions

Temperature range -25 °C/+80 °C

Materials

Insulating body	TPU GF, HB according to UL94
Contact bush	CuZn, pre-nickel and gold-plated
Overmolding/handle	TPU, HB according to UL94
Knurled nut	CuZn, nickel-plated
Seal	FKM

Mechanical data

Mating cycles	≥ 100
Insertion force	≤ 23 N ¹
Withdrawal force	≤ 23 N ¹
Protection class	IP67 ²

¹ measured with a proper counterpart

² according to IEC DIN EN 60529, only in locked condition with an appropriate counterpart

Connected cable

Construction PUR, black

Electrical data (at T_{amb} 20 °C)

Contact resistance	≤ 10 mΩ
Rated current	4 A (T _{amb} 40 °C)
Rated voltage	50 V AC/60 V DC (with pollution degree 3)
Rated impulse voltage	1,5 kV
Material group	I (IEC)/0 (UL) (CTI = 600)
Insulation resistance	> 100 MΩ

Associated products

Counterparts

☞ 0810 ... 0...	☞ 0810 0800 ... 3...	☞ 0810 0805 ... 3...
☞ 0810 0806 ... L13...	☞ 0815 ... 0...	☞ 0830 ... T8CW ...
☞ 0831 ... T10CP	☞ 0831 ... T8CW ...	☞ 0832 ...S9 T8CP
☞ 6157 8055 S01 4W	☞ 6157 8055 S03 8W	☞ 6157 8055 S06 16W
☞ 6157 8055 S09 24W		

Accessories

☞ 9908 CPF0

M8

0805 ... 3...

Designation	Pole Number	Connected Cable	PU (Pieces)	MDQ (Pieces)	Dimensions L (mm)
0805 03 300 2m	3	PUR, black, 3 x 0.34 mm ² (AWG 22), 910300, UL-style 20549	1	10	2000
0805 03 300 5m	3	PUR, black, 3 x 0.34 mm ² (AWG 22), 910300, UL-style 20549	1	10	5000
0805 04 301 5m	4	PUR, black, 4 x 0.34 mm ² (AWG 22), 910301, UL-style 20549	1	10	5000

Packaging:
in a plastic bag