

VGA-UL2919 Cable Tester



RoHS
Compliant



Description

The product is UL2919 cable tester. It can test the "Open" & "Short" of VGA cable. It is standard HOD male to HDD15 male or female cable tester. It is use 9 pcs - 3 colour LED to show the test result.

Its needs power to work.

- Power option :
- a: 5V USB power cable
 - b: Battery box (Must use the size "AA" 3 pcs.)
 - c: AC to DC Adapter (5V, 2A)

UL2919 cable must to have the shield. If UL2919 cable is without shield, the blue LED of tester is "NG".

Fit UL2919 (3+4) or (3+6) cable to test.

If UL2919 cable has the "OPEN" or "SHORT" , the blue LED of tester is "NG"

Pin assignment

(Full Pin Test)

HD15	Signal	Text	LED - Colour	Test
1	Red	R	Red	1-R /6-RG
2	Green	G	Green	2-G / 7-RG
3	Blue	B	Blue	3-B / 8-BG
4	102	1D2	Green	1D2/ GND
11	ID0	1D0	Green	1D0 / GND
12	101	1D1	Green	1D1 / GND
13	HSYNC	HS	Red	13-HS / Shield
14	VSYNC	VS	Red	14-VS / Shield
15	1D3	1D3	Green	1D3 / GND
6	RG			1-R / 6-RG
7	GG			2-G / 7-GG
8	BG			3-B / 8-BG
5/10	GND			ID0/ID1/ID2/ID3
Shield	Shield			HS / VS
9	NC			
Test Step : R=>G=>B=>ID2=>1D0=>ID1 =>HS=>VS=>ID3				

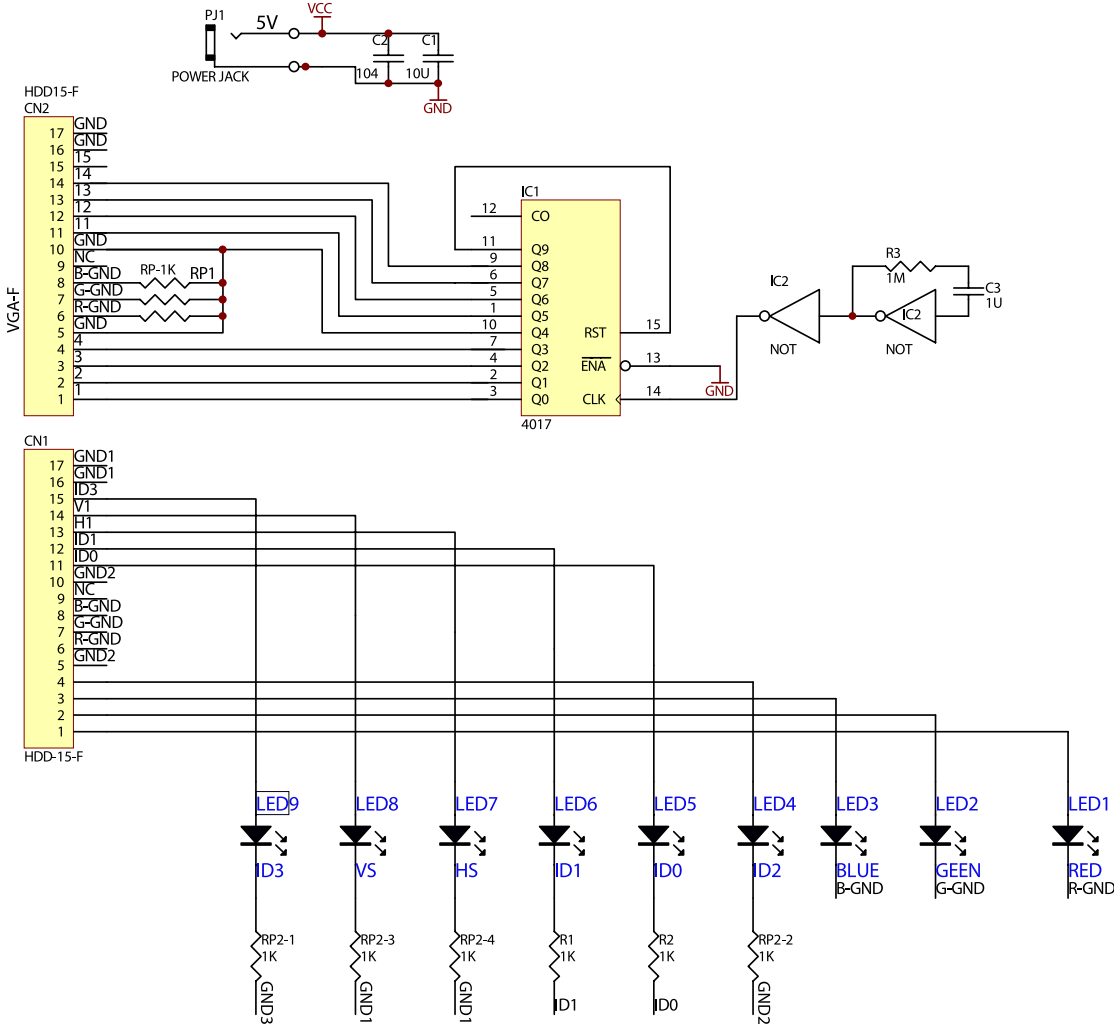
Newark.com/exclusive-brands
Farnell.com/exclusive-brands
Element14.com/exclusive-brands



VGA-UL2919 Cable Tester



Circuit Diagram



Part Number Table

Description	Part Number
Cable Tester VGA/UL2919 Mini	72-9205

Important Notice : This data sheet and its contents (the "Information") belong to the members of the AVNET group of companies (the "Group") or are licensed to it. No licence is granted for the use of it other than for information purposes in connection with the products to which it relates. No licence of any intellectual property rights is granted. The Information is subject to change without notice and replaces all data sheets previously supplied. The Information supplied is believed to be accurate but the Group assumes no responsibility for its accuracy or completeness, any error in or omission from it or for any use made of it. Users of this data sheet should check for themselves the Information and the suitability of the products for their purpose and not make any assumptions based on information included or omitted. Liability for loss or damage resulting from any reliance on the Information or use of it (including liability resulting from negligence or where the Group was aware of the possibility of such loss or damage arising) is excluded. This will not operate to limit or restrict the Group's liability for death or personal injury resulting from its negligence. TENMA is the registered trademark of Premier Farnell Limited 2019.

Newark.com/exclusive-brands
 Farnell.com/exclusive-brands
 Element14.com/exclusive-brands

