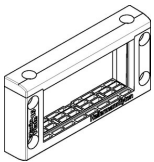


## VarioPlate Frame 16

Art.-No. 440-00002 | VarioPlate-16\_Frame-PL-BK |

### Details



- Time and space saving design
- Easy assembly, subsequent changes possible
- Wall gasket included in frame design
- Modular application for both insert sizes (S and L)
- Integrated strain relief
- Suitable for all common standard cut-out dimensions and drilling patterns
- Integrated cable diameter tolerance compensation
- For cut-out size 86 x 36 mm
- IP 65 and IP 66



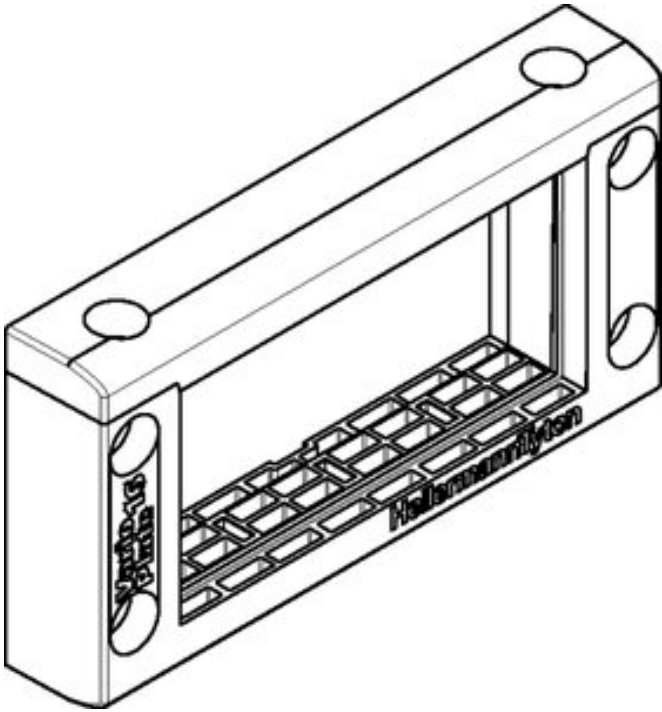
More products in this product group:

### Base Data

Application	The VarioPlate Cable Entry System is used to install multiple cables of different diameters, with or without pre-terminated plugs or connectors, or wherever space is limited. It is available in 4 different frame sizes which correspond to the cut-out dimensions commonly used in panel building and for industrial machinery. Combinable grommets with 1, 2 or 4 holes, are available for cable diameters ranging from 3-16 mm (size S) and 16-33 mm (size L).
Colour	Black (BK)
Description	VarioPlate Frame 16
Material	Plastic (PL)
Pack Content	10 pcs.
Package Content packed in	box
PART DESCRIPTION	VarioPlate-16_Frame-PL-BK
Product Family	VarioPlate Frame 16
Product Group	VarioPlate Cable Entry System
Variant	Both sides open

## Product Dimensions

---






---

Depth (D)	61 mm
Height (H)	21.00 mm
Length (L)	61 mm
Width (W)	116.5 mm

---

## Specifications

ELV compliant (Article 4 - 2)	YES
Flammability	UL 94 V0
Halogen-free	Yes
Hazardous good	No
IP-Rating	IP66
Operating Temperature	-40 °C to +140 °C
Self extinguishing (Yes/No)	Yes
Specifications	  
Specifications	csa-C22.2 No. 94.1, csa-C22.2 No. 94.2, UL 50, UL 50E
UL OCD link	<a href="#">Link</a> <a href="#">Link</a>
UL Recognized (US and Canada)	Yes
UL-File Number	E526974

## Logistics and Packaging

GTIN-13 / EAN	4031026686165
Packaging 1 - Height (m)	0.07 m
Packaging 1 - Length (m)	0.232 m
Packaging 1 - Qty	10
Packaging 1 - Type	carton
Packaging 1 - Volume (m <sup>3</sup> )	0.00195 m <sup>3</sup>
Packaging 1 - Weight (kg)	0.818 kg
Packaging 1 - Width (m)	0.12 m
Packaging 2 - Height (m)	0.216 m
Packaging 2 - Length (m)	0.3048 m
Packaging 2 - Volume (m <sup>3</sup> )	0.0176 m <sup>3</sup>
Packaging 2 - Width (m)	0.267 m

## More Information