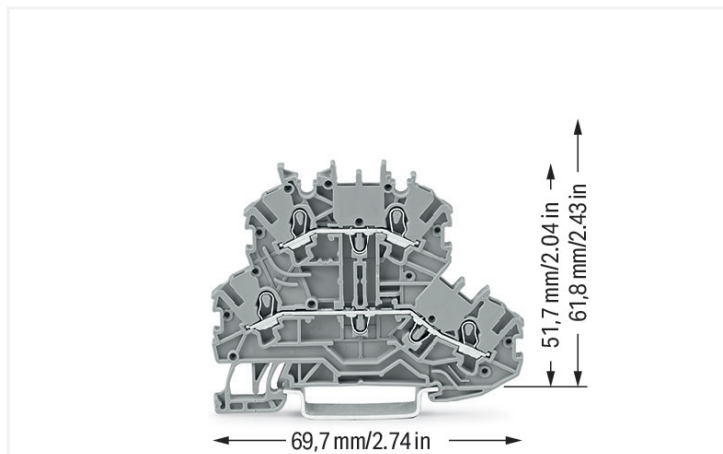


Data Sheet | Item Number: 2000-2201

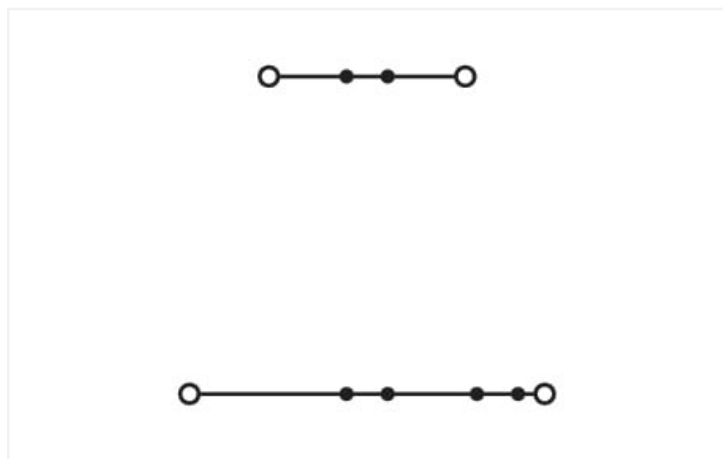
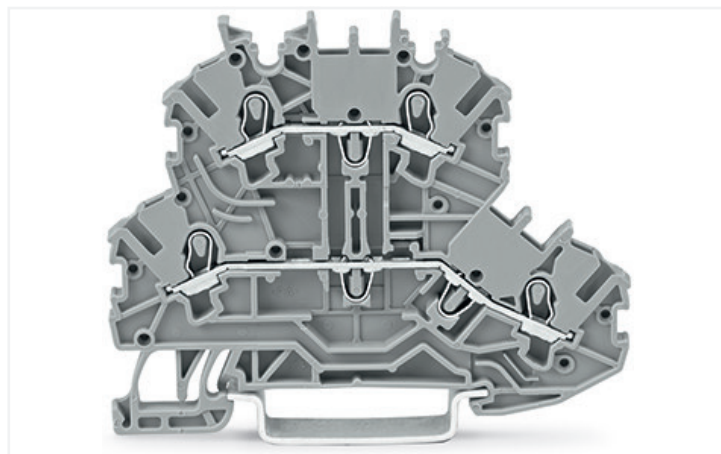
Double-deck terminal block; Through/through terminal block; L/L; without marker carrier; for DIN-rail 35 x 15 and 35 x 7.5; Push-in CAGE CLAMP®; 1,00 mm²; gray



<https://www.wago.com/2000-2201>



Color: ■ gray



Similar to illustration

Electrical data

Ratings per IEC/EN

Ratings per	IEC/EN 60947-7-1
Nominal voltage (III/3)	500 V
Rated impulse voltage (III/3)	6 kV
Rated current	13.5 A
Current at conductor cross-section (max.) mm²	16 A
Legend (ratings)	(III / 3) ≙ Overvoltage category III / Pollution degree 3

Ratings per UL 1059

Approvals per	UL 1059
Rated voltage UL (Use Group B)	300 V
Rated current UL (Use Group B)	15 A
Rated voltage UL (Use Group C)	300 V
Rated current UL (Use Group C)	15 A

Ratings per CSA

Approvals per	CSA 22.2 No 158
Rated voltage CSA (Use Group B)	600 V
Rated current CSA (Use Group B)	10 A
Rated voltage CSA (Use Group C)	600 V
Rated current CSA (Use Group C)	10 A

Ex information

Reference hazardous areas	See "Downloads – Documentation – Additional Information: Technical Section; Technical Explanations"
Ratings per	ATEX: PTB 11 ATEX 1041 U / IECEx: PTB 11.0093U (Ex eb IIC Gb)
Rated voltage EN (Ex e II)	350 V
Rated current (Ex e II)	13 A
Rated current (Ex e II) with jumper	12 A

Power loss

Power loss, per pole (potential)	0.4338 W
Rated current I_N for specified power loss	13.5 A
Resistance value for specified, current-dependent power loss	0.00238 Ω

Connection data

Connection points	4
Total number of potentials	2
Number of levels	2
Number of jumper slots	4
Anzahl Brückeraufnahmen Rang	1

Connection 1

Connection technology	Push-in CAGE CLAMP®
Number of connection points	2
Actuation type	Operating tool
Connectable conductor materials	Copper
Nominal cross-section	1 mm ²
Solid conductor	0.14 ... 1.5 mm ² / 24 ... 16 AWG
Solid conductor; push-in termination	0.5 ... 1.5 mm ² / 20 ... 16 AWG
Fine-stranded conductor	0.14 ... 1.5 mm ² / 24 ... 16 AWG
Fine-stranded conductor; with insulated ferrule	0.14 ... 0.75 mm ² / 24 ... 18 AWG
Fine-stranded conductor; with ferrule; push-in termination	0.5 ... 0.75 mm ² / 20 ... 18 AWG
Note (conductor cross-section)	Depending on the conductor characteristic, a conductor with a smaller cross-section can also be inserted via push-in termination.
Strip length	9 ... 11 mm / 0.35 ... 0.43 inches
Wiring direction	Front-entry wiring

Connection 2

Number of connection points 2	2
-------------------------------	---

Physical data

Width	3.5 mm / 0.138 inches
Height	69.7 mm / 2.744 inches
Depth from upper-edge of DIN-rail	51.7 mm / 2.035 inches

Mechanical data

Potential marking	L/L
Mounting type	DIN-35 rail
Marking level	Center/side marking

Material data

Note (material data)	Information on material specifications can be found here
Color	gray
Material group	I
Insulation material	Polyamide (PA66)
Flammability class per UL94	V0
Fire load	0.152 MJ
Weight	7.3 g

Environmental requirements

Processing temperature	-35 ... +85 °C
Continuous operating temperature	-60 ... +105 °C

Commercial data

eCl@ss 10.0	27-14-11-20
eCl@ss 9.0	27-14-11-20
ETIM 8.0	EC000897
ETIM 7.0	EC000897
PU (SPU)	50 pcs
Packaging type	Box
Country of origin	CN
GTIN	4050821891703
Customs tariff number	85369010000

Approvals / Certificates

General approvals



Approval	Standard	Certificate Name
CCA DEKRA Certification B.V.	EN 60947	NTR NL 7962
CSA DEKRA Certification B.V.	C22.2	2130762
KEMA/KEUR DEKRA Certification B.V.	EN 60947	71-125928
UL Underwriters Laboratories Inc.	UL 1059	E45172

Declarations of conformity and manufacturer's declarations



Approval	Standard	Certificate Name
EU-Declaration of Confor- mity WAGO GmbH & Co. KG	-	-
Railway WAGO GmbH & Co. KG	-	Railway Ready
UK-Declaration of Confor- mity WAGO GmbH & Co. KG	-	-

Approvals for hazardous areas



Approval	Standard	Certificate Name
AEx Underwriters Laboratories Inc.	UL 60079	E185892 (AEx eb IIC resp. Ex eb IIC)
ATEX Physikalisch Technische Bundesanstalt	EN 60079	PTB 11 ATEX 1041 U (II 2 G Ex eb IIC Gb bzw. I M 2 Ex eb I Mb)
CCC CNEX	GB/T 3836.3	2020312313000182 (Ex eb IIC Gb, Ex eb I Mb)
EAC Brjansker Zertifizierungs- stelle	TP TC 012/2011	RU C-DE.AM02. B.00127/19 (Ex e IIC Gb U)
IECEx Physikalisch Technische Bundesanstalt	IEC 60079	IECEx PTB 11.0093U (Ex e IIC Gb or Ex e I Mb)

Downloads

Environmental Product Compliance

Compliance Search	
Environmental Product Compliance 2000-2201	↓

Documentation

Additional Information	
Technical Section	pdf 2142.18 KB ↓

Bid Text			
2000-2201	19.02.2019	xml 3.80 KB	↓
2000-2201	07.08.2018	docx 14.61 KB	↓

CAD/CAE-Data

CAD data	
2D/3D Models 2000-2201	↓

CAE data	
EPLAN Data Portal 2000-2201	↓
WSCAD Universe 2000-2201	↓
ZUKEN Portal 2000-2201	↓

1 Compatible Products

1.1 Required Accessories

1.1.1 End plate

1.1.1.1 End plate



Item No.: 2000-2291
End plate; 0.7 mm thick; gray

Item No.: 2000-2292
End plate; 0.7 mm thick; orange

1.2 Optional Accessories

1.2.1 DIN-rail

1.2.1.1 Mounting accessories



Item No.: 210-196
Aluminum carrier rail; 35 x 8.2 mm; 1.6 mm thick; 2 m long; unslotted; similar to EN 60715; silver-colored

Item No.: 210-198
Copper carrier rail; 35 x 15 mm; 2.3 mm thick; 2 m long; unslotted; according to EN 60715; copper-colored

Item No.: 210-197
Steel carrier rail; 35 x 15 mm; 1.5 mm thick; 2 m long; slotted; similar to EN 60715; silver-colored

Item No.: 210-114
Steel carrier rail; 35 x 15 mm; 1.5 mm thick; 2 m long; unslotted; similar to EN 60715; silver-colored



Item No.: 210-118
Steel carrier rail; 35 x 15 mm; 2.3 mm thick; 2 m long; unslotted; according to EN 60715; silver-colored

Item No.: 210-115
Steel carrier rail; 35 x 7.5 mm; 1 mm thick; 2 m long; slotted; according to EN 60715; "Hole width 18 mm; silver-colored

Item No.: 210-112
Steel carrier rail; 35 x 7.5 mm; 1 mm thick; 2 m long; slotted; according to EN 60715; "Hole width 25 mm; silver-colored

Item No.: 210-113
Steel carrier rail; 35 x 7.5 mm; 1 mm thick; 2 m long; unslotted; according to EN 60715; silver-colored

1.2.2 Ferrule

1.2.2.1 Ferrule



[Item No.: 216-241](#)

Ferrule; Sleeve for 0.5 mm² / 20 AWG; insulated; electro-tin plated; electrolytic copper; gastight crimped; acc. to DIN 46228, Part 4/09.90; white



[Item No.: 216-242](#)

Ferrule; Sleeve for 0.75 mm² / 18 AWG; insulated; electro-tin plated; electrolytic copper; gastight crimped; acc. to DIN 46228, Part 4/09.90; gray



[Item No.: 216-243](#)

Ferrule; Sleeve for 1 mm² / AWG 18; insulated; electro-tin plated; electrolytic copper; gastight crimped; acc. to DIN 46228, Part 4/09.90; red

1.2.3 Installation

1.2.3.1 Cover



[Item No.: 709-156](#)

Cover; Type 3; suitable for cover carrier, type 3; 1 m long; transparent

1.2.3.2 Cover carrier



[Item No.: 709-169](#)

Cover carrier; Type 3; gray

1.2.4 Jumper

1.2.4.1 Jumper



[Item No.: 2000-406/020-000](#)

Delta jumper; insulated; light gray



[Item No.: 2000-410/000-006](#)

Jumper; 10-way; insulated; blue



[Item No.: 2000-410](#)

Jumper; 10-way; insulated; light gray



[Item No.: 2000-410/000-005](#)

Jumper; 10-way; insulated; red



[Item No.: 2000-402/000-006](#)

Jumper; 2-way; insulated; blue



[Item No.: 2000-402](#)

Jumper; 2-way; insulated; light gray



[Item No.: 2000-402/000-005](#)

Jumper; 2-way; insulated; red



[Item No.: 2000-402/000-018](#)

Jumper; 2-way; insulated; yellow-green



[Item No.: 2000-403/000-006](#)

Jumper; 3-way; insulated; blue



[Item No.: 2000-403](#)

Jumper; 3-way; insulated; light gray



[Item No.: 2000-403/000-005](#)

Jumper; 3-way; insulated; red



[Item No.: 2000-404/000-006](#)

Jumper; 4-way; insulated; blue



[Item No.: 2000-404](#)

Jumper; 4-way; insulated; light gray



[Item No.: 2000-404/000-005](#)

Jumper; 4-way; insulated; red



[Item No.: 2000-405/000-006](#)

Jumper; 5-way; insulated; blue



[Item No.: 2000-405](#)

Jumper; 5-way; insulated; light gray



[Item No.: 2000-405/000-005](#)

Jumper; 5-way; insulated; red



[Item No.: 2000-406/000-006](#)

Jumper; 6-way; insulated; blue



[Item No.: 2000-406](#)

Jumper; 6-way; insulated; light gray



[Item No.: 2000-406/000-005](#)

Jumper; 6-way; insulated; red



[Item No.: 2000-407/000-006](#)

Jumper; 7-way; insulated; blue



[Item No.: 2000-407](#)

Jumper; 7-way; insulated; light gray



[Item No.: 2000-407/000-005](#)

Jumper; 7-way; insulated; red



[Item No.: 2000-408/000-006](#)

Jumper; 8-way; insulated; blue



[Item No.: 2000-408](#)

Jumper; 8-way; insulated; light gray



[Item No.: 2000-408/000-005](#)

Jumper; 8-way; insulated; red



[Item No.: 2000-409/000-006](#)

Jumper; 9-way; insulated; blue



[Item No.: 2000-409](#)

Jumper; 9-way; insulated; light gray

1.2.4.1 Jumper



[Item No.: 2000-409/000-005](#)
Jumper; 9-way; insulated; red

[Item No.: 2000-440](#)
Jumper; from 1 to 10; insulated; light gray

[Item No.: 2000-433/000-006](#)
Jumper; from 1 to 3; insulated; blue

[Item No.: 2000-433](#)
Jumper; from 1 to 3; insulated; light gray



[Item No.: 2000-433/000-005](#)
Jumper; from 1 to 3; insulated; red

[Item No.: 2000-434](#)
Jumper; from 1 to 4; insulated; light gray

[Item No.: 2000-435](#)
Jumper; from 1 to 5; insulated; light gray

[Item No.: 2000-436](#)
Jumper; from 1 to 6; insulated; light gray

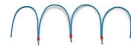


[Item No.: 2000-437](#)
Jumper; from 1 to 7; insulated; light gray

[Item No.: 2000-438](#)
Jumper; from 1 to 8; insulated; light gray

[Item No.: 2000-439](#)
Jumper; from 1 to 9; insulated; light gray

[Item No.: 2000-405/011-000](#)
Star point jumper; 3-way; insulated; light gray



[Item No.: 2000-492](#)
Vertical jumper; insulated; light gray

[Item No.: 210-103](#)
Wire commoning chain; insulated; black

[Item No.: 210-123](#)
Wire commoning chain; insulated; blue

1.2.5 Marking

1.2.5.1 Marker



[Item No.: 793-3501](#)
WMB marking card; as card; plain; snap-on type; white

[Item No.: 2009-113/000-006](#)
WMB-Inline; for Smart Printer; 2300 pieces on roll; plain; snap-on type; blue

[Item No.: 2009-113/000-007](#)
WMB-Inline; for Smart Printer; 2300 pieces on roll; plain; snap-on type; gray

[Item No.: 2009-113/000-023](#)
WMB-Inline; for Smart Printer; 2300 pieces on roll; plain; snap-on type; green



[Item No.: 2009-113/000-017](#)
WMB-Inline; for Smart Printer; 2300 pieces on roll; plain; snap-on type; light green

[Item No.: 2009-113/000-012](#)
WMB-Inline; for Smart Printer; 2300 pieces on roll; plain; snap-on type; orange

[Item No.: 2009-113/000-005](#)
WMB-Inline; for Smart Printer; 2300 pieces on roll; plain; snap-on type; red

[Item No.: 2009-113/000-024](#)
WMB-Inline; for Smart Printer; 2300 pieces on roll; plain; snap-on type; violet



[Item No.: 2009-113](#)
WMB-Inline; for Smart Printer; 2300 pieces on roll; plain; snap-on type; white

[Item No.: 2009-113/000-002](#)
WMB-Inline; for Smart Printer; 2300 pieces on roll; plain; snap-on type; yellow

1.2.5.2 Marker carrier



[Item No.: 2000-121](#)
Adaptor; gray

1.2.5.3 Marking strip



[Item No.: 2009-110](#)
Marking strips; for Smart Printer; on reel; not stretchable; plain; snap-on type; white

1.2.6 Protective warning marker

1.2.6.1 Cover



Item No.: 2000-115

Protective warning marker; for 5 terminal blocks; with high-voltage symbol, black; yellow

1.2.7 Push-in type wire jumper

1.2.7.1 Jumper



Item No.: 2009-404

Push-in type wire jumper; 0.75 mm²; insulated; 110 mm long; gray



Item No.: 2009-406

Push-in type wire jumper; 0.75 mm²; insulated; 250 mm long; gray



Item No.: 2009-402

Push-in type wire jumper; 0.75 mm²; insulated; 60 mm long; gray

1.2.8 Test and measurement

1.2.8.1 Testing accessories



Item No.: 2009-174

Test plug adapter; for 4 mm Ø test plugs; for testing TOPJOB®S rail-mounted terminal blocks; gray



Item No.: 2009-182

Testing tap; for max. 2.5 mm²; tool-free connection for individual test wires 0.08 - 2.5 mm; gray

1.2.9 Tool

1.2.9.1 Operating tool



Item No.: 210-719

Operating tool; Blade: 2.5 x 0.4 mm; with a partially insulated shaft



Item No.: 210-648

Operating tool; Blade: 2.5 x 0.4 mm; with a partially insulated shaft; angled; short



Item No.: 210-647

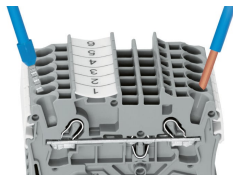
Operating tool; Blade: 2.5 x 0.4 mm; with a partially insulated shaft; multicoloured

Installation Notes

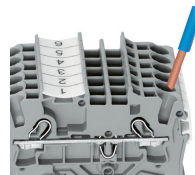
Conductor termination



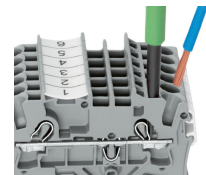
All conductor types at a glance



Push-in termination of solid and ferruled conductors

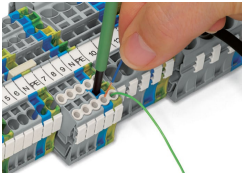


Inserting a conductor via push-in termination:
Solid conductors with cross-sections from either one size above, or up to two sizes below, the rated cross-section can be simply pushed in – no tools needed.



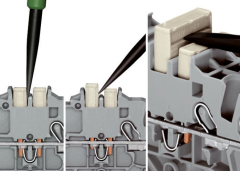
Inserting a conductor via operating tool:
Connecting fine-stranded conductors without ferrules, or small cross-sectional conductors that cannot be pushed in, is performed similarly to the original CAGE CLAMP® – just use an operating tool.
Advantage:
To open the clamp, the operating tool is inserted vertically. The conductor entry is less than 15 degrees for easier wiring.

Conductor termination

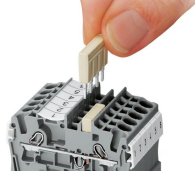


Conductor termination – insulation stop

Commoning

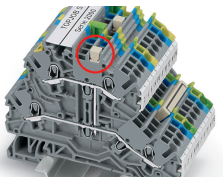


Removing a push-in type jumper bar: Insert the operating tool between the jumper and partition wall of the dual jumper slots, then lift up the jumper. Place the operating tool in the center of jumpers for up to five contacts (see above), or alternately on both sides for jumpers with more than five contacts.



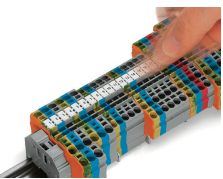
Insert push-in type jumper bar and push down until it hits backstop.

Commoning

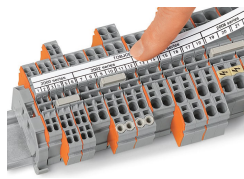


Commoning two levels via double-deck vertical jumper (2000-492).

Marking



Snapping WMB Inline markers into marker slots.



Double-Deck Terminal Blocks
A double-deck marker carrier (2000-121) can be retrofitted to double-deck terminal blocks without a marker carrier.

