

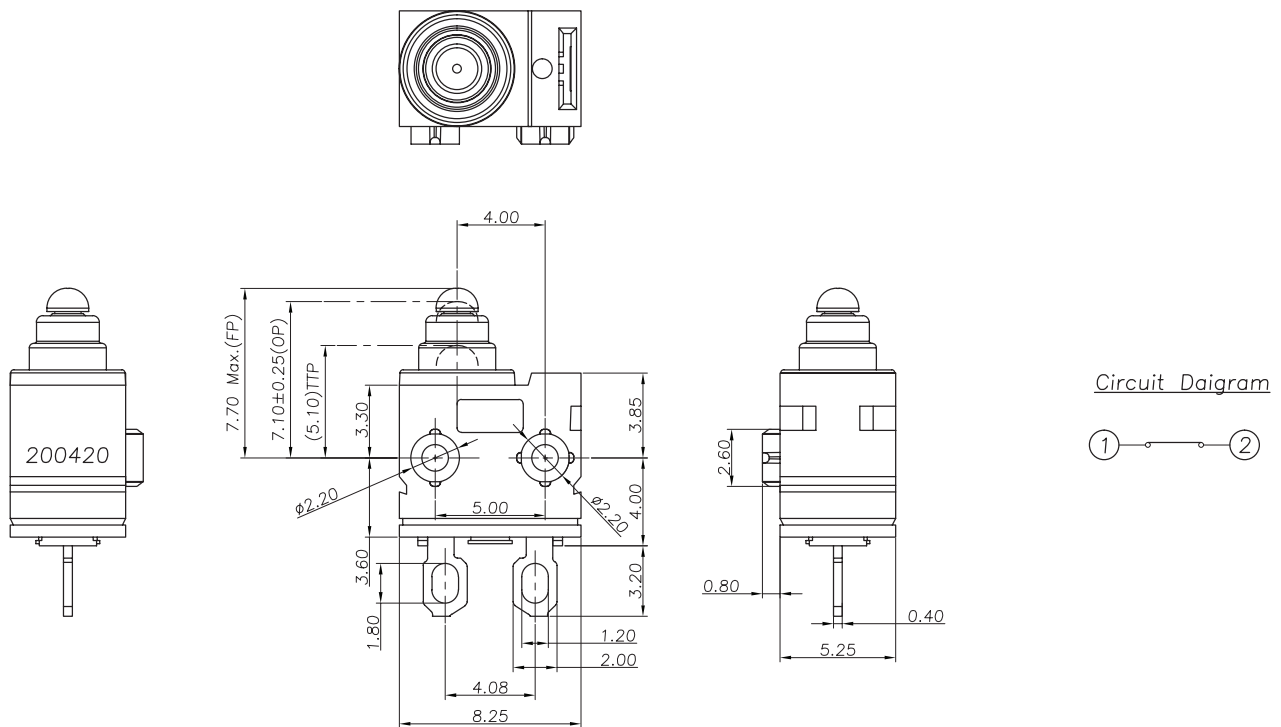
Detector Switch

multicomp PRO

Specification

Rating	: 1mA, 5V DC to 50mA, 16V DC
Initial Contact Resistance	: 1Ω max.
Insulation Resistance	: 100MΩ min. 500V DC
Dielectric Strength.	: 500V AC / 1 minute
Operating Force	: 160gf Max. (1.57N Max.)
Operating Life	: 300,000 cycles Min. (5V DC 1mA) 200,000 cycles Min. (12V DC 50mA) 150,000 cycles Min. (16V DC 50mA)
General Tolerances	: ±0.2mm

Diagram



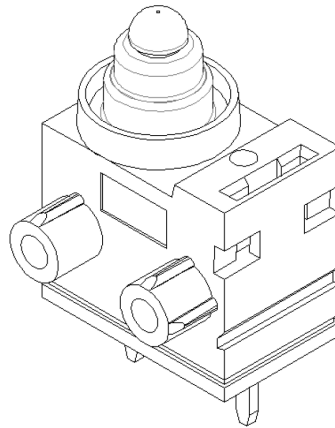
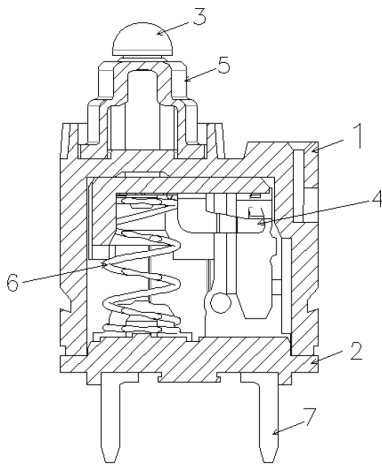
Dimensions : Millimetres

Newark.com/multicomp-pro
Farnell.com/multicomp-pro
sg.element14.com/b/multicomp-pro

multicomp PRO

Detector Switch

Item	Description.	Materials	Treatment
1.	Cover	High Temp Thermoplastic	Black
2.	Base	High Temp Thermoplastic	White
3.	Button	High Temp Thermoplastic	Black
4.	Contact	Copper	Ag Plating
5.	Rubber	Silicone Rubber	Orange/Green
6.	Spring	Stainless Steel	Ag Plating
7.	Terminal	Brass	Ag Plating



Part Number Table

Description	Part Number
Detector Switch, SPST, Normal Close, Pin Plunger, Solder Terminal	MPSK-P2EWGV

Important Notice : This data sheet and its contents (the "Information") belong to the members of the AVNET group of companies (the "Group") or are licensed to it. No licence is granted for the use of it other than for information purposes in connection with the products to which it relates. No licence of any intellectual property rights is granted. The Information is subject to change without notice and replaces all data sheets previously supplied. The Information supplied is believed to be accurate but the Group assumes no responsibility for its accuracy or completeness, any error in or omission from it or for any use made of it. Users of this data sheet should check for themselves the Information and the suitability of the products for their purpose and not make any assumptions based on information included or omitted. Liability for loss or damage resulting from any reliance on the Information or use of it (including liability resulting from negligence or where the Group was aware of the possibility of such loss or damage arising) is excluded. This will not operate to limit or restrict the Group's liability for death or personal injury resulting from its negligence. Multicomp Pro is the registered trademark of Premier Farnell Limited 2019.