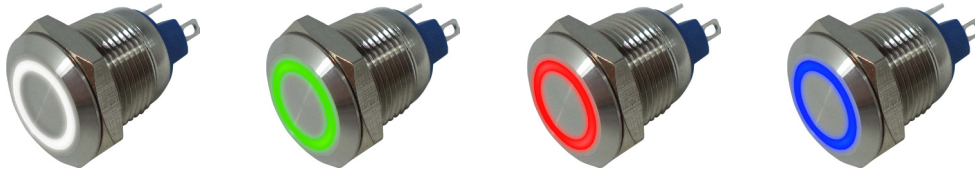


# Anti-Vandal Switches

## Push Button

**multicomp** PRO

**RoHS  
Compliant**



### Specifications

#### Material

Body : PA, Rated UL94V-0  
 Bushing : Stainless Steel, Varnish Polished  
 Button : Stainless Steel, Varnish Polished  
 Contact Material : Silver Alloy, (2mm × 0.5mm)  
 Terminal : Brass, Silver Plated

#### Electrical

Switch Rating : 2A @ 36V DC  
 Contact Resistance : 50mΩ max.  
 Insulation Resistance : 1000MΩ min. @ 500V DC  
 Dielectric withstanding voltage : 1500V RMS, 50Hz  
 Electrical Life : 200,000 cycles min. at full load  
 Led : ≤15mA

#### Mechanical

Operating Force : 1.5N to 2N  
 Operating Travel : 1.5mm  
 Nut Torque : 0.6Nm max

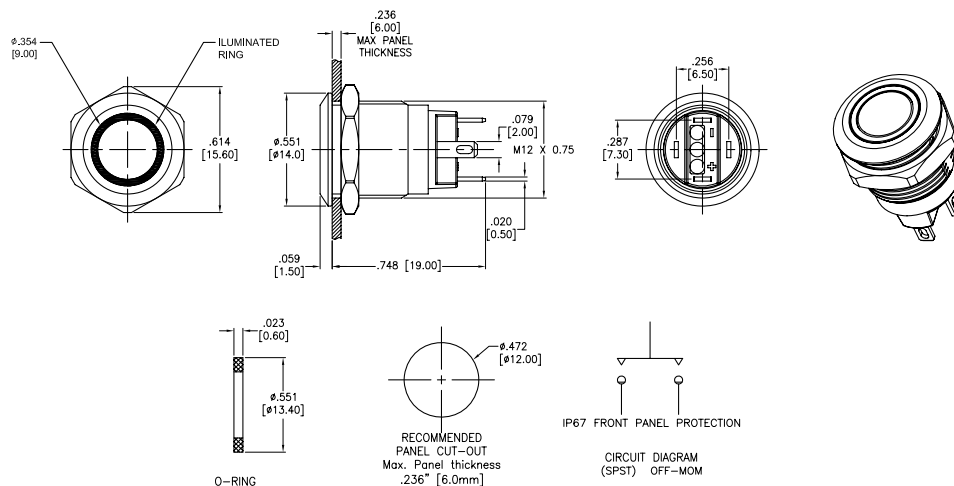
#### Temperature Rating

Operating temperature : -25°C to +55°C

#### Environmental

Front Panel Protection : IP67

### Diagram



500V DC.  
 .50Hz.  
 load.

Dimensions : Millimetres

Newark.com/multicomp-pro  
 Farnell.com/multicomp-pro  
 sg.element14.com/b/multicomp-pro

**multicomp** PRO

# Anti-Vandal Switches

## Push Button

**multicomp** PRO

**Part Number Table**

Description	Button Colour	LED Voltage	Part Number
Anti Vandal Switch, SPST, Off-MOM	White	12V	MP-PB7-01LB42BFRW12VM
	Green		MP-PB7-01LB42BFRG12VM
	Red		MP-PB7-01LB42BFRR12VM
	Blue		MP-PB7-01LB42BFRB12VM

**Important Notice :** This data sheet and its contents (the "Information") belong to the members of the AVNET group of companies (the "Group") or are licensed to it. No licence is granted for the use of it other than for information purposes in connection with the products to which it relates. No licence of any intellectual property rights is granted. The Information is subject to change without notice and replaces all data sheets previously supplied. The Information supplied is believed to be accurate but the Group assumes no responsibility for its accuracy or completeness, any error in or omission from it or for any use made of it. Users of this data sheet should check for themselves the Information and the suitability of the products for their purpose and not make any assumptions based on information included or omitted. Liability for loss or damage resulting from any reliance on the Information or use of it (including liability resulting from negligence or where the Group was aware of the possibility of such loss or damage arising) is excluded. This will not operate to limit or restrict the Group's liability for death or personal injury resulting from its negligence. Multicomp Pro is the registered trademark of Premier Farnell Limited 2019.

Newark.com/multicomp-pro  
Farnell.com/multicomp-pro  
sg.element14.com/b/multicomp-pro

**multicomp** PRO