

Push Button Switches Industrial

multicomp PRO

**RoHS
Compliant**

Specifications

Material

Base : PBT, Rated UL 94V-0
 Bushing : PC
 Nut : PC
 Contact Material : Silver Alloy

Electrical

Switch Rating : 0.7A @ 12V / 24V DC (Inductive)
 1A @ 12V / 24V DC (Resistive)
 0.7A @ 110V AC (Inductive)
 1A @ 110V AC (Resistive)
 0.5A @ 220V AC (Inductive)
 0.5A @ 220V AC (Resistive)

Contact Resistance : 50mΩ max.
 Insulation Resistance : 100MΩ min.
 Dielectric withstanding voltage : 1000V RMS, 50Hz.
 Electrical Life : 50,000 Cycles min at full load

Temperature Rating

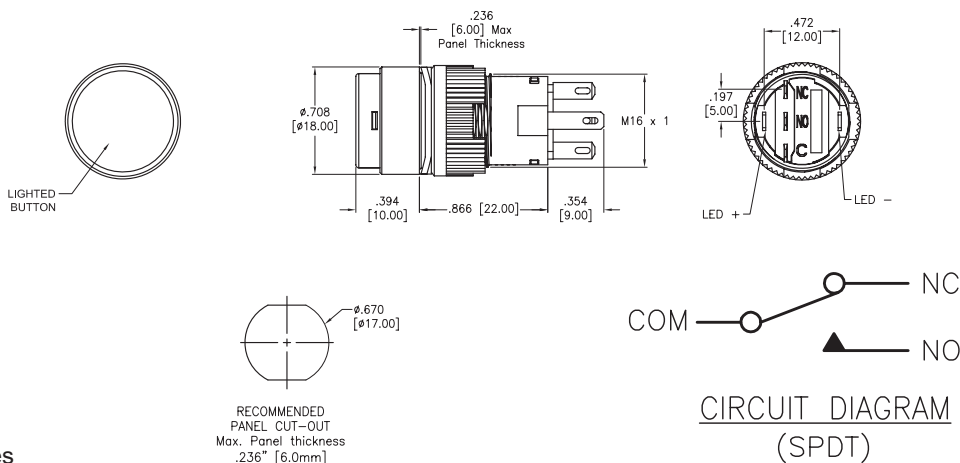
Operating temperature : -25°C to +55°C

Environmental

Front Panel Protection : IP40



Diagram



Dimensions : Millimetres

Part Number Table

Description	Button Colour	LED Voltage	Part Number
Push Button Switch, SPDT, 16mm	Red	112V	MP-PB5-AA2BR112V-IP40-8
	Green		MP-PB5-AA2BG112V-IP40-8

Important Notice : This data sheet and its contents (the "Information") belong to the members of the AVNET group of companies (the "Group") or are licensed to it. No licence is granted for the use of it other than for information purposes in connection with the products to which it relates. No licence of any intellectual property rights is granted. The Information is subject to change without notice and replaces all data sheets previously supplied. The Information supplied is believed to be accurate but the Group assumes no responsibility for its accuracy or completeness, any error in or omission from it or for any use made of it. Users of this data sheet should check for themselves the Information and the suitability of the products for their purpose and not make any assumptions based on information included or omitted. Liability for loss or damage resulting from any reliance on the Information or use of it (including liability resulting from negligence or where the Group was aware of the possibility of such loss or damage arising) is excluded. This will not operate to limit or restrict the Group's liability for death or personal injury resulting from its negligence. Multicomp Pro is the registered trademark of Premier Farnell Limited 2019.

Newark.com/multicomp-pro
 Farnell.com/multicomp-pro
 sg.element14.com/b/multicomp-pro

multicomp PRO