

Anti-Vandal Switches

Push Button

multicomp PRO

**RoHS
Compliant**

Specifications

Material

Bushing Button : Stainless Steel, Varnish Polished
Contact : Silver Alloy, (4.8mm)

Electrical

Voltage Rating : 220V
Electrical Life : ≥50,000 Cycles
Contact Resistance : ≤50mΩ
Insulation Resistance : ≥1000MΩ
Dielectric Strength : 1500V RMS 50Hz, 1 min.
Electrical Life : 1,000,000 cycles min.

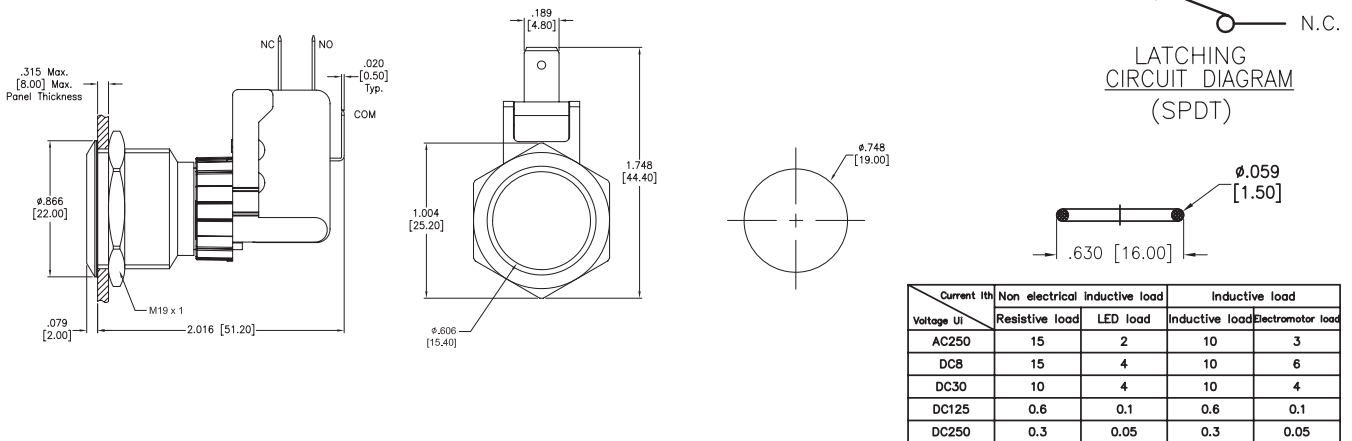
Temperature Rating

Operating temperature : -25°C to +55°C (No Freezing)
Operating Force : About 4N
Operating Travel : About 2.5mm
Torque : About 0.6Nm max. Applied to nut
IP Class : IP65
Terminal Type : Pin Terminal (4.8mm × 0.5mm)
Switching Circuit : ON—ON

Counterclockwise rotating the Nut, Will Remove the parts of operation and switch.



Diagram



Dimensions : Millimetres

Part Number Table

Description	Part Number
Anti Vandal, SPDT, On-On, Latching	MP-PB7-06B22FF

Important Notice : This data sheet and its contents (the "Information") belong to the members of the AVNET group of companies (the "Group") or are licensed to it. No licence is granted for the use of it other than for information purposes in connection with the products to which it relates. No licence of any intellectual property rights is granted. The Information is subject to change without notice and replaces all data sheets previously supplied. The Information supplied is believed to be accurate but the Group assumes no responsibility for its accuracy or completeness, any error in or omission from it or for any use made of it. Users of this data sheet should check for themselves the Information and the suitability of the products for their purpose and not make any assumptions based on information included or omitted. Liability for loss or damage resulting from any reliance on the Information or use of it (including liability resulting from negligence or where the Group was aware of the possibility of such loss or damage arising) is excluded. This will not operate to limit or restrict the Group's liability for death or personal injury resulting from its negligence. Multicomp Pro is the registered trademark of Premier Farnell Limited 2019.

Newark.com/multicomp-pro
Farnell.com/multicomp-pro
sg.element14.com/b/multicomp-pro

multicomp PRO