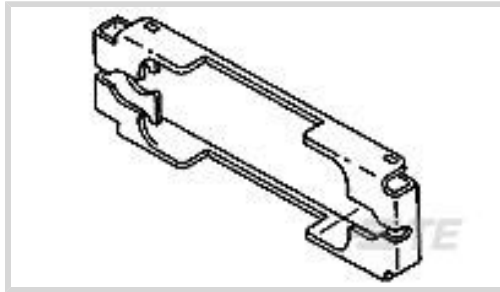




Connectors > D-Shaped Connectors > D-Sub Accessories > D-Sub Locking & Mounting



Connector Mounting Accessory Type: **Slide Latch**

Features

Product Type Features

Latch Type	Slide Latch
Connector Mounting Accessory Type	Slide Latch

Body Features

Primary Product Material	Stainless Steel
--------------------------	-----------------

Dimensions

	1.725 in
--	----------

Packaging Features

Packaging Quantity	1
Packaging Method	Package

Product Compliance

[For compliance documentation, visit the product page on TE.com>](#)

EU RoHS Directive 2011/65/EU	Compliant
EU ELV Directive 2000/53/EC	Compliant
China RoHS 2 Directive MIIT Order No 32, 2016	No Restricted Materials Above Threshold
EU REACH Regulation (EC) No. 1907/2006	Current ECHA Candidate List: JAN 2023 (233) Candidate List Declared Against: JUNE 2022 (224) Does not contain REACH SVHC
Halogen Content	Low Halogen - Br, Cl, F, I < 900 ppm per homogenous material. Also BFR/CFR/PVC Free
Solder Process Capability	Not applicable for solder process capability

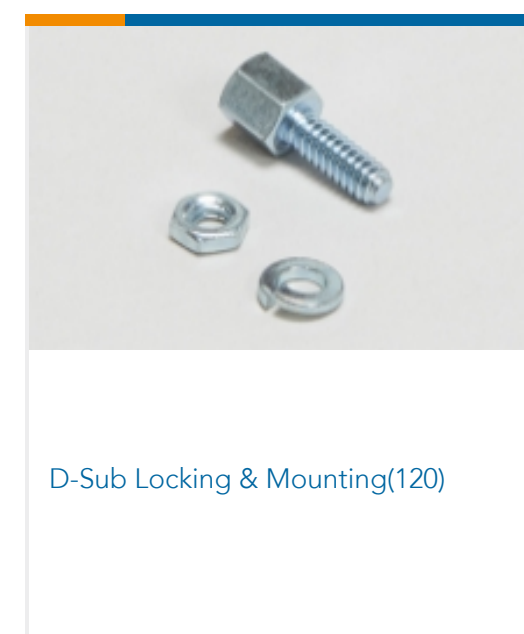
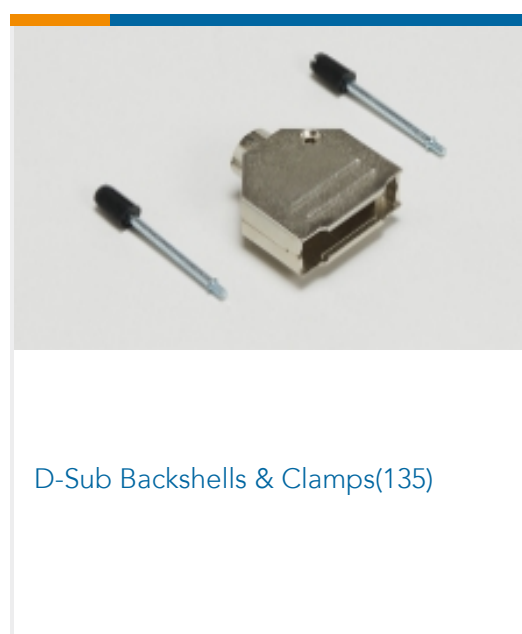
Product Compliance Disclaimer

This information is provided based on reasonable inquiry of our suppliers and represents our current actual knowledge based on the information they provided. This information is subject to change. The part numbers that TE has identified as EU RoHS compliant have a maximum concentration of 0.1% by weight in homogenous materials for lead, hexavalent chromium, mercury, PBB, PBDE, DBP, BBP, DEHP, DIBP, and 0.01% for cadmium, or qualify for an exemption to these limits as defined in the Annexes of Directive 2011/65/EU (RoHS2). Finished electrical and electronic equipment products will be CE marked as required by Directive 2011/65/EU. Components may not be CE marked. Additionally, the part numbers that TE has identified as EU ELV compliant have a maximum concentration of 0.1% by weight in homogenous materials for lead, hexavalent chromium, and mercury, and 0.01% for cadmium, or qualify for an exemption to these limits as defined in the Annexes of Directive 2000/53/EC (ELV). Regarding the REACH Regulation, the information TE provides on SVHC in articles for this part number is based on the latest European Chemicals Agency (ECHA) 'Guidance on requirements for substances in articles' posted at this URL: <https://echa.europa.eu/guidance-documents/guidance-on-reach>

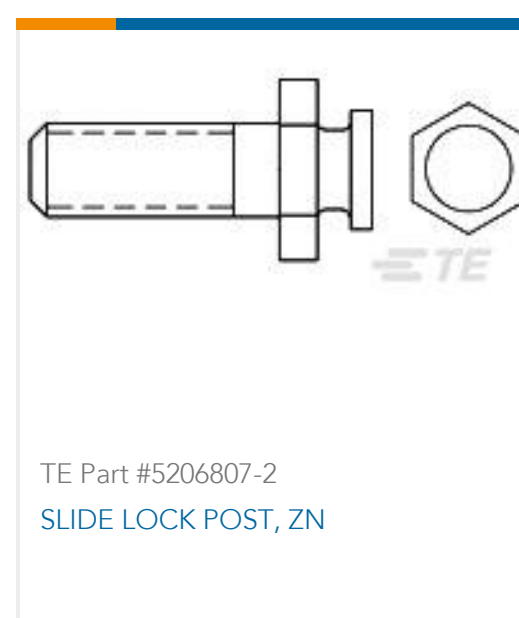
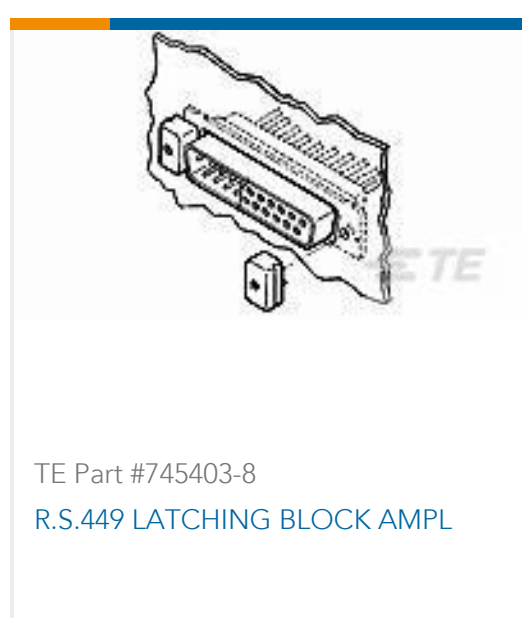
Compatible Parts

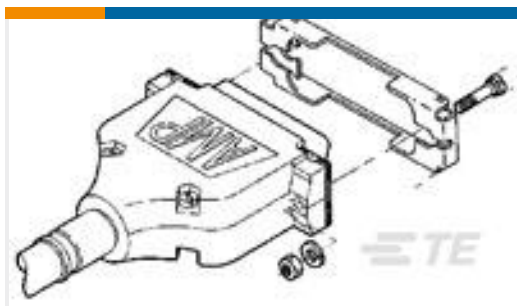


Also in the Series | AMPLIMITE Kit

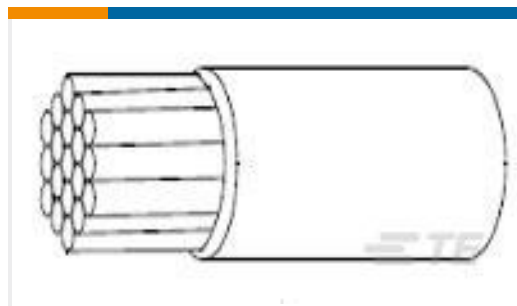


Customers Also Bought

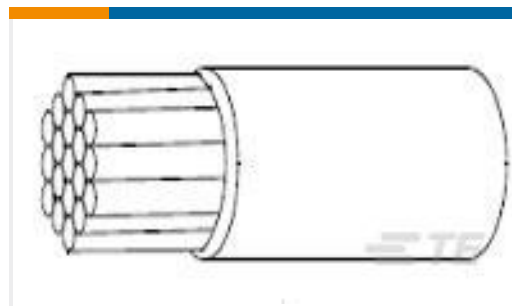




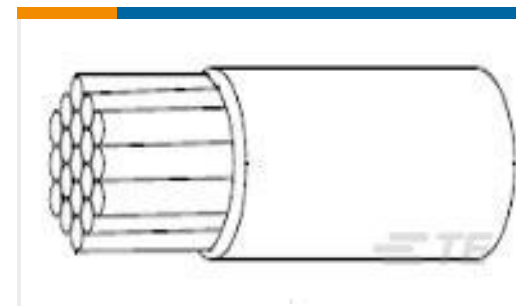
TE Part #5745583-1
UNIV SLIDLATCH KIT SZ 2



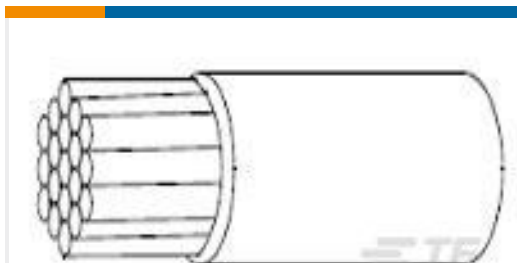
TE Part #216246-000
55A0111-26-0



TE Part #216024-007
55A0111-26-2



TE Part #216263-003
55A0111-26-1



TE Part #216264-000
55A0111-26-3

Documents

Product Drawings

SLIDELATCH UNIV REINFORCED

English

CAD Files

3D PDF

3D

Customer View Model

[ENG_CVM_CVM_749027-1_H.2d_dxf.zip](#)

English

Customer View Model

[ENG_CVM_CVM_749027-1_H.3d_igs.zip](#)

English

Customer View Model

[ENG_CVM_CVM_749027-1_H.3d_stp.zip](#)

English

By downloading the CAD file I accept and agree to the [Terms and Conditions](#) of use.

Datasheets & Catalog Pages

AMPLIMITE Subminiature D Connectors - Cable Connectors

English

AMPLIMITE Cable Connectors and Shielding Hardware Kits QRG

English

Product Specifications

Application Specification

English



Product Environmental Compliance

[MD_749027-1_07082012234](#)

English

[MD_749027-1_07082012234](#)

English