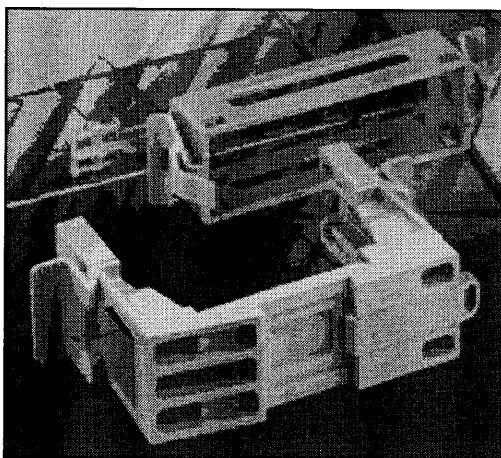


[HOME](#)[PROFILE](#)[PRODUCTS](#)[NEWS](#)[CONTACT US](#)[SITE MAP](#)**LAPP USA ONLINE CATALOG****CONNECTOR ACCESSORIES**

QUICK & EASY DIN RAIL ADAPTERS

Lapp introduces a NEW Quick & Easy DIN Rail Connector Mounting System. The Quick & Easy system greatly simplifies mounting a wide range of EPIC® connectors onto standard DIN rail without the added cost of housings. Contact's DIN rail mounting system has been completely redesigned. The system can be purchased as one complete unit or the upper and lower portions can be purchased separately. The upper portions come in 4 different sizes to accommodate HBE, HD, HDD, HBS, HBVE, Modular (MC) contact inserts. The bottom portion of the system adjusts to accommodate all 4 sizes. The inserts can now simply be snapped into place, eliminating the need for screws. The system components lock into place via snap hooks and are directly mateable with existing competitor's systems such as Harting HAN® Snap. The slider latch allows for the quick removal and attachment of the base from the DIN rail for wiring. Also, the unit can be labeled in three places with printed or handwritten labels. A special coding set with key pin will allow for coding of the inserts to prevent mismatch of side by side mounted connectors.



Features & Benefits

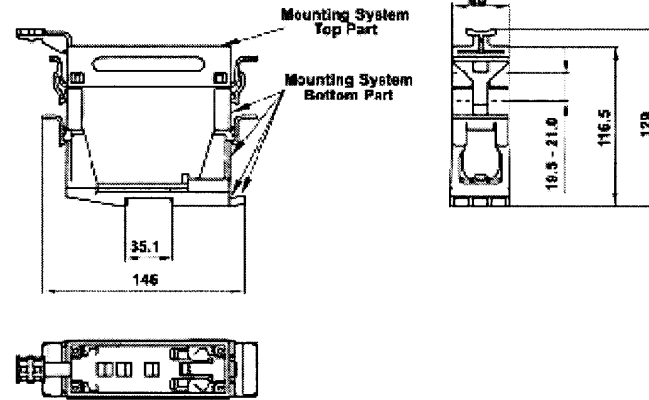
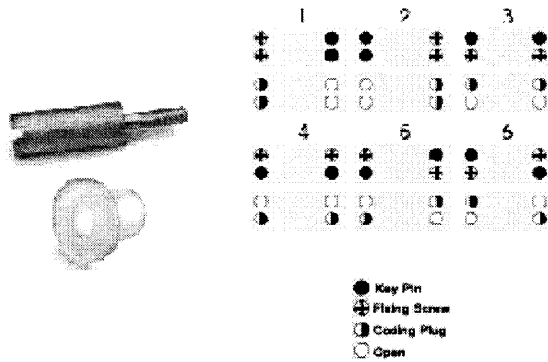
Technical Data:

- **Locking Device:** For DIN Rail according to DIN EN 50022
- **Material:** Polycarbonate
- **Material Properties:** Phosphorus & Halogenous free
- **Combustibility Class:** V0 (UL 94)
- **Temperature Range:** -40° to 125°C

Features:

- Inserts do not have to be screwed into place.
- Locking done via snap hooks. Mateable with HAN® Snap.
- Minimal effort is necessary during rewiring because the top part can be removed from the lower part using the snap hooks.
- Ability to label unit in three places.
- The base plate accommodates the four different sizes.
- The latch on the slider allows for the quick removal and attachment to Din Rail.

[Key Pin & Coding Plug](#)[Coding Scheme](#)[Dimensional Data](#)



Assembly Instructions

Complete Systems:

Part #

- 10.027000
- 10.027100
- 10.027200
- 10.027300

* **Standard Pack of 1**

Description

- HBE 6 Complete Quick & Easy Set
- HBE 10 Complete Quick & Easy Set
- HBE 16 Complete Quick & Easy Set
- HBE 24 Complete Quick & Easy Set

Upper Part of System

Part #

- 10.027410
- 10.027510
- 10.027610
- 10.027710

* **Standard Pack of 10**

Description

- HBE 6 Top Part of Quick & Easy System
- HBE 10 Top Part of Quick & Easy System
- HBE 16 Top Part of Quick & Easy System
- HBE 24 Top Part of Quick & Easy System

Lower Part of System

Part #

- 10.027810

* **Standard Pack of 10**

Description

- HBE 6, 10, 16, 24 Bottom Part of Quick & Easy System

Coding Set:

Part #

10.028000

*** Standard Pack of 50**

Description

Key Pin & Coding Plug

[Download a PDF Version](#)

LAPP USA ■ 29 HANOVER ROAD, FLORHAM PARK, NJ 07932

SALES TEL: 1-800-774-3539 ■ SALES FAX: 973-660-9330

A Lapp Group Company

Lapp North America ▾ Distributor Locator ▾ GO

Online
Inquiry



[Home](#) [Products](#) [News](#) [Contact Us](#)

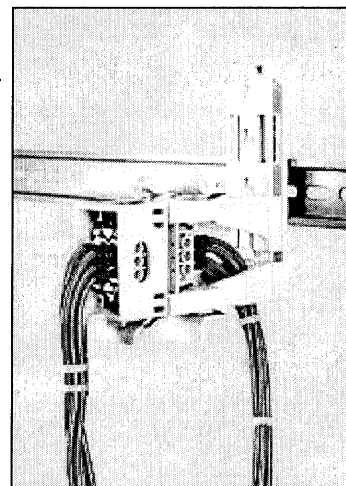
INDUSTRIAL
CONNECTORS

QUICK & EASY DIN RAIL MOUNTING

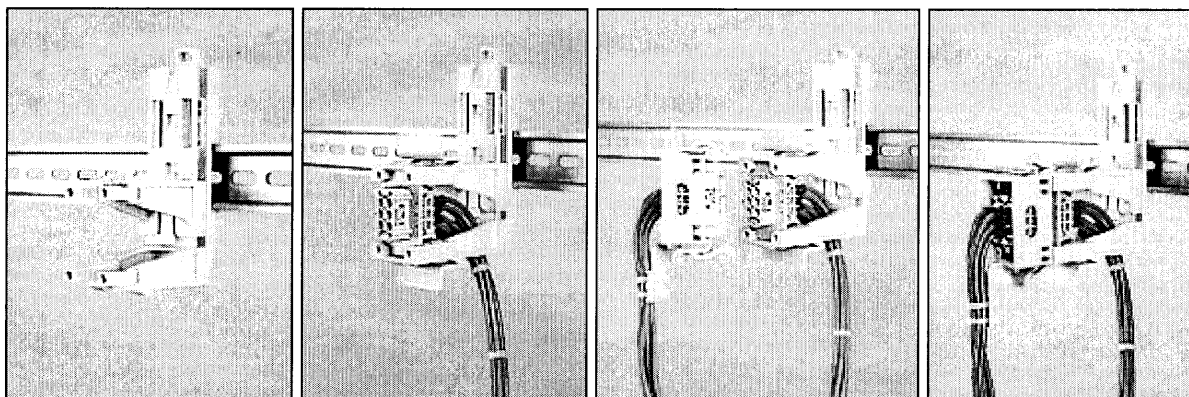
The Contact Connector Mounting system (Quick and Easy) is a new Modular concept for DIN Rail mounting, and is used with the EPIC® rectangular connector range of inserts H-BE, H-D, H-DD, H-BS and H-BVE series.

It takes minimal effort to mount the new system which is proving to be a time saving and low cost alternative to replacing housings in control cabinets.

- Minimal effort to install modular system
- Modular base plate accommodates four overall sizes of insert
- Pre-set positions to accommodate 4 different size inserts
- Minimal time and effort replacing housings in control cabinets
- Adhesive identification labels can be attached to handles
- Easy assembly - modules simply snap together
- Easy to change inserts on future assemblies



STAGES OF ASSEMBLY:



• To fix the base plate to the DIN rail, push the flap (on the slider) back slightly, and push the base plate on the DIN rail. The flap clicks in automatically when released.

• The rider allows any of the four series, H-BE 6, 10, 16 and 24 to be mounted using the same base plate. To adjust the rider, lift the latch at the base and slide it into the position applicable to the series to be used. This system allows for a different size insert to be easily assembled in future installations.

• Assemble the two halves of the lower insert holders by pushing them on to the earth termination points of the insert. The four fixing screw pillars on the riders are pushed into the square location posts on the insert holders and snapped into position with the squeeze catches. The fixing screws do not have to be used but may be advisable on the high pin count inserts. Adhesive identification labels can be used on the surfaces of the squeeze catch handles.

[BACK TO INDUSTRIAL CONNECTORS HOME](#)

[\[home\]](#) [\[products\]](#) [\[news\]](#) [\[contact us\]](#) [\[employment\]](#) [\[about us\]](#) [\[e-mail\]](#)