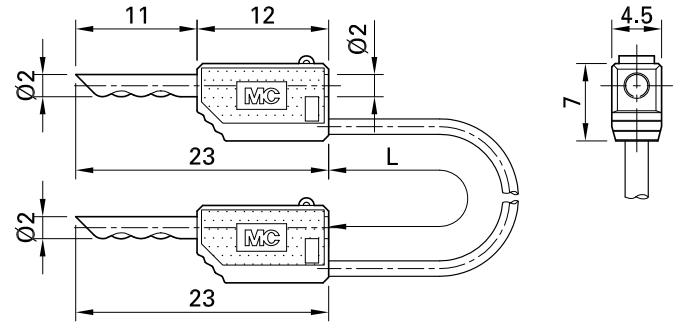
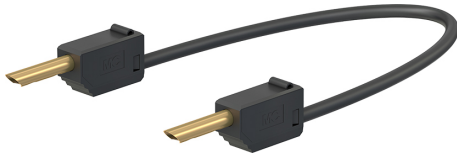


LK2-F



Item number 28.0033-*

Highly flexible with stackable Ø 2 mm hollow plugs on both ends.

Technical data	
Diameter of plug system	2 mm
Rated Values	30 V, 10 A / 60 V, 10 A
Surface treatment electrical contact	Au
Standard color(s) *	21 22 23
Optional color(s)	24 25 27 28 29
Lead lengths <input type="text"/>	015; 030; 045; 060 cm
Lead insulation	PVC
Lead cross section	0,5 mm ²
Test accessory acc. to	IEC EN 61010-031
User-Information	I 093