

D Sub Connectors

multicomp PRO

**RoHS
Compliant**

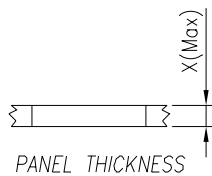
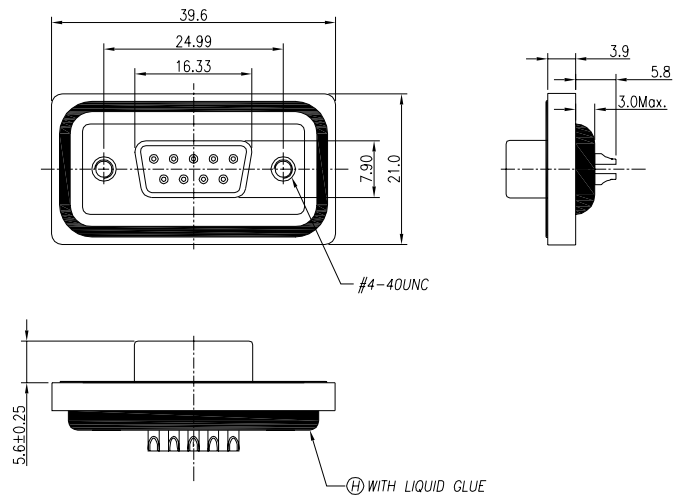
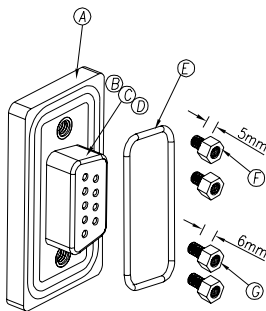


Specification

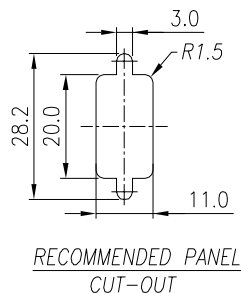
Material

| | |
|--------------------------------|------------------------------------------------------------------------|
| Water proof Rate | : IP68 (When properly mated) IP67 Immersed in 1M water for 24 hours |
| Signal contact current rating | : 5 Amps |
| Voltage Rating | : 120V AC. |
| Dilectric Withstanding Voltage | : 1000V AC V rms |
| Insulation Resistance | : 100MΩ min. at 500V DC |
| Contact Resistance | : 25mΩ Max. |
| Operating Temperature | : 40°C to +105°C |
| Do mating test after glued | |

Diagram



SCREW L=5.0 FOR PANEL THICKNESS UNDER 1.2mm
SCREW L=6.0 FOR PANEL THICKNESS BETWEEN 1.2~2.0mm



Dimensions : Millimetres

Newark.com/multicomp-pro
Farnell.com/multicomp-pro
sg.element14.com/b/multicomp-pro

multicomp PRO

D Sub Connectors

| No. | Description | Qty. | Material | Plating & Color |
|-----|-------------|------|-------------------|-----------------|
| A | Body | 1 | Nylon+GF | Black |
| B | Insulator | 2 | PBT | Black |
| C | Shell | 2 | Cold Roller Steel | NI Plated |
| D | Female pin | 9 | Phosphor Bronze | Gold Plated |
| E | O-Ring | 1 | Silicone | Light Blue |
| F | Screw | 2 | Brass | Ni Plated 80u |
| G | Screw | 2 | Brass | Ni Plated 80u |
| H | Liquid Glue | 1 | Epoxy | Black |

Part Number Table

| Description | Part Number |
|-------------------------------|-------------|
| D-sub Female Connector, 9 Pin | MP011818 |

Important Notice : This data sheet and its contents (the "Information") belong to the members of the AVNET group of companies (the "Group") or are licensed to it. No licence is granted for the use of it other than for information purposes in connection with the products to which it relates. No licence of any intellectual property rights is granted. The Information is subject to change without notice and replaces all data sheets previously supplied. The Information supplied is believed to be accurate but the Group assumes no responsibility for its accuracy or completeness, any error in or omission from it or for any use made of it. Users of this data sheet should check for themselves the Information and the suitability of the products for their purpose and not make any assumptions based on information included or omitted. Liability for loss or damage resulting from any reliance on the Information or use of it (including liability resulting from negligence or where the Group was aware of the possibility of such loss or damage arising) is excluded. This will not operate to limit or restrict the Group's liability for death or personal injury resulting from its negligence. Multicomp Pro is the registered trademark of Premier Farnell Limited 2019.