

ALUMINUM NITRIDE

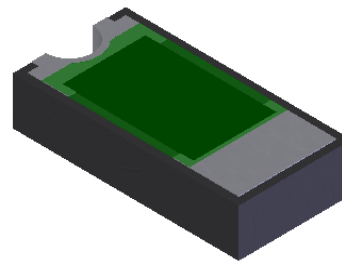
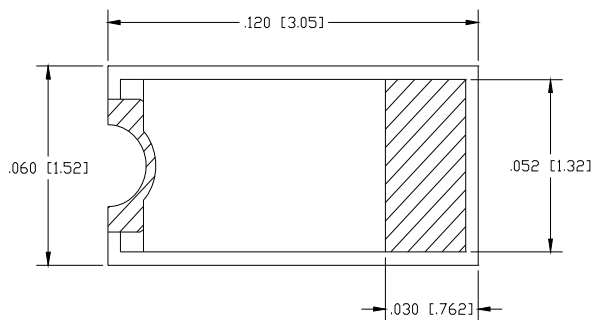
CHIP TERMINATION

Features:

- ◆ Aluminum Nitride Material
- ◆ DC - 3 GHz Performance
- ◆ 20 Watt Input Power
- ◆ Solder Mountable

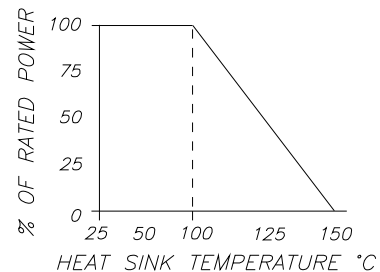
General Description:

The TVC1206CT-50R0JN-2S is a 50 ohm, Aluminum Nitride chip termination. It has an input power rating of 20 watts, while maintaining a constant mounting surface temperature of 100°C. It offers a frequency range from DC to 3 GHz.



Dimensions in inches [mm]
Tolerance $\pm .005$ [.127]
unless otherwise stated

DERATING CURVE:



Parameter	Min.	Typ.	Max.	Units
Frequency Range	DC		3	GHz
Input Return Loss	20			dB
Input Power			20	Watts
Resistance	47.5	50	52.5	Ohms
Mounting Surface Temperature			100	°C

Barry Industries reserves the right to change part number and or process without notification.

Barry Industries, Inc., 60 Walton St., Attleboro, MA 02703 T: 508-226-3350 F: 508-226-3317 E-mail: sales@barryind.com

Barry Industries maintains an ISO 9001 Certified Quality Management System

Origination Date	Revision Date	Rev.
02/06/04	02/23/09	C