

USER MANUAL

FAMILY EVALUATION BOARD FOR
RADIO MODULES PROTEUS-I, -II,
-III, -III-SPI, SETEBOS-I, THYONE-I

2608011x24000,
2608011x24010,
26110110240x0, 26110110210x0

VERSION 1.1

DECEMBER 8, 2022

WÜRTH ELEKTRONIK MORE THAN YOU EXPECT

MUST READ

Check for firmware updates

Before using the product make sure you use the most recent firmware version, data sheet and user manual. This is especially important for Wireless Connectivity products that were not purchased directly from Würth Elektronik eiSos. A firmware update on these respective products may be required.

We strongly recommend to include in the customer system design, the possibility for a firmware update of the product.

Revision history

Manual version	HW version	Notes	Date
1.0	1.0	<ul style="list-style-type: none">• Initial version	June 2022
1.1	1.0	<ul style="list-style-type: none">• Correction chapter 3.6	December 2022

Abbreviations

Abbreviation	Name	Description
Bluetooth LE	Bluetooth Low Energy	
COM port	Communication port	
EV	Evaluation	
ESD	Electro Static Discharge	
FTDI	Future Technology Devices International	
GND	Ground	
HIGH	High signal level	
IO	Input & Output	
JTAG	Joint Test Action Group	
LED	Light Emitting Diode	
LFCLK	Low Frequency Clock	
LFXO	Low Frequency crystal Oscillator	
LOW	Low signal level	
NFC	Near Field Communication	
OTA	Over The Air	
PC	Personal Computer	
PCB	Printed Circuit Board	
RF	Radio Frequency	Describes everything relating to the wireless transmission
RPS	Radio Protocol Selection	Pin of the Setebos-I module for selection of radio protocol (Proprietary or Bluetooth Low Energy)
SMA	SubMiniature version A	
SPI	Serial Peripheral Interface	
SWD	Serial Wire Debug	
THT	Through-Hole Technology	
UART	Universal Asynchronous Receiver Transmitter	Universal Asynchronous Receiver Transmitter allows communicating with the module of a specific interface
USB	Universal Serial Bus	
VDD	Voltage Drain Drain	Supply voltage

Contents

1	Supported radio modules	5
2	Functional description	7
2.1	Taking into operation - PC	7
2.2	Taking into operation - Host controller	8
3	Development board	9
3.1	Block diagram	9
3.2	Additional assembly	10
3.3	Connectors and ports	12
3.3.1	P1: Module communication access pins / TTL-232R-3V3 FTDI cable connector	13
3.3.1.1	Proteus-I, Proteus-II	13
3.3.1.2	Proteus-III, Proteus-III SPI, Setebos-I, Thyone-I	14
3.3.2	P2: Power supply / Current Measurement	15
3.3.3	P3: Module debug access pins	15
3.3.4	P4: Module GPIO access pins	16
3.3.4.1	Proteus-I, Proteus-II	16
3.3.4.2	Proteus-III, Proteus-III-SPI, Setebos-I, Thyone-I	17
3.3.5	CON2: Debugging Interface-2x10 pin header	17
3.3.6	SMA	18
3.3.6.1	Proteus-I/-II	18
3.3.6.2	Smart antenna	19
3.4	Jumpers	20
3.4.1	Current measurement	21
3.4.2	Setebos-I functions	21
3.4.3	Boot mode	22
3.5	Reset button	23
3.6	Function blocks	24
3.6.1	Power supply	24
3.6.1.1	Pin header P1, power supply through TTL-232R-3V3	25
3.6.1.2	Pin header P1, power supply through dedicated pins	25
3.6.1.3	Pin header P2, power supply through external source	26
3.6.2	UART / USB	27
3.6.3	UART direct	27
3.6.4	SPI direct	27
3.6.5	LFXO crystal	27
3.6.6	Programming interface	29
3.6.7	LEDs	29
3.6.7.1	Proteus-I, Proteus-II, Proteus-III, Proteus-III-SPI, Thyone-I, Setebos-I	29
3.7	Schematic - Proteus-III, Proteus-III-SPI, Thyone-I, Setebos-I	30
3.8	Schematic -Proteus-I, Proteus-II	31
3.9	Layout	32
3.10	Bill of materials	34

4	Regulatory compliance information	35
4.1	European Conformity	35
4.2	FCC	35
4.3	Exemption clause	35
5	References	36
6	Important notes	37
6.1	General customer responsibility	37
6.2	Customer responsibility related to specific, in particular safety-relevant applications	37
6.3	Best care and attention	37
6.4	Customer support for product specifications	37
6.5	Product improvements	38
6.6	Product life cycle	38
6.7	Property rights	38
6.8	General terms and conditions	38
7	Legal notice	39
7.1	Exclusion of liability	39
7.2	Suitability in customer applications	39
7.3	Trademarks	39
7.4	Usage restriction	39
8	License terms	41
8.1	Limited license	41
8.2	Usage and obligations	41
8.3	Ownership	42
8.4	Firmware update(s)	42
8.5	Disclaimer of warranty	42
8.6	Limitation of liability	43
8.7	Applicable law and jurisdiction	43
8.8	Severability clause	43
8.9	Miscellaneous	43

Content 2608049024001	Quantity
Family Board with Proteus-I integrated PCB antenna	1

Table 2: Content Family Board Proteus-I

Content 2608049024011	Quantity
Family Board with Proteus-II integrated PCB antenna	1

Table 3: Content Family Board Proteus-II

Content 2611149024001	Quantity
Family Board with Proteus-III on-board PCB antenna connection	1

Table 4: Content Family Board Proteus-III

Content 2611149024011	Quantity
Family Board with Proteus-III-SPI on-board PCB antenna connection	1

Table 5: Content Family Board Proteus-III-SPI

Content 2611149024021	Quantity
Family Board with Setebos-I on-board PCB antenna connection	1

Table 6: Content Family Board Setebos-I

Content 2611149021001	Quantity
Family Board with Thyone-I on-board PCB antenna connection	1

Table 7: Content Family Board Thyone-I

2 Functional description

The Family Board is an intuitive, application oriented and cost effective EV board version to evaluate a wide range of Würth Elektronik eiSos radio modules. It offers the user the possibility to develop hard- and software for the corresponding radio module.

By default, the Family Board is assembled with pin headers to take the module into operation. The necessary components shall be assembled by the user based on the need and application.

The Family Board is a balance for both experienced and non-experienced developers, as additional accessories and basic soldering skills are necessary to evaluate all the functions of the radio module.

Out of the box, the board supports minimum test scope. With additional accessories and basic soldering skills it is possible to enlarge test scope of the radio module.

Accessories required to test full scope of the radio module are:

- Additional assembly components listed in the table 8 and soldering equipment
- TTL-232R-3V3 FTDI cable [1]

All pins are available on pads where a pin header can be soldered in. The pins that are needed for minimal pin configuration are available on already equipped headers, e.g. to connect a micro controller or a PC and to set jumpers to choose operating modes of the radio module.

2.1 Taking into operation - PC

To use the TTL-232R-3V3 FTDI cable [1], the corresponding FTDI driver package [2] has to be installed on the PC following the installation guidelines [3].

The TTL-232R-3V3 FTDI cable shall be connected to the pin header P1 of the Family Board. It is important that the VDD is stable and able to reliably supply the module's static and peak current consumption, as specified by the module manual. A minimum board supply current of 50mA is necessary.



Incorrect orientation of TTL-232R-3V3 FTDI cable will damage the radio module. For easy orientation, the pin number 1 and signals are labeled.

The next step is to connect the Family Board to the PC using the TTL-232R-3V3 FTDI cable. In that way, a COM port can be detected and installed on the PC. In the device manager, the COM port name of the TTL-232R-3V3 FTDI cable can be found. A COM port shall appear for example: "COM12" in Windows systems or "/dev/ttyUSB0" in Linux systems.

The WE-SmartCommander [10] or any other serial terminal program (like hterm [4] for Windows) has to be run and the corresponding COM port has to be opened using the default settings of the mounted radio module.

After the module is powered through the TTL-232R-3V3 FTDI cable or an alternative power supply, the reset button should be pressed to ensure the correct functionality of the module.

The detailed module specific quick start instructions can be found in the corresponding radio module user manuals [5, 6, 7, 8, 9, 11].



When taking the Setebos-I module into operation with the WE-SmartCommander, either the Proteus-III or the Thyone-I module has to be selected on the graphical user interface, depending on the jumper setting.

2.2 Taking into operation - Host controller

To take the Family Board into operation using a host controller, the pin header P1 shall be used.

An external power supply shall be connected to the Family Board. The power supply option 3 or 4 from the table 21 shall be used. It is important that the VDD is stable and able to reliably supply the module's static and peak current consumption, as specified by the module manual. A minimum board supply current of 50mA is necessary.

The next step is to connect the communication lines of the module to the host controller. The headers P1, P2 and P3 can be used to connect the module pins and host.

The detailed module specific quick start instructions can be found in the corresponding radio module user manuals [5, 6, 7, 8, 9, 11].

3 Development board

3.1 Block diagram

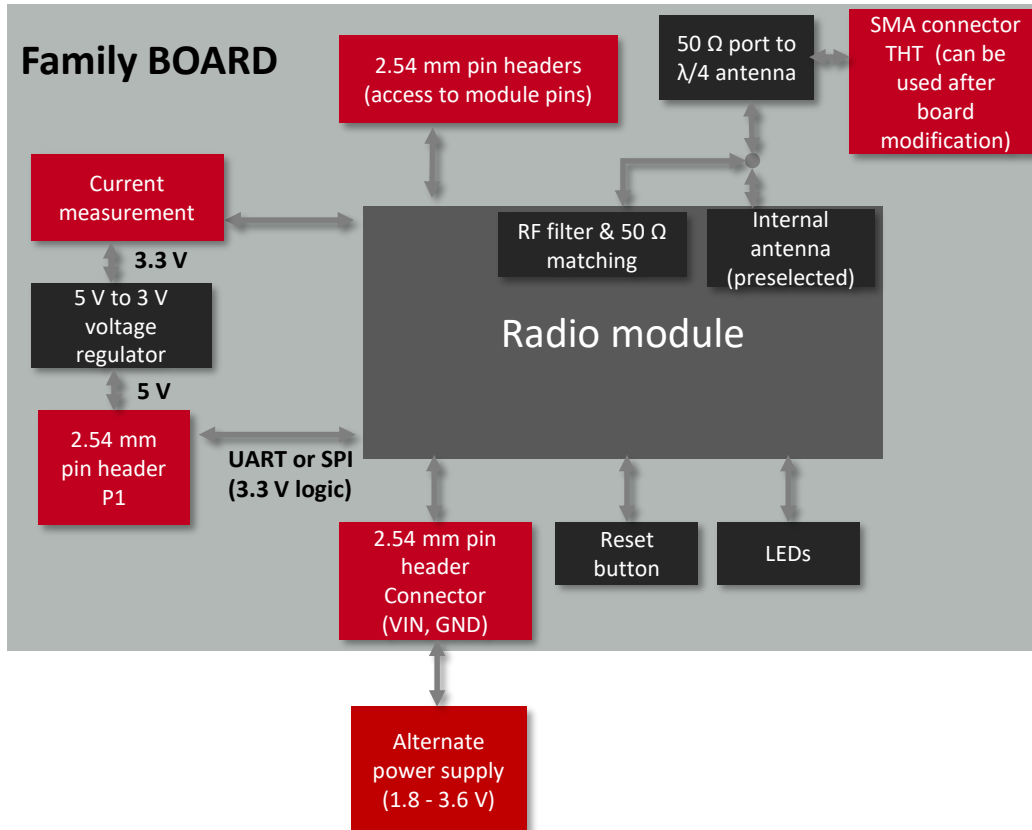


Figure 2: Block diagram

3.2 Additional assembly

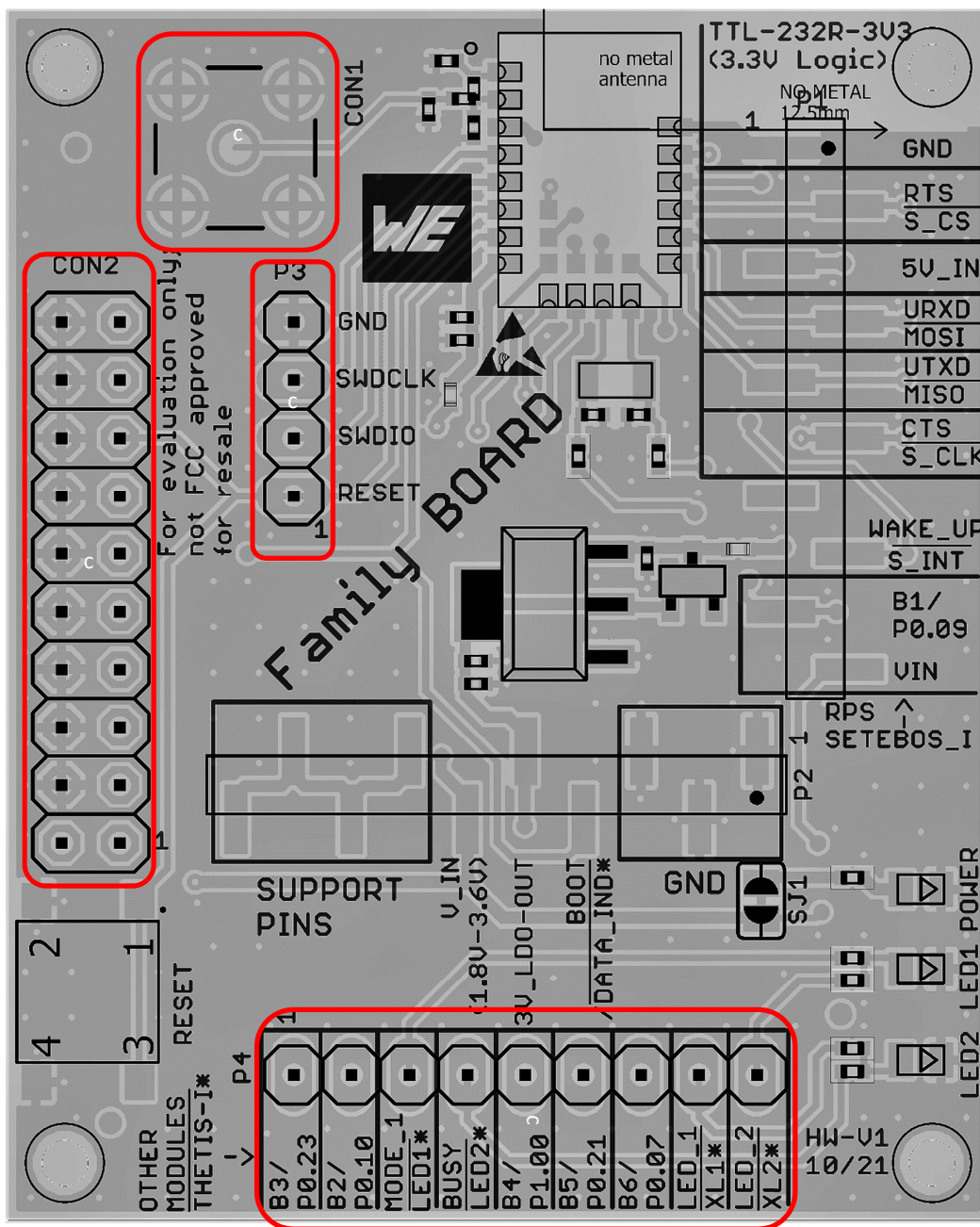


Figure 3: Additional assembly

The table 8 lists the additional assembly components for Family Board. All the components listed in table 8 are THT components.

Placeholder	Function	Pins	WE Article Number
P3	Module debug access pins	1X4	<i>61300411121</i>
P4	Module GPIO access pins	1X9	<i>61300911121</i>
CON1	External antenna connection	5	<i>60312002114503</i>
CON2	Debugging interface	2X10	<i>61302021121</i>

Table 8: Additional assembly components



Holes with 2 mm diameter on all the four corners are available for spacer or standoff connections

3.3 Connectors and ports

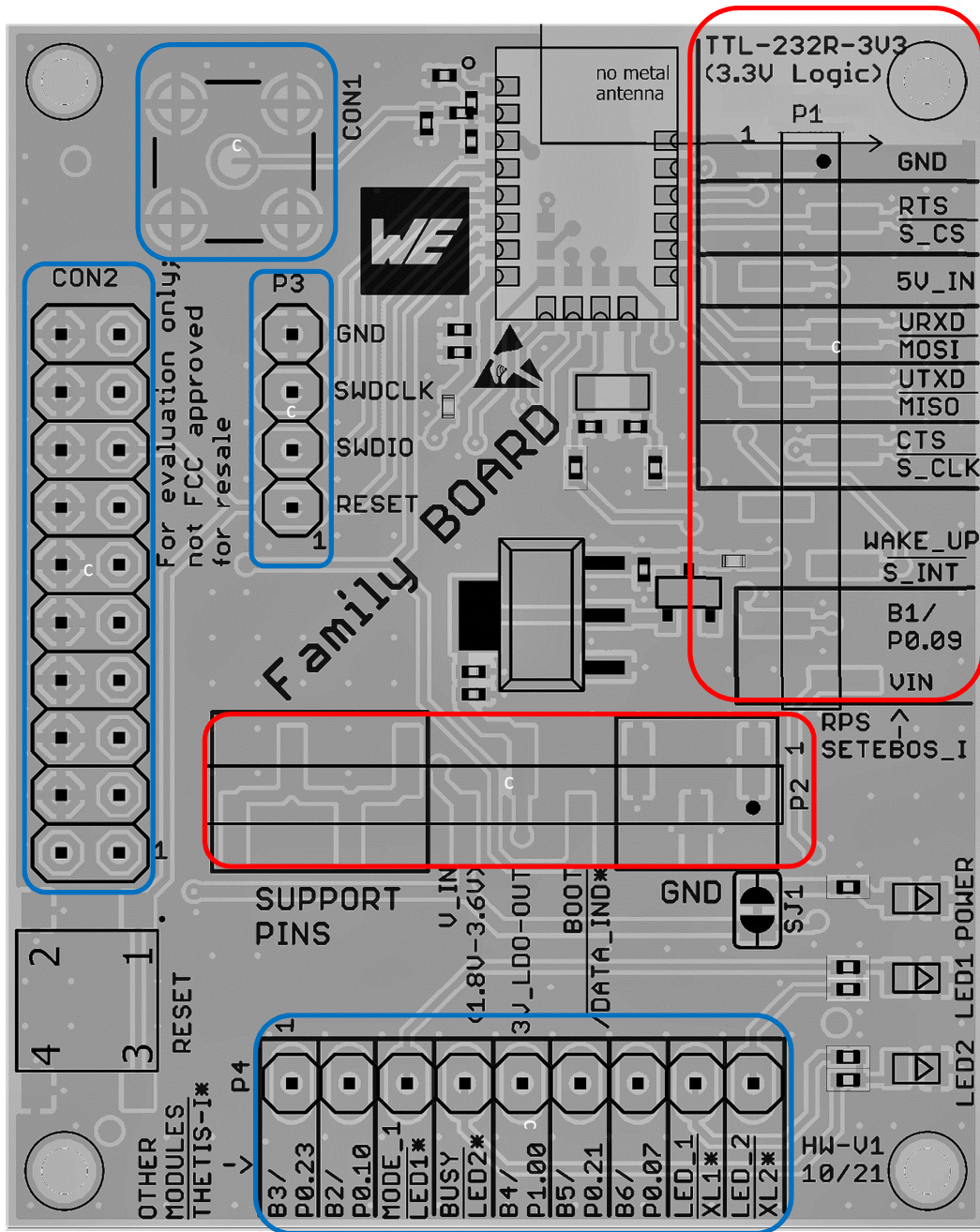


Figure 4: Connectors

3.3.1 P1: Module communication access pins / TTL-232R-3V3 FTDI cable connector**3.3.1.1 Proteus-I, Proteus-II**

P1	nRF52832	Board connection	Proteus-I,-II
1	GND	GND	GND
2	P0.04	Module pin 14	/RTS
3	-	5V0 (Board power supply)	-
4	P0.03	Module pin 13	URXD
5	P0.02	Module pin 12	UTXD
6	P0.28	Module pin 15	/CTS
7	-	-	-
8	P0.29	Module pin 16	WAKE_UP
9	-	-	-
10	VDD	V_IN (Module VDD)	Power supply

Table 9: Pin header P1

3.3.1.2 Proteus-III, Proteus-III SPI, Setebos-I, Thyone-I

P1	nRF52840	Board connection	Proteus-III, Setebos-I, Thyone-I	Proteus-III-SPI
1	GND	GND	GND	GND
2	P0.11	Module pin 15	/RTS	SPI_CS
3	-	5V0 (Board power supply)	-	-
4	P1.09	Module pin 14	URXD	SPI_MOSI
5	P1.08	Module pin 13	UTXD	SPI_MISO
6	P0.12	Module pin 16	/CTS	SPI_CLK
7	-	-	-	-
8	P0.03	Module pin 17	WAKE_UP	WAKE_UP/ SPI_INT
9	P0.09	Module pin B1	Not applicable (Proteus-I,-II) RESERVED (Proteus-III, Thyone-I) RPS (Radio Protocol Select, for Setebos-I)	RESERVED
10	VDD	V_IN (Module VDD)	Power supply	Power supply

Table 10: Pin header P1



P1 pin header pin 1 to 6 are used to connect the TTL-232R-3V3 FTDI cable. P1 pin header can also be used for direct host connection.



In case of Setebos-I, the pin B1/RPS on pin header P1 is used to select the radio protocol (proprietary or Bluetooth® LE 5.1).

3.3.2 P2: Power supply / Current Measurement

P2	Board connection	Function
1	GND	GND
2	GND	GND
3	GND	GND
4	P0.01	BOOT (Other Modules)
5	On-board LDO Output	3V Output
6	V_IN	Module Power supply (VDD)
7	Open Pins 1x4	Support pins for more connection
8	Open Pins 1x4	Support pins for more connection
9	Open Pins 1x4	Support pins for more connection
10	Open Pins 1x4	Support pins for more connection

Table 11: Pin header P2

All the information related to the power supply are described in chapter 3.6.1.



Support pins shall be used to provide multiple connection to the same net. Pin header P2 pins 7-10 are connected internally. For instance, a jumper can be set on P2 pin 6-7 providing V_IN access on the pin header P2 Pin 8,9,10.

3.3.3 P3: Module debug access pins

P3	Module connection	Function
1	P0.21 (Proteus-I, Proteus-II) P0.18 (Proteus-III, Proteus-III-SPI, Setebos-I, Thyone-I)	RESET
2	SWDIO	SWDIO
3	SWDCLK	SWDCLK
4	GND	GND

Table 12: Pin header P3

3.3.4 P4: Module GPIO access pins

3.3.4.1 Proteus-I, Proteus-II

P4	nRF52832	Board connection	Proteus-I,-II
1	-	-	-
2	-	-	-
3	P0.10	Module pin 8	MODE_1
4	P0.09	Module pin 9	BUSY
5	-	-	-
6	-	-	-
7	-	-	-
8	P0.00	Module pin 10	LED_1
9	P0.02	Module pin 11	LED_2

Table 13: Pin header P4

3.3.4.2 Proteus-III, Proteus-III-SPI, Setebos-I, Thyone-I

P4	nRF52840	Board connection	Proteus-III, Proteus-III-SPI, Setebos-I, Thyone-I
1	P0.23	Module pin B3	RESERVED
2	P0.10	Module pin B2	RESERVED
3	P0.19	Module pin 9	MODE_1
4	P0.22	Module pin 10	BUSY
5	P1.00	Module pin B4	RESERVED
6	P0.21	Module pin B5	RESERVED
7	P0.07	Module pin B6	RESERVED
8	P0.00	Module pin 11	LED_1
9	P0.01	Module pin 12	LED_2

Table 14: Pin header P4

3.3.5 CON2: Debugging Interface-2x10 pin header

CON2	nRF52840	Function
1		VDD
7	SWDIO	SWDIO
9	SWCLK	SWCLK
15	P0.21 (Proteus-I, Proteus-II) P0.18 (Proteus-III, Proteus-III-SPI, Setebos-I, Thyone-I)	RESET
4,6,8,10,12,14,16,18,20	GND	GND
2,3,5,11,13,17,19	-	-

Table 15: JTAG debugging interface

3.3.6 SMA

SMA connector is used to connect an external antenna. The 2.4 GHz antenna Himalia (2600130021) is a perfect match.

CON1	Connection
Inner	Module RF pin
Outer	4 x GND

Table 16: Pin header SMA

3.3.6.1 Proteus-I/-II

For Proteus-I and Proteus-II modules the integrated antenna variant is assembled on the Family Board.



For these radio modules, the use of the external antenna is not possible on the Family Board.

3.3.6.2 Smart antenna

The so called "smart antenna" solution allows to use the external antenna or internal antenna of the radio module just via mounting external components to the module.

By default, internal PCB antenna connection is used. In order to use an external SMA antenna, 2 pF capacitor (0402) on position C1 shall be populated. C2 shall be removed, C8, C11 and C12 should be left unpopulated.



Optional: Experts have the possibility to use C1, C8 and C11 for additional filtering or fine tuning to the actually used antenna. C1 = 2pF rematches the module to the Family Board providing best performance at the SMA connector.

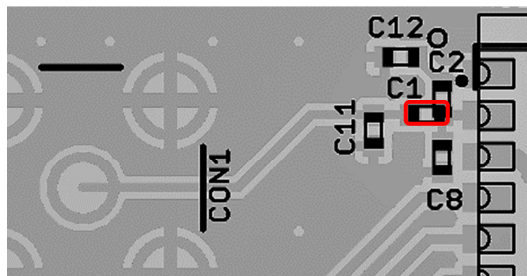


Figure 5: Capacitor connection to external antenna

In order to use the internal PCB antenna of the module, a 2 pF capacitor (0402) on position C2 shall be populated. C1 shall be removed, C8 and C11 should be left unpopulated.

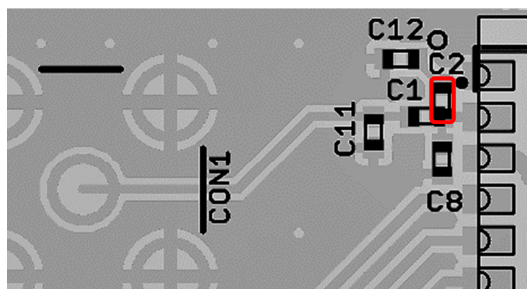


Figure 6: Capacitor connection to internal antenna

3.4 Jumpers

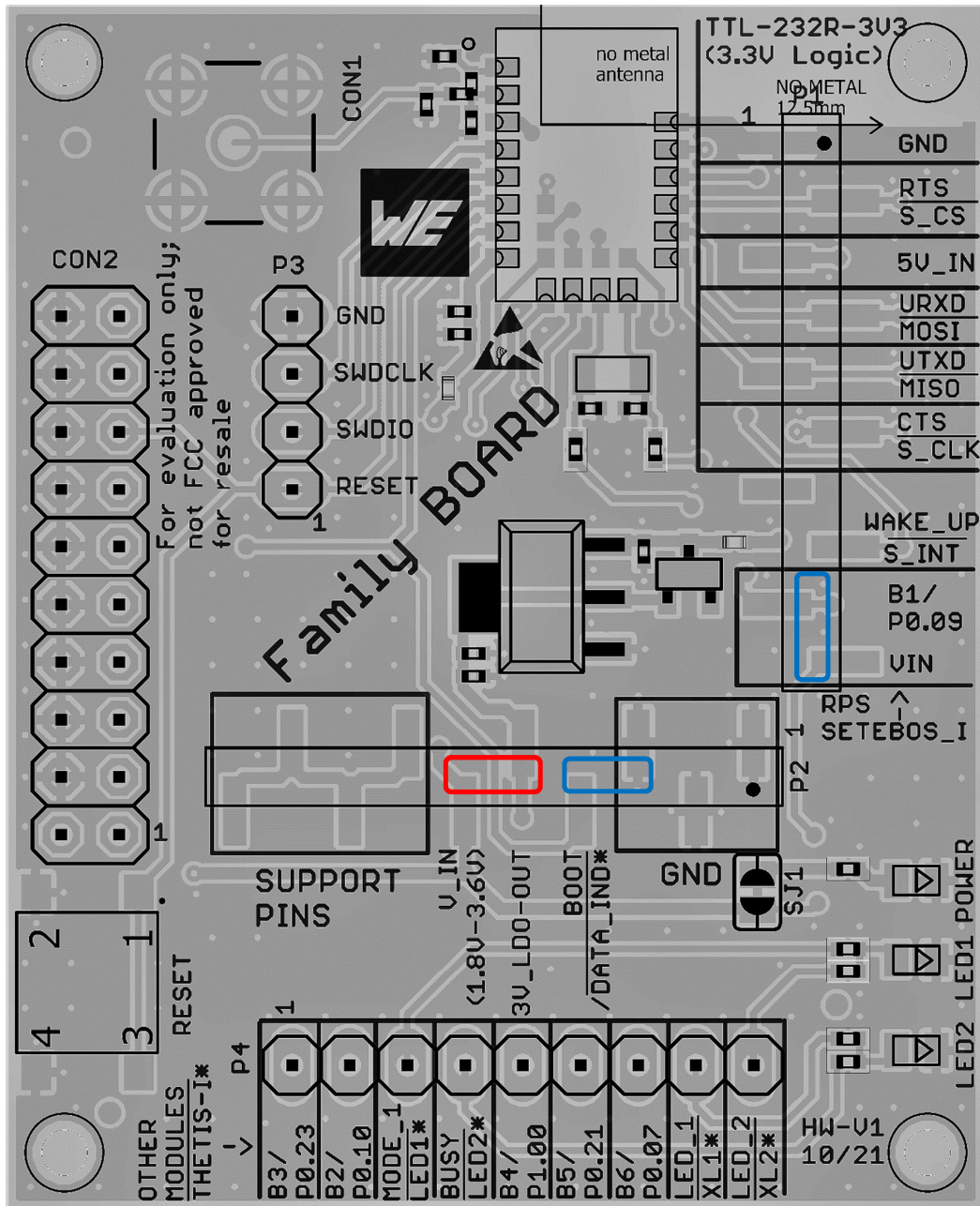


Figure 7: Jumpers

Pins	Function	Default state
P2 Pin (5-6)	Current measurement	set
P1 Pin (9-10)	Setebos-I functions	not set
P2 Pin (3-4)	Boot mode	not set

Table 17: Jumpers

3.4.1 Current measurement

When the module is powered through the P1 connector, the radio module is supplied via a 3 V low drop out voltage regulator. By default, a jumper is set on Pin (5-6) of pin header P2. For current measurement the jumper can be removed and a current meter can be connected instead to the pin header P2 Pin (5-6). In this default configuration the power LED is on the VDD line of the module showing when the module is powered. The current to the power LED is included in the measured current.

For accurate current measurement the solder bridge SJ1 can be disconnected using a cutter. By cutting the solder bridge SJ1, power to the LED is disconnected.



By default, the current consumption of the power LED is included in the current measured between P2 Pins (5 - 6). To avoid this, SJ1 can be disconnected.

P2	Function
5	3V LDO Output
6	V_IN

Table 18: Pin header P2



Current measurement using P2 Pin (5-6) jumper is possible only if the module is powered through connector P1.

3.4.2 Setebos-I functions

By default, P1 Pin (9-10) jumper is not set. Thus, the Setebos-I module’s internal pull down resistor sets the module to work as Proteus-III. If a jumper is set on P2 Pin (9-10), the Setebos-I works as Thyone-I radio module. Decisive is the level during boot up, which is the time shortly after reset or power up. After boot up, the modules stays in the selected mode until a reboot is triggered.

P1	Function
9	B1/ RPS (Radio Protocol Select)
10	V_IN

Table 19: Pin header P1

3.4.3 Boot mode

By default, P2 Pin (3-4) jumper is not set. If P2 Pin (3-4) jumper is set during power up, the module starts in boot loader mode to be ready for firmware update. For application start-up, the jumper shall be not set during power up.



- For Proteus-III (2611011024000) and Proteus-III-SPI (2611011024010), boot loader mode allows over the air (OTA) firmware update.
- For Thyone-I module (2611011021000), boot loader mode allows firmware update via UART.
- For Setebos-I module (2611011024020), the boot loader of the Proteus-III is used.

P2	nRF52840	Function
3	GND	GND
4	P0.02	BOOT

Table 20: Pin header P2

3.5 Reset button

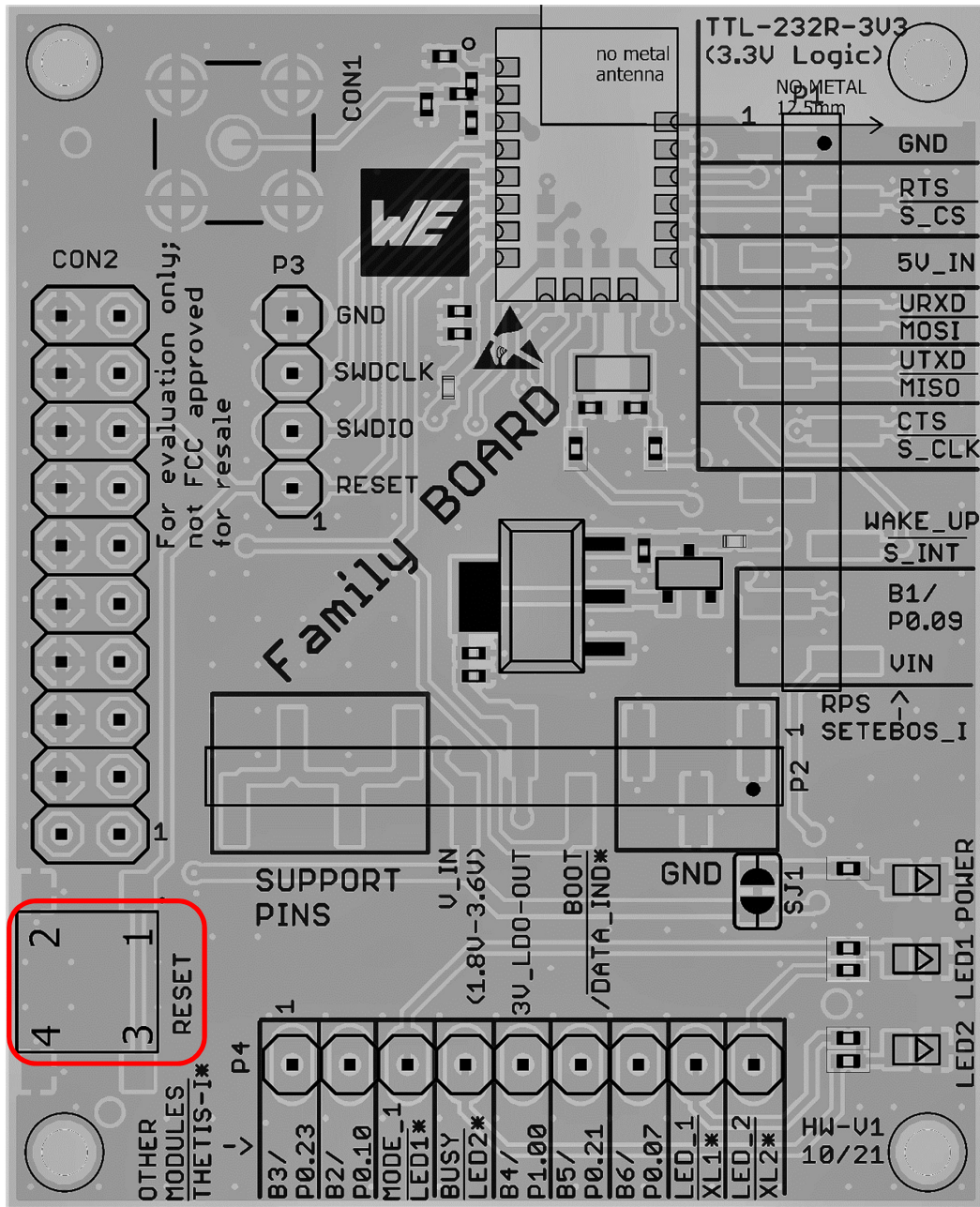


Figure 8: Buttons

On IC level, the active low reset input is configured with a pull up resistor. The module provides a */RESET* pin that is connected to this button, so that the module can be restarted properly. Please refer to the module specific manual for detailed information [8, 9, 11].

3.6 Function blocks

3.6.1 Power supply

The Family Board can be powered either by TTL-232R-3V3 cable or by an external power supply. The table 21 lists the connection for different power supply options.

No	Power supply	Supply @	Multimeter or jumper	SJ1	residual current
1	TTL-232R-3V3 cable	P1	P2 Pin 5-6	Connected	Uncorrected
				Disconnected	Corrected
2	External supply	P1 dedicated pins Pin 3: 5V, Pin 1: GND	P2 Pin 5-6	Connected	Uncorrected
				Disconnected	Corrected
3	External supply	P2 dedicated pins Pin 1, 2 or 3: GND Pin 7, 8, 9 or 10: 3.3V	P2 Pin 7-6	Connected	Uncorrected
				Disconnected	Corrected

Table 21: Power supply option



By default, the power LED is connected through a solder bridge. Current measurement with connected solder bridge (SJ1) results in additional current. Solder bridge shall be disconnected for accurate current measurement.

3.6.1.1 Pin header P1, power supply through TTL-232R-3V3

The Family Board can be powered by TTL-232R-3V3 cable through P1 connector. TTL-232R-3V3 cable powers the board with 5 V supply. The integrated voltage regulator regulates the connected 5 V down to 3 V and supplies the remaining parts of the circuit. For current measurement the device is connected to header P2, to Pin 5 (*3V_LDO_OUT*) to Pin 6 (*VDD_MOD / V_IN*).

If the solder bridge SJ1 is closed the *Power LED* lights up when the module is supplied, but the current through the LED is included in the current measurement through P2 Pin (5-6). If the solder bridge SJ1 is open the current measurement is corrected, no additional current beside the current to the module is measured, but the power LED is no longer indicating whether the module is supplied. Figure 9 is illustrating this.

3.6.1.2 Pin header P1, power supply through dedicated pins

The Family Board can be powered by an external power supply through connector P1 Pin 3 (*5V_IN / 5V0*) and Pin 1 (*GND*). With SJ1 closed the *Power LED* lights up when the module is powered. With SJ1 open the LED is not lighting but the current is measured corrected. Figure 9 is illustrating this.

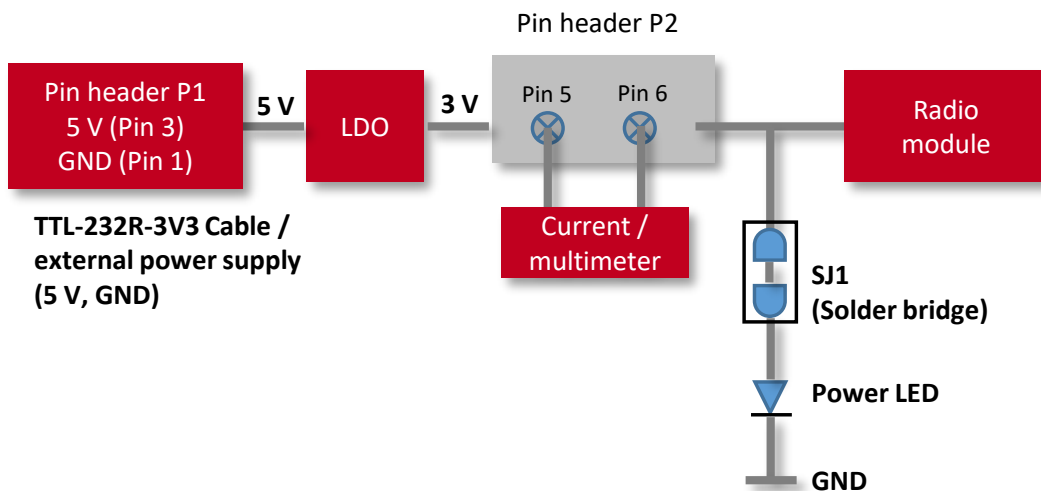


Figure 9: Power supply corresponding to table 21 No 1 and 2

3.6.1.3 Pin header P2, power supply through external source

The Family board can be powered by an external power supply through the pin header P2. GND is connected to Pin 1-3.

1.8V-3.6V is connected either directly to Pin-6 (*VDD_MOD / V_IN*) and the current is measured in series as illustrated in the upper picture of Figure 10.

Or it is connected to Pin 8-10 (*V_EXT / SUPPORT PINS*) and the current is measured on header P2 Pin 7 (*V_EXT / SUPPORT PINS*), which is internally connected with Pin 8, 9, 10 to Pin 6 (*VDD_MOD / V_IN*) as illustrated in the lower picture of Figure 10. With SJ1 open the LED is not lighting but the current is measured corrected.

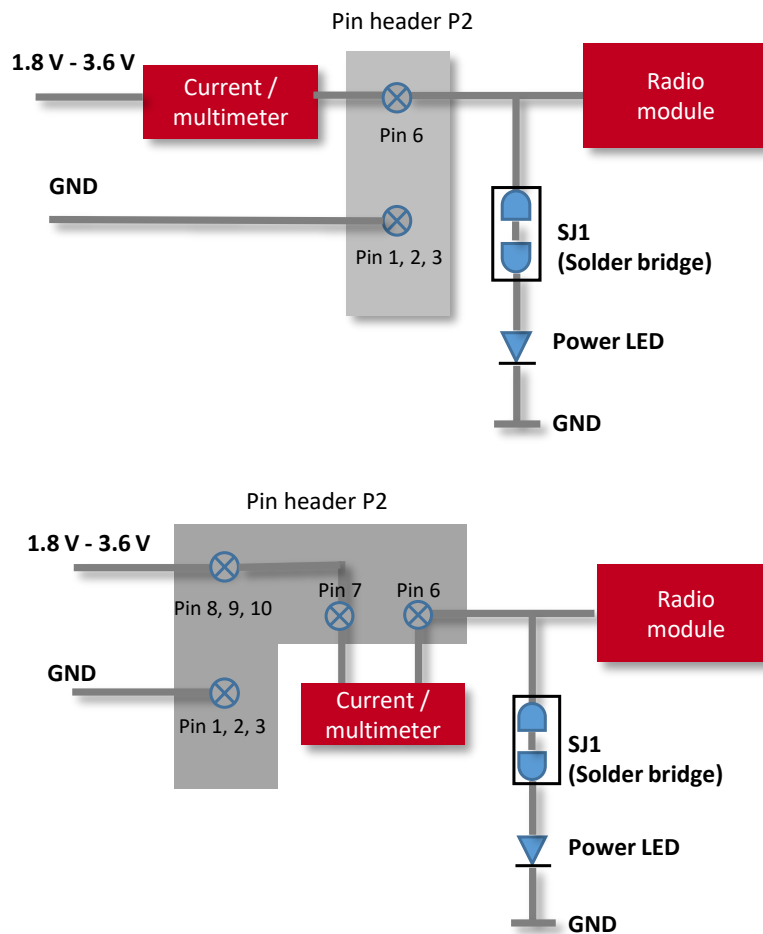


Figure 10: Power supply corresponding to table 21 No 3

3.6.2 UART / USB

The TTL-232R-3V3 cable is used for USB/UART connection between PC and Family Board. The IO level of the TTL-232R-3V3 cable is 3.3V. Using the FTDI-driver, the PC will show a virtual COM-Port, which can be used to communicate with the module.

3.6.3 UART direct

If a micro-controller is to be connected to the module, use the *P3* connector. The UART of the host can be directly connected to P1. Beware of IO level compatibility. The host must obey the values stated in the module's manual. Especially the IO level restrictions must be implemented by a host system (i.e. using a level shifter to use the allowed IO levels).

3.6.4 SPI direct

If a micro-controller is to be connected to the module, use the *P1* connector. The SPI of the host can be directly connected to these pins. Beware of IO level compatibility. The host must obey the values stated in the module's manual. Especially the IO level restrictions must be implemented by a host system (i.e. using a level shifter to use the allowed IO levels).

3.6.5 LFXO crystal

For higher LFCLK accuracy (better than ± 250 ppm), a low frequency crystal oscillator of 32.768kHz (LFXO) shall be used. A crystal, 3.2 × 1.6 mm package, for example *830009706*, can be placed on Family Board to position Q1. The needed load capacitance can be reached with capacitors C9 and C10, 0402 package.

nRF52840 / nRF52832 pin P0.00/XL1 and P0.01/XL2 are connected to module pad LED_1 and LED_2, respectively. If an LFXO is assembled to the EV board, the resistors R3 and R5 shall be assembled, therefore the LED1 and LED2 function is no longer available. Refer to the figure 11 for necessary modification.



By default, Q1, C9, C10 shall not be assembled and R3, R5 shall be assembled.



For standard firmware, the external crystal is not needed. To enable use of the LFXO, a custom firmware is required.

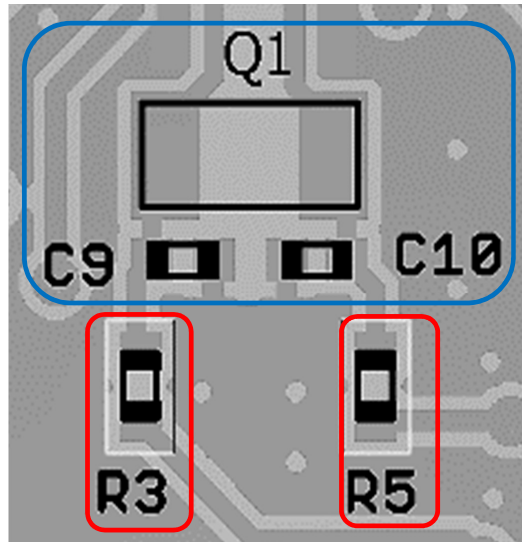


Figure 11: LFXO assembly



To use the LFXO function, Q1, C9, C10 shall be assembled and R3 ,R5 are not assembled.

The input capacitance of the pad LED_1 and LED_2 are 4 pF. The values of C9 and C10 can be calculated as follows. The load capacitance of LFXO is given by

$$C_l = \frac{C_{9l} * C_{10l}}{C_{9l} + C_{10l}} \quad (1)$$

If $C_{9l} = C_{10l} = C$, then

$$C_l = \frac{C}{2} \quad (2)$$

whereas,

$$C_9 = C - C_{XL1} - C_{PCB} \quad (3)$$

$$C_{10} = C - C_{XL2} - C_{PCB} \quad (4)$$

C_l = Load capacitance of LFXO crystal.

C_{XL1} = Input capacitance of Pad LED_1 (4 pF)

C_{XL2} = Input capacitance of Pad LED_2 (4 pF)

C_{PCB} = Parasitic capacitance of PCB

Parasitic capacitance of the PCB can vary depending on design and track length. It can vary from 0.5 pF to 2 pF.

For the crystal 830009706 with load capacitance of 9 pF and parasitic capacitance of 2 pF. The value of C9 and C10 results in 12 pF which was also tested on Family Board.

Depending on parasitic capacitance of PCB, a capacitance of 12 pF may be a good starting value for C9 and C10.

3.6.6 Programming interface

The Family Board provides solder pads for 2×10 pin connector. It can be used to connect directly to a JTAG flash adapter used for development. Please take care of the correct orientation of the flash adapter. The recommended flash adapter is one of the "Segger J-Link" family.

3.6.7 LEDs

3.6.7.1 Proteus-I, Proteus-II, Proteus-III, Proteus-III-SPI, Thyone-I, Setebos-I

For Proteus-I, Proteus-II, Proteus-III, Proteus-III-SPI, Thyone-I, Setebos-I radio modules, the resistors R6 and R7 are assembled and the resistors R1 and R2 are not assembled.

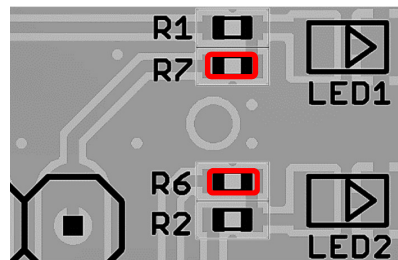


Figure 12: LED resistor R6, R7 assembly

3.7 Schematic - Proteus-III, Proteus-III-SPI, Thyone-I, Setebos-I

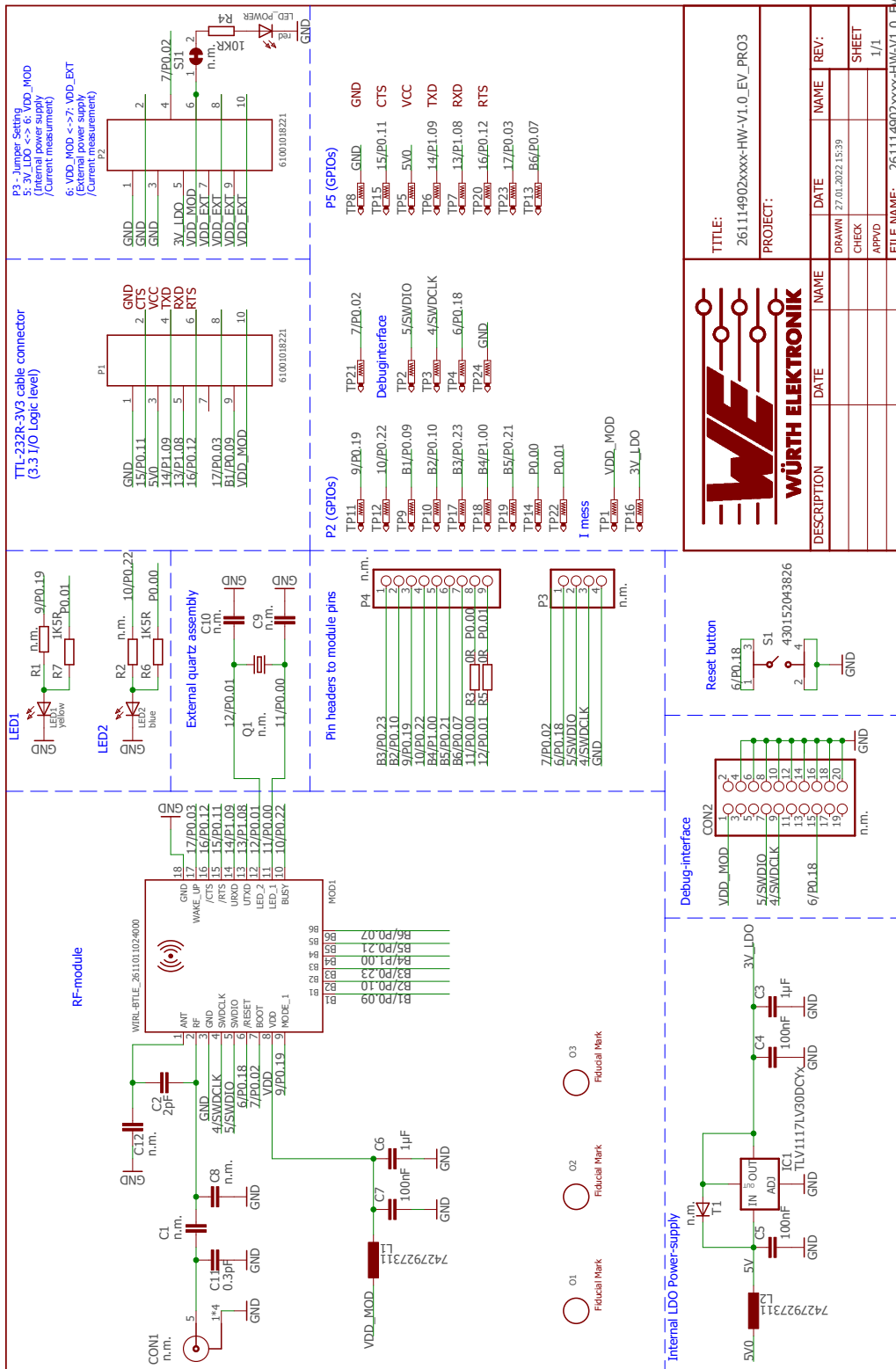


Figure 13: Schematic sheet

3.9 Layout

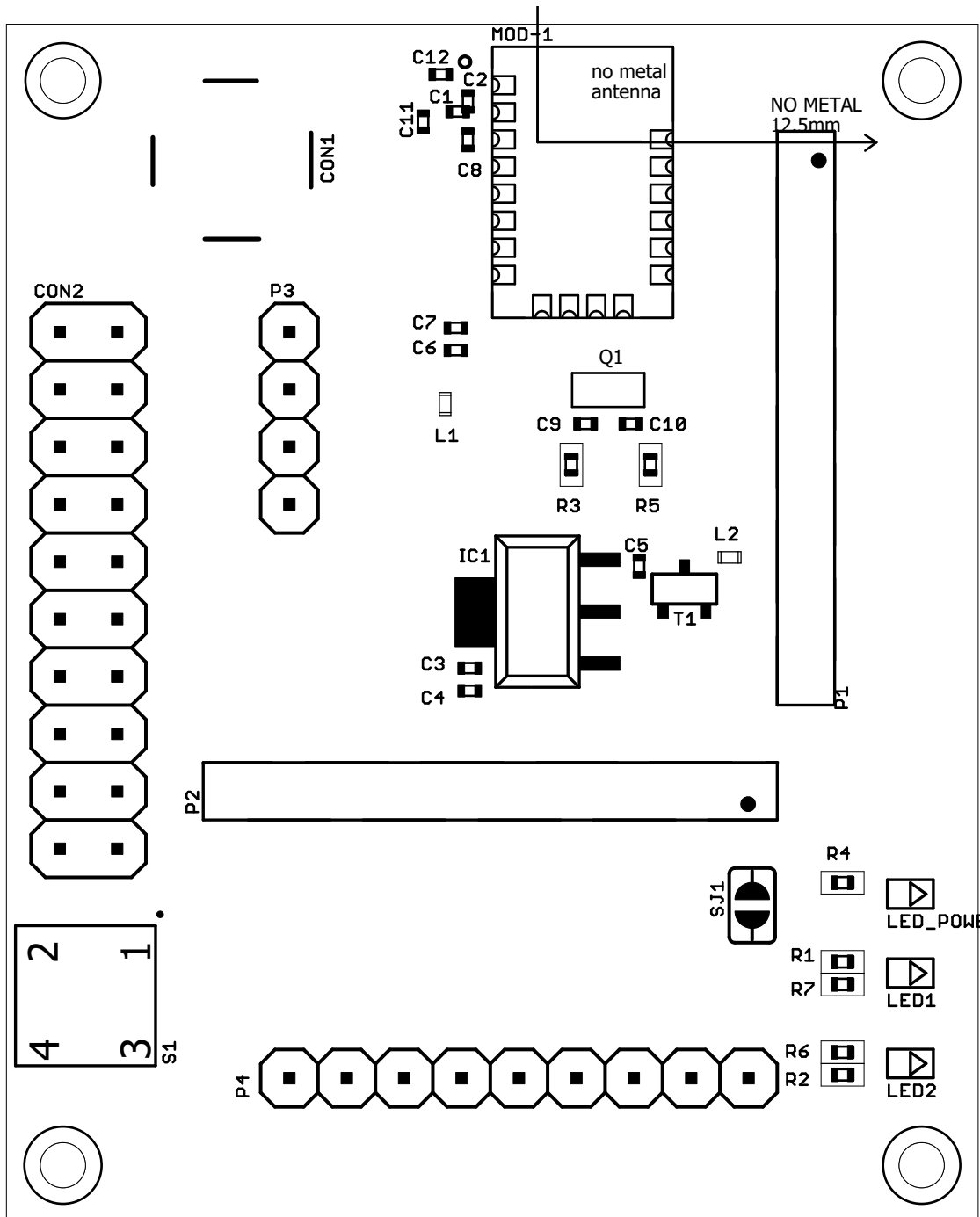


Figure 15: Assembly diagram

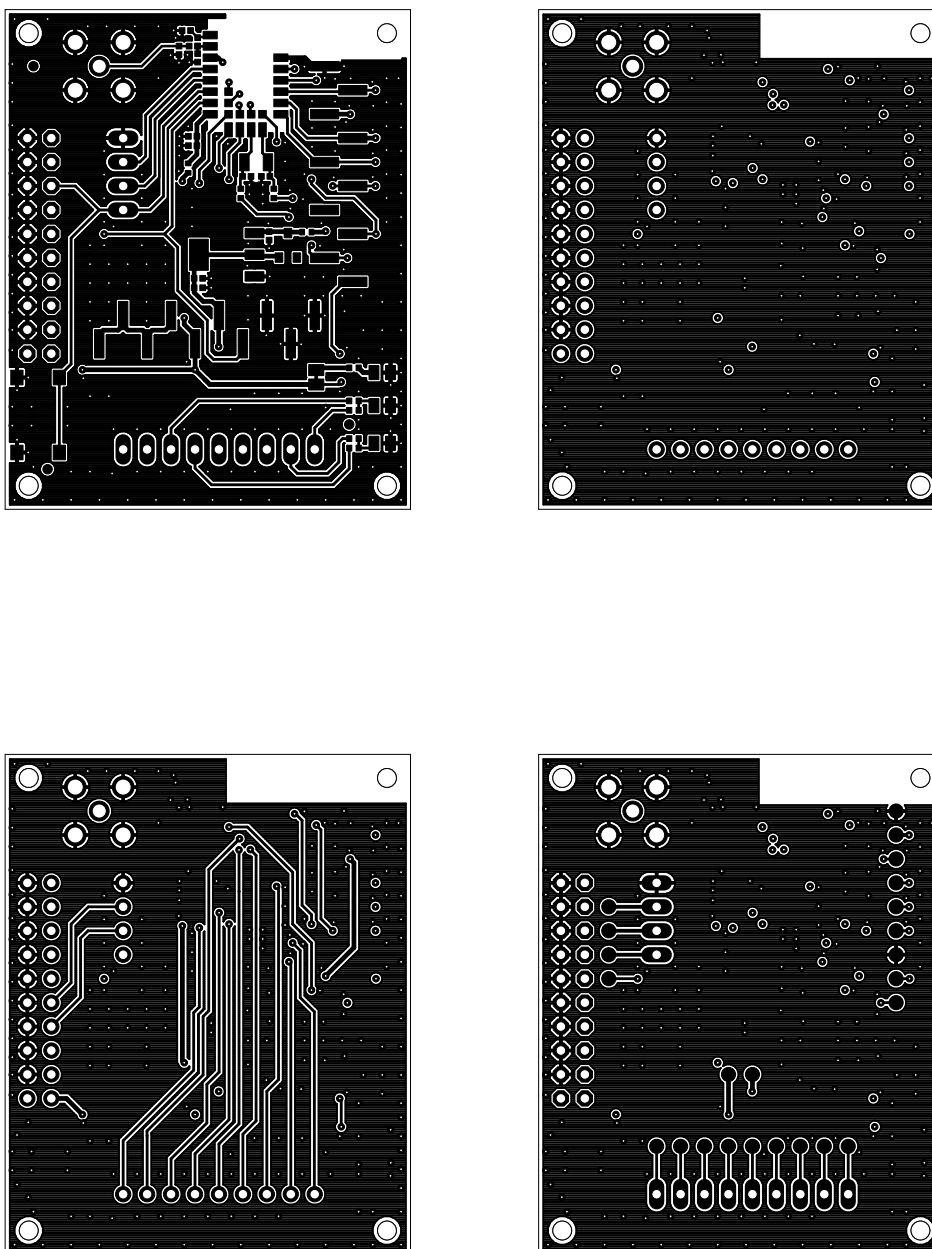


Figure 16: Top, bottom & internal layers

3.10 Bill of materials

Part	Value	HEIGHT	MANUFACTURER	NR
C1	n.m.			
C2	n.m.			
C3	1µF	0.5mm	Würth Elektronik	885012105012
C4	100nF	0.5mm	Würth Elektronik	885012205037
C5	100nF	0.5mm	Würth Elektronik	885012205037
C6	1µF	0.5mm	Würth Elektronik	885012105012
C7	100nF	0.5mm	Würth Elektronik	885012205037
C8	n.m.			
C9	n.m.			
C10	n.m.			
C11	n.m.			
C12	n.m.			
CON1	n.m.			
CON2	n.m.			
IC1	TLV1117LV30DCYx	1.8mm	TI	TLV1117LV30DCYR
L1	7427927311	0.5mm	Würth Elektronik	7427927311
L2	7427927311	0.5mm	Würth Elektronik	7427927311
LED1	yellow	0.75mm	Würth Elektronik	150080YS75000
LED2	blue	0.75mm	Würth Elektronik	150080BS75000
LED_POWER	red	0.75mm	Würth Elektronik	150080RS75000
MOD-1	Proteus-I	2mm	Würth Elektronik	2608011024000
	Proteus-II			2608011024010
	Proteus-III			2611011024000
	Proteus-III SPI			2611011024010
	Setebos-I			2611011024020
	Thyone-I			2611011021000
O1	n.m.			
O2	n.m.			
O3	n.m.			
P1	61001018221	8.5mm	Würth Elektronik	61001018221
P2	61001018221	8.5mm	Würth Elektronik	61001018221
P3	n.m.			
P4	n.m.			
Q1	n.m.			
R1	n.m.			
R2	n.m.			
R3	OR			
R4	10KR			
R5	OR			
R6	1K5R			
R7	1K5R			
S1	430152043826	4.3mm	Würth Elektronik	430152043826
SJ1	n.m.			
T1	n.m.			

4 Regulatory compliance information

4.1 European Conformity

Pursuant to Article 1 (2.) of the EU directive 2014/53/EU, Article 1 (2.) the directive does not apply to equipment listed in Annex I (4.): custom-built evaluation kits designed for professionals to be used solely at research and development facilities for such purposes.

4.2 FCC

Pursuant to §2.803 (c) of Title 47 Chapter I Subchapter A Part 2 Subpart I, the evaluation kit falls under the FCC exception. Therefore it is marked as "For evaluation only; not FCC approved for resale".

4.3 Exemption clause

Relevant regulation requirements are subject to change. Würth Elektronik eiSos does not guarantee the accuracy of the before mentioned information. Directives, technical standards, procedural descriptions and the like may be interpreted differently by the national authorities. Equally, the national laws and restrictions may vary with the country. In case of doubt or uncertainty, we recommend that you consult with the authorities or official certification organizations of the relevant countries. Würth Elektronik eiSos is exempt from any responsibilities or liabilities related to regulatory compliance.

Notwithstanding the above, Würth Elektronik eiSos makes no representations and warranties of any kind related to their accuracy, correctness, completeness and/or usability for customer applications. No responsibility is assumed for inaccuracies or incompleteness.

5 References

- [1] TTL-232R-3V3 FTDI cable. https://www.ftdichip.com/Support/Documents/DataSheets/Cables/DS_TTL-232R_CABLES.pdf.
- [2] FTDI virtual COM port driver. <https://ftdichip.com/drivers/vcp-drivers/>.
- [3] FTDI driver installation guidelines. <https://www.ftdichip.com/Support/Documents/InstallGuides.htm>.
- [4] hterm. Terminal programm. <https://www.der-hammer.info/pages/terminal.html>.
- [5] Würth Elektronik. Proteus-I user manual. <https://www.we-online.de/katalog/de/manual/2608011024000>.
- [6] Würth Elektronik. Proteus-II user manual. <https://www.we-online.de/katalog/de/manual/2608011024010>.
- [7] Würth Elektronik. Proteus-III-SPI user manual. <https://www.we-online.de/katalog/de/manual/2611011024010>.
- [8] Würth Elektronik. Proteus-III user manual. <https://www.we-online.de/katalog/de/manual/2611011024000>.
- [9] Würth Elektronik. Setebos-I user manual. <https://www.we-online.de/katalog/de/manual/2611011024020>.
- [10] Würth Elektronik. Smart Commander PC tool. <https://www.we-online.com/SmartCommander>.
- [11] Würth Elektronik. Thyone-I user manual. <https://www.we-online.de/katalog/de/manual/2611011021000>.

6 Important notes

The following conditions apply to all goods within the wireless connectivity product range of Würth Elektronik eiSos GmbH & Co. KG:

6.1 General customer responsibility

Some goods within the product range of Würth Elektronik eiSos GmbH & Co. KG contain statements regarding general suitability for certain application areas. These statements about suitability are based on our knowledge and experience of typical requirements concerning the areas, serve as general guidance and cannot be estimated as binding statements about the suitability for a customer application. The responsibility for the applicability and use in a particular customer design is always solely within the authority of the customer. Due to this fact, it is up to the customer to evaluate, where appropriate to investigate and to decide whether the device with the specific product characteristics described in the product specification is valid and suitable for the respective customer application or not. Accordingly, the customer is cautioned to verify that the documentation is current before placing orders.

6.2 Customer responsibility related to specific, in particular safety-relevant applications

It has to be clearly pointed out that the possibility of a malfunction of electronic components or failure before the end of the usual lifetime cannot be completely eliminated in the current state of the art, even if the products are operated within the range of the specifications. The same statement is valid for all software sourcecode and firmware parts contained in or used with or for products in the wireless connectivity and sensor product range of Würth Elektronik eiSos GmbH & Co. KG. In certain customer applications requiring a high level of safety and especially in customer applications in which the malfunction or failure of an electronic component could endanger human life or health, it must be ensured by most advanced technological aid of suitable design of the customer application that no injury or damage is caused to third parties in the event of malfunction or failure of an electronic component.

6.3 Best care and attention

Any product-specific data sheets, manuals, application notes, PCN's, warnings and cautions must be strictly observed in the most recent versions and matching to the products firmware revisions. This documents can be downloaded from the product specific sections on the wireless connectivity homepage.

6.4 Customer support for product specifications

Some products within the product range may contain substances, which are subject to restrictions in certain jurisdictions in order to serve specific technical requirements. Necessary information is available on request. In this case, the field sales engineer or the internal sales person in charge should be contacted who will be happy to support in this matter.

6.5 Product improvements

Due to constant product improvement, product specifications may change from time to time. As a standard reporting procedure of the Product Change Notification (PCN) according to the JEDEC-Standard, we inform about major changes. In case of further queries regarding the PCN, the field sales engineer, the internal sales person or the technical support team in charge should be contacted. The basic responsibility of the customer as per section 6.1 and 6.2 remains unaffected. All wireless connectivity module driver software "wireless connectivity SDK" and its source codes as well as all PC software tools are not subject to the Product Change Notification information process.

6.6 Product life cycle

Due to technical progress and economical evaluation we also reserve the right to discontinue production and delivery of products. As a standard reporting procedure of the Product Termination Notification (PTN) according to the JEDEC-Standard we will inform at an early stage about inevitable product discontinuance. According to this, we cannot ensure that all products within our product range will always be available. Therefore, it needs to be verified with the field sales engineer or the internal sales person in charge about the current product availability expectancy before or when the product for application design-in disposal is considered. The approach named above does not apply in the case of individual agreements deviating from the foregoing for customer-specific products.

6.7 Property rights

All the rights for contractual products produced by Würth Elektronik eiSos GmbH & Co. KG on the basis of ideas, development contracts as well as models or templates that are subject to copyright, patent or commercial protection supplied to the customer will remain with Würth Elektronik eiSos GmbH & Co. KG. Würth Elektronik eiSos GmbH & Co. KG does not warrant or represent that any license, either expressed or implied, is granted under any patent right, copyright, mask work right, or other intellectual property right relating to any combination, application, or process in which Würth Elektronik eiSos GmbH & Co. KG components or services are used.

6.8 General terms and conditions

Unless otherwise agreed in individual contracts, all orders are subject to the current version of the "General Terms and Conditions of Würth Elektronik eiSos Group", last version available at www.we-online.com.

7 Legal notice

7.1 Exclusion of liability

Würth Elektronik eiSos GmbH & Co. KG considers the information in this document to be correct at the time of publication. However, Würth Elektronik eiSos GmbH & Co. KG reserves the right to modify the information such as technical specifications or functions of its products or discontinue the production of these products or the support of one of these products without any written announcement or notification to customers. The customer must make sure that the information used corresponds to the latest published information. Würth Elektronik eiSos GmbH & Co. KG does not assume any liability for the use of its products. Würth Elektronik eiSos GmbH & Co. KG does not grant licenses for its patent rights or for any other of its intellectual property rights or third-party rights.

Notwithstanding anything above, Würth Elektronik eiSos GmbH & Co. KG makes no representations and/or warranties of any kind for the provided information related to their accuracy, correctness, completeness, usage of the products and/or usability for customer applications. Information published by Würth Elektronik eiSos GmbH & Co. KG regarding third-party products or services does not constitute a license to use such products or services or a warranty or endorsement thereof.

7.2 Suitability in customer applications

The customer bears the responsibility for compliance of systems or units, in which Würth Elektronik eiSos GmbH & Co. KG products are integrated, with applicable legal regulations. Customer acknowledges and agrees that it is solely responsible for compliance with all legal, regulatory and safety-related requirements concerning its products, and any use of Würth Elektronik eiSos GmbH & Co. KG components in its applications, notwithstanding any applications-related information or support that may be provided by Würth Elektronik eiSos GmbH & Co. KG. Customer represents and agrees that it has all the necessary expertise to create and implement safeguards which anticipate dangerous consequences of failures, monitor failures and their consequences lessen the likelihood of failures that might cause harm and take appropriate remedial actions. The customer will fully indemnify Würth Elektronik eiSos GmbH & Co. KG and its representatives against any damages arising out of the use of any Würth Elektronik eiSos GmbH & Co. KG components in safety-critical applications.

7.3 Trademarks

AMBER wireless is a registered trademark of Würth Elektronik eiSos GmbH & Co. KG. All other trademarks, registered trademarks, and product names are the exclusive property of the respective owners.

7.4 Usage restriction

Würth Elektronik eiSos GmbH & Co. KG products have been designed and developed for usage in general electronic equipment only. This product is not authorized for use in equipment

where a higher safety standard and reliability standard is especially required or where a failure of the product is reasonably expected to cause severe personal injury or death, unless the parties have executed an agreement specifically governing such use. Moreover, Würth Elektronik eiSos GmbH & Co. KG products are neither designed nor intended for use in areas such as military, aerospace, aviation, nuclear control, submarine, transportation (automotive control, train control, ship control), transportation signal, disaster prevention, medical, public information network etc. Würth Elektronik eiSos GmbH & Co. KG must be informed about the intent of such usage before the design-in stage. In addition, sufficient reliability evaluation checks for safety must be performed on every electronic component, which is used in electrical circuits that require high safety and reliability function or performance. By using Würth Elektronik eiSos GmbH & Co. KG products, the customer agrees to these terms and conditions.

8 License terms

This License Terms will take effect upon the purchase and usage of the Würth Elektronik eiSos GmbH & Co. KG wireless connectivity products. You hereby agree that this license terms is applicable to the product and the incorporated software, firmware and source codes (collectively, "Software") made available by Würth Elektronik eiSos in any form, including but not limited to binary, executable or source code form.

The software included in any Würth Elektronik eiSos wireless connectivity product is purchased to you on the condition that you accept the terms and conditions of this license terms. You agree to comply with all provisions under this license terms.

8.1 Limited license

Würth Elektronik eiSos hereby grants you a limited, non-exclusive, non-transferable and royalty-free license to use the software and under the conditions that will be set forth in this license terms. You are free to use the provided Software only in connection with one of the products from Würth Elektronik eiSos to the extent described in this license terms. You are entitled to change or alter the source code for the sole purpose of creating an application embedding the Würth Elektronik eiSos wireless connectivity product. The transfer of the source code to third parties is allowed to the sole extent that the source code is used by such third parties in connection with our product or another hardware provided by Würth Elektronik eiSos under strict adherence of this license terms. Würth Elektronik eiSos will not assume any liability for the usage of the incorporated software and the source code. You are not entitled to transfer the source code in any form to third parties without prior written consent of Würth Elektronik eiSos.

You are not allowed to reproduce, translate, reverse engineer, decompile, disassemble or create derivative works of the incorporated Software and the source code in whole or in part. No more extensive rights to use and exploit the products are granted to you.

8.2 Usage and obligations

The responsibility for the applicability and use of the Würth Elektronik eiSos wireless connectivity product with the incorporated Firmware in a particular customer design is always solely within the authority of the customer. Due to this fact, it is up to you to evaluate and investigate, where appropriate, and to decide whether the device with the specific product characteristics described in the product specification is valid and suitable for your respective application or not.

You are responsible for using the Würth Elektronik eiSos wireless connectivity product with the incorporated Firmware in compliance with all applicable product liability and product safety laws. You acknowledge to minimize the risk of loss and harm to individuals and bear the risk for failure leading to personal injury or death due to your usage of the product.

Würth Elektronik eiSos' products with the incorporated Firmware are not authorized for use in safety-critical applications, or where a failure of the product is reasonably expected to cause severe personal injury or death. Moreover, Würth Elektronik eiSos' products with the incorporated Firmware are neither designed nor intended for use in areas such as military, aerospace, aviation, nuclear control, submarine, transportation (automotive control, train control, ship control), transportation signal, disaster prevention, medical, public information network etc. You

shall inform Würth Elektronik eiSos about the intent of such usage before design-in stage. In certain customer applications requiring a very high level of safety and in which the malfunction or failure of an electronic component could endanger human life or health, you must ensure to have all necessary expertise in the safety and regulatory ramifications of your applications. You acknowledge and agree that you are solely responsible for all legal, regulatory and safety-related requirements concerning your products and any use of Würth Elektronik eiSos' products with the incorporated Firmware in such safety-critical applications, notwithstanding any applications-related information or support that may be provided by Würth Elektronik eiSos. YOU SHALL INDEMNIFY WÜRTH ELEKTRONIK EISOS AGAINST ANY DAMAGES ARISING OUT OF THE USE OF WÜRTH ELEKTRONIK EISOS' PRODUCTS WITH THE INCORPORATED FIRMWARE IN SUCH SAFETY-CRITICAL APPLICATIONS.

8.3 Ownership

The incorporated Firmware created by Würth Elektronik eiSos is and will remain the exclusive property of Würth Elektronik eiSos.

8.4 Firmware update(s)

You have the opportunity to request the current and actual Firmware for a bought wireless connectivity Product within the time of warranty. However, Würth Elektronik eiSos has no obligation to update a modules firmware in their production facilities, but can offer this as a service on request. The upload of firmware updates falls within your responsibility, e.g. via ACC or another software for firmware updates. Firmware updates will not be communicated automatically. It is within your responsibility to check the current version of a firmware in the latest version of the product manual on our website. The revision table in the product manual provides all necessary information about firmware updates. There is no right to be provided with binary files, so called "Firmware images", those could be flashed through JTAG, SWD, Spi-Bi-Wire, SPI or similar interfaces.

8.5 Disclaimer of warranty

THE FIRMWARE IS PROVIDED "AS IS". YOU ACKNOWLEDGE THAT WÜRTH ELEKTRONIK EISOS MAKES NO REPRESENTATIONS AND WARRANTIES OF ANY KIND RELATED TO, BUT NOT LIMITED TO THE NON-INFRINGEMENT OF THIRD PARTIES' INTELLECTUAL PROPERTY RIGHTS OR THE MERCHANTABILITY OR FITNESS FOR YOUR INTENDED PURPOSE OR USAGE. WÜRTH ELEKTRONIK EISOS DOES NOT WARRANT OR REPRESENT THAT ANY LICENSE, EITHER EXPRESS OR IMPLIED, IS GRANTED UNDER ANY PATENT RIGHT, COPYRIGHT, MASK WORK RIGHT, OR OTHER INTELLECTUAL PROPERTY RIGHT RELATING TO ANY COMBINATION, MACHINE, OR PROCESS IN WHICH THE WÜRTH ELEKTRONIK EISOS' PRODUCT WITH THE INCORPORATED FIRMWARE IS USED. INFORMATION PUBLISHED BY WÜRTH ELEKTRONIK EISOS REGARDING THIRD-PARTY PRODUCTS OR SERVICES DOES NOT CONSTITUTE A LICENSE FROM WÜRTH ELEKTRONIK EISOS TO USE SUCH PRODUCTS OR SERVICES OR A WARRANTY OR ENDORSEMENT THEREOF.

8.6 Limitation of liability

Any liability not expressly provided by Würth Elektronik eiSos shall be disclaimed. You agree to hold us harmless from any third-party claims related to your usage of the Würth Elektronik eiSos' products with the incorporated Firmware, software and source code. Würth Elektronik eiSos disclaims any liability for any alteration, development created by you or your customers as well as for any combination with other products.

8.7 Applicable law and jurisdiction

Applicable law to this license terms shall be the laws of the Federal Republic of Germany. Any dispute, claim or controversy arising out of or relating to this license terms shall be resolved and finally settled by the court competent for the location of Würth Elektronik eiSos' registered office.

8.8 Severability clause

If a provision of this license terms is or becomes invalid, unenforceable or null and void, this shall not affect the remaining provisions of the terms. The parties shall replace any such provisions with new valid provisions that most closely approximate the purpose of the terms.

8.9 Miscellaneous

Würth Elektronik eiSos reserves the right at any time to change this terms at its own discretion. It is your responsibility to check at Würth Elektronik eiSos homepage for any updates. Your continued usage of the products will be deemed as the acceptance of the change.

We recommend you to be updated about the status of new firmware and software, which is available on our website or in our data sheet and manual, and to implement new software in your device where appropriate.

By ordering a wireless connectivity product, you accept this license terms in all terms.

List of Figures

1	Product image	5
2	Block diagram	9
3	Additional assembly	10
4	Connectors	12
5	Capacitor connection to external antenna	19
6	Capacitor connection to internal antenna	19
7	Jumpers	20
8	Buttons	23
9	Power supply corresponding to table 21 No 1 and 2	25
10	Power supply corresponding to table 21 No 3	26
11	LFXO assembly	28
12	LED resistor R6, R7 assembly	29
13	Schematic sheet	30
14	Schematic sheet	31
15	Assembly diagram	32
16	Top, bottom & internal layers	33

List of Tables

1	Order codes	5
2	Content Family Board Proteus-I	6
3	Content Family Board Proteus-II	6
4	Content Family Board Proteus-III	6
5	Content Family Board Proteus-III-SPI	6
6	Content Family Board Setebos-I	6
7	Content Family Board Thyone-I	6
8	Additional assembly components	11
9	Pin header P1	13
10	Pin header P1	14
11	Pin header P2	15
12	Pin header P3	15
13	Pin header P4	16
14	Pin header P4	17
15	JTAG debugging interface	17
16	Pin header SMA	18
17	Jumpers	20
18	Pin header P2	21
19	Pin header P1	21
20	Pin header P2	22
21	Power supply option	24



Contact

Würth Elektronik eiSos GmbH & Co. KG
Division Wireless Connectivity & Sensors

Max-Eyth-Straße 1
74638 Waldenburg
Germany

Tel.: +49 651 99355-0
Fax.: +49 651 99355-69
www.we-online.com/wireless-connectivity

WÜRTH ELEKTRONIK MORE THAN YOU EXPECT