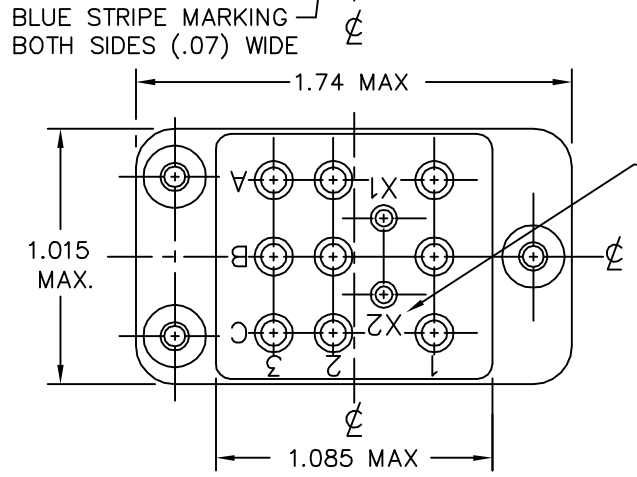
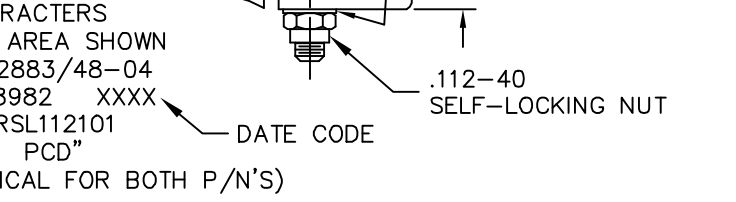
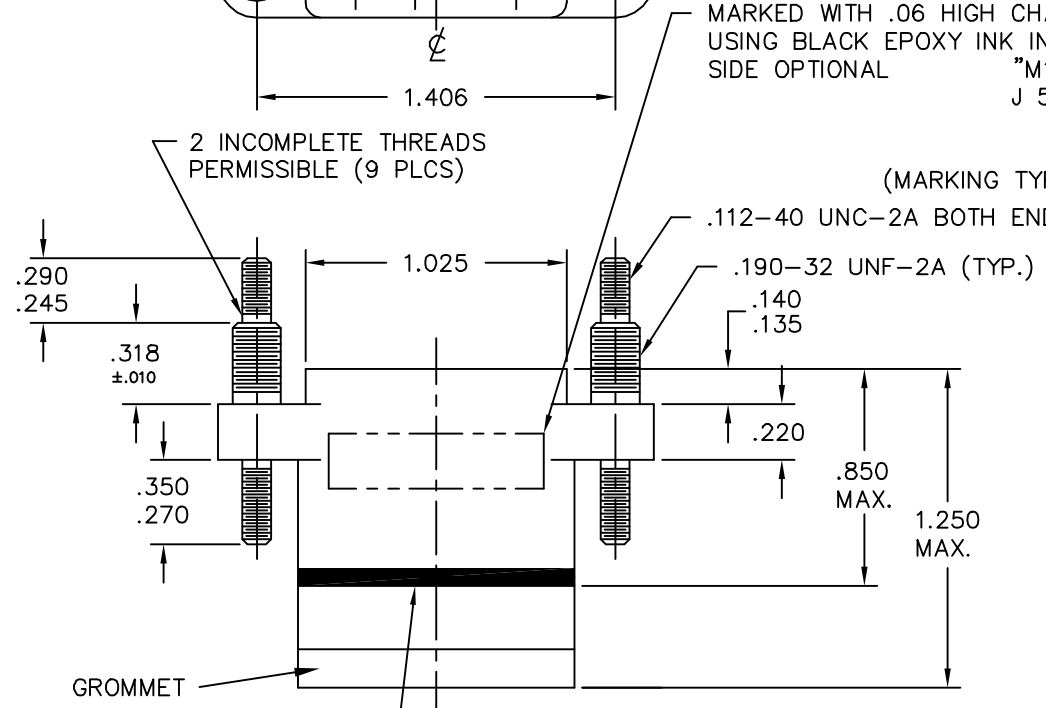
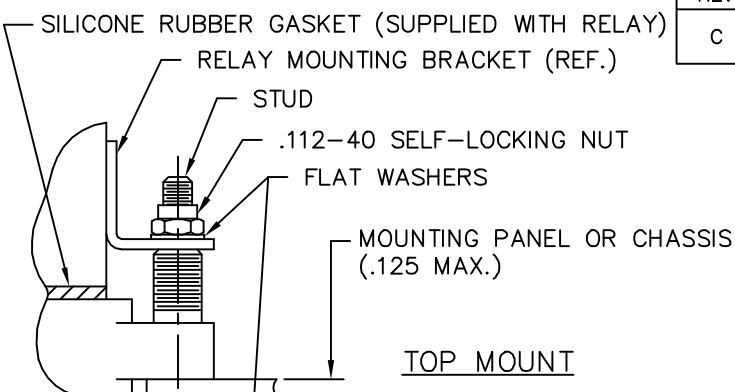
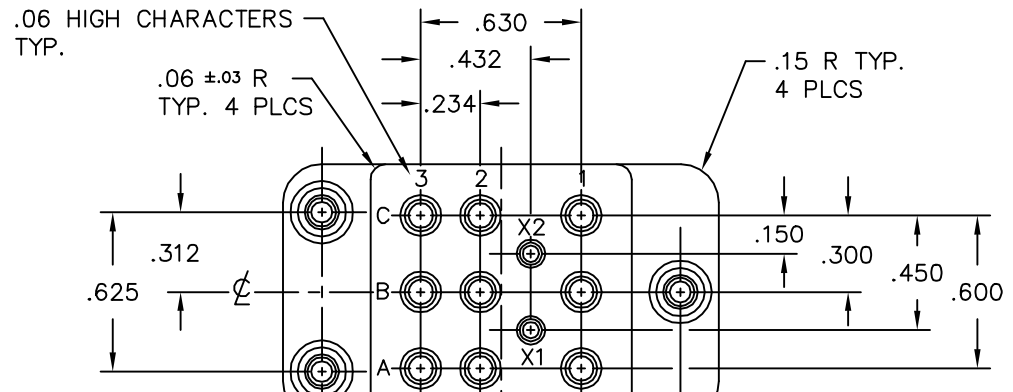


RSL112100

REV	ECN	DESCRIPTION	APP'D
C	2949	UPDATE FORMAT; ADD SILKSCREEN CALLOUT	



- NOTES:
- HOUSING SHALL BE THERMOPLASTIC MOLDING MATERIAL COLOR: BLUE-GREEN.
  - SEALING GROMMET MATERIAL SHALL BE SILICONE RUBBER PER ZZ-R-765, COLOR: RED.
  - SOCKET CONTACT SHALL BE COPPER ALLOY GOLD PLATED PER MIL-G-45204, TYPE II, GRADE C, CLASS 1.
  - STUD MATERIAL CRES, PASSIVATED; MOUNTING HARDWARE STEEL, CADMIUM PLATED.
  - SOCKET CONTACTS ARE OF CLOSED ENTRY TYPE AND DESIGNED TO COMPLY WITH TEST REQUIREMENTS OF MIL-C-39029 INCLUDING CRIMP TERMINATION.
  - M22520/1-01 CRIMP TOOL AND M22520/1-02 POSITIONER SHALL BE USED TO TERMINATE SOCKET CONTACTS TO THEIR RESPECTIVE WIRE SIZES.
  - M81969/14-03 AND -04 TOOL SHALL BE USED FOR INSERTING AND REMOVING WIRED SOCKET CONTACTS.
  - ALL HARDWARE SUPPLIED UNASSEMBLED IN SEPERATE CONTAINER WITHIN SOCKET PACKAGE.
  - CONTACTS SUPPLIED UNASSEMBLED IN SEPERATE CONTAINER WITHIN SOCKET PACKAGE, SEE TABLE.
  - WEIGHT: .132 LBS. (60g) MAX., INCLUDING HARDWARE AND CONTACTS.
  - INSTALLATION TORQUE REQUIREMENTS:  
THREAD SIZE .112-40 = 4 ±1 IN.-LBS.  
THREAD SIZE .190-32 = 18 ±1 IN.-LBS.
  - THE SEALING GROMMET IS DESIGNED TO SEAL OVER THE FOLLOWING WIRE DIA.'S: SIZE 16 .065 MIN. TO .109 MAX; SIZE 12 .097 MIN TO .142 MAX.

RSL112101	9 SIZE 12/12 SOCKET CONTACT 2 SIZE 16/16 SOCKET CONTACT	CNS511800 CNS511600
RSL112100	NONE	NONE
PCD P/N	CONTACTS SUPPLIED	CONTACT P/N

DIMENSIONS	TOLERANCES	PROJECTION	REFERENCE SPECIFICATION
ANSI Y14.5M UNITS: INCHES ACAD FILE	.XX ±.01 .XXX ±.005 ANGLES ±2°		M12883/48-04 ENGR M. CALLA 8/30/88 CHKD J. CARDONE 8/31/88 APPD WM KUBIN
ORIGINAL NOT FOR CUSTOMER DISTRIBUTION	THIS DOCUMENT CONTAINS PROPRIETARY INFORMATION WHICH IS THE CONFIDENTIAL PROPERTY OF PCD, INC. PEABODY, MA, USA		

TITLE		
RELAY SOCKET 9 POS. SIZE 12/12 2 POS. SIZE 16/16		
SIZE B	DWG NO. RSL112100	REV C
CODE: 58982	SCALE: 1.5X	SHEET 1 OF 1

RSL112100

RSL112100