

Han ES 6B PE-CC Male

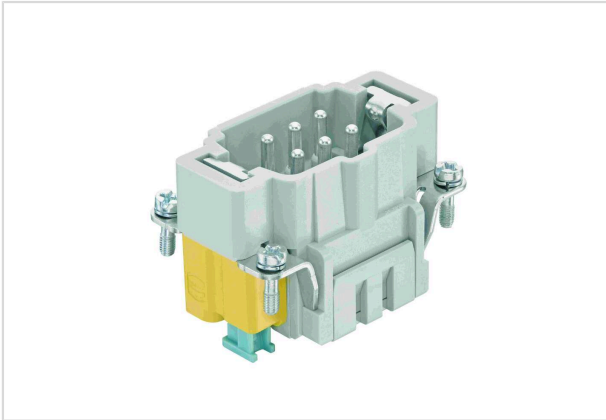


Image is for illustration purposes only. Please refer to product description.

Part number	09 33 006 2676
Specification	Han ES 6B PE-CC Male
HARTING eCatalogue	https://b2b.harting.com/09330062676

Identification

Category	Inserts
Series	Han [®] ES
Specification	Cage clamp termination for PE connection

Version

Termination method	Cage-clamp termination
Gender	Male
Size	6 B
Number of contacts	6
PE contact	Yes

Technical characteristics

Conductor cross-section	0.14 ... 2.5 mm ²
Conductor cross-section	AWG 26 ... AWG 14
Rated current	16 A
Rated voltage	500 V
Rated impulse voltage	6 kV
Pollution degree	3
Rated voltage acc. to UL	600 V
Rated voltage acc. to CSA	600 V
Insulation resistance	>10 ¹⁰ Ω
Contact resistance	≤3 mΩ
Stripping length	7 ... 9 mm



Pushing Performance
Since 1945

Technical characteristics

Limiting temperature -40 ... +125 °C

Mating cycles ≥500

Material properties

Material (insert) Polycarbonate (PC)

Colour (insert) RAL 7032 (pebble grey)

Material (contacts) Copper alloy

Surface (contacts) Silver plated

Material flammability class acc. to UL 94 V-0

Specifications and approvals

Specifications IEC 60664-1
IEC 61984

Approvals DNV GL

UL / CSA UL 1977 ECBT2.E235076
UL 2237 PVVA2.E318390
CSA-C22.2 No. 182.3 PVVA8.E318390

Commercial data

Packaging size 1

Net weight 51.1 g

Country of origin China

European customs tariff number 85366990

GTIN 5713140186057

eCl@ss 27440205 Contact insert for industrial connectors