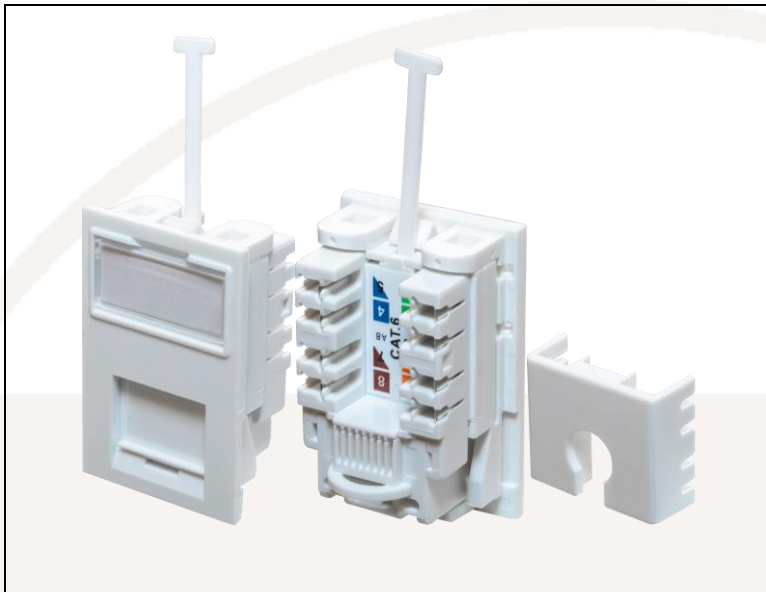


Low Profile Category 6 6C Outlet:



Low Profile Category 6 6C Outlet (SJ6whje, SJ6whje#24):

This affordable outlet which easily performs to Category 6 TIA/EIA-568-C.2-1 at permanent link, can be quickly and easily terminated and fits most standard 6C faceplates

Features:

- Performs to Category 6 at permanent link level with good headroom
- Low profile design, shuttered front aperture protects against dust
- Fitted with industry standard Krone (LSA+) type IDC connections
- Compatible with most '6C' style faceplates
- 'Slip-in' label facility for port identification
- Integral cable tie point. Cable retention clip also supplied along with additional flexible cable tie facility
- Available in individual polythene bags or in 'bulk packs' of 24 without individual poly bags

Specifications:

- Weight:
SJ6whje: 18g SJ6whje#24: 356g
- Dimensions (as packed):
SJ6whje: 40 x 60 x 20mm SJ6whje#24: 240 x 225 x 30mm
- Colour: White (RAL 9003)

- **Materials:**
IDC:
IDC cap: ABS, UL 94-HB IDC
Housing: PC + Glass fibre UL 94V-2 IDC
Terminal: Tin plated phosphor bronze

RJ45 Jack:
Housing: ABS UL 94-HB
Contact bracket: PC 1250Y, UL 94V-0

RJ45 Jack Contact
Material: Nickel plated phosphor bronze
Finish: 50µ"/1.27 µm gold plating on plug contact area

- T568A and T568B wiring sticker
- Insertion force: 20N max.
- Retention strength: 7.7kg between jack and plug
- Operating temperature: -10°C to 60°C
- Suitable for 22-26 AWG stranded and solid wire with Krone (LSA+) type punch down tool
- Suitable for use in 6c faceplates

Packaging:

SJ6jewh: individually bagged, then bagged in 20s then in 100s
SJ6jewh#24: in box of 24 pcs, then in outer carton of 24 boxes

Commodity code: 84733020

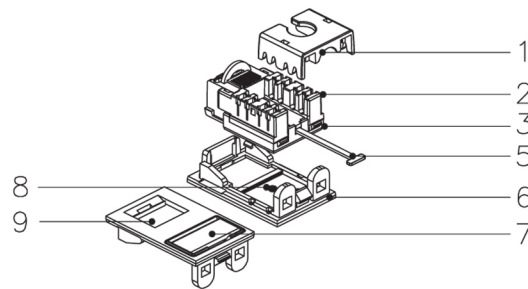
EAN: SJ6whje: 5055386510617

SJ6whje#24: 5055386510624

Country of Origin: China

ROHS Compliant

Code: SJ6whje



SCALE 1/2

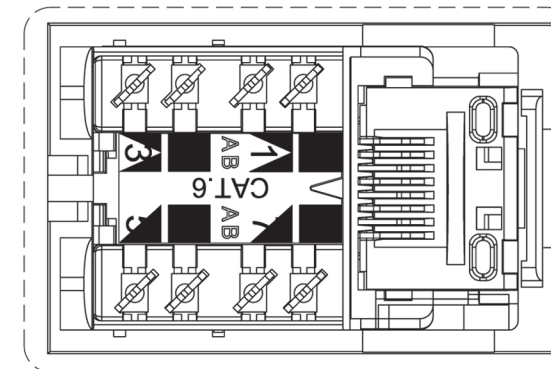
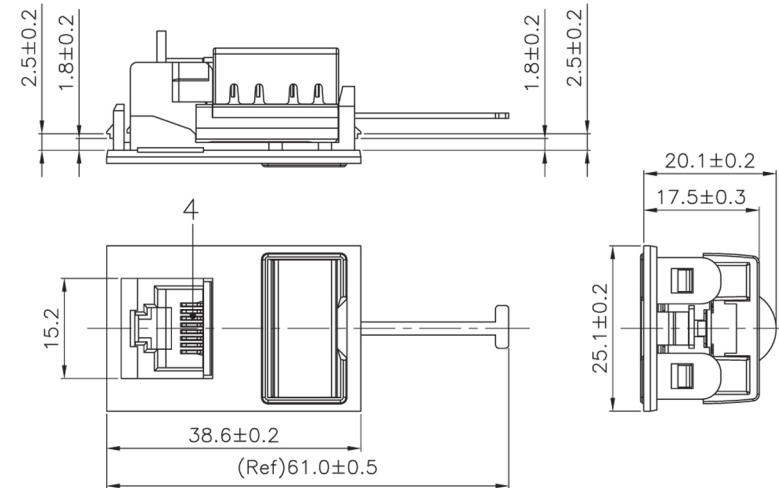
Specification :

Material :

1. IDC CAP : ABS, UL 94-HB.
2. IDC :
 - 2-1. Housing : PC+Glass Fiber, UL 94V-2.
 - 2-2. Terminal : Phosphor Bronze with Tin plated.
3. RJ45 Jack :
 - 3-1. Housing : ABS, UL 94-HB, with optional color.
 - 3-2. Contact Bracket : PC 1250Y, UL 94V-0, Transparence color.
4. RJ45 Jack Contact :
 - 4-1. Material : Phosphor Bronze with Nickel plated.
 - 4-2. Finish : 50 μ "/1.27 μ m gold plating on plug contact area
5. Cable holder : PP, UL 94V-2.
6. Modular Frame : ABS, UL 94-HB, with white color.
7. Identification :
 - 7-1. I.D. Plate : Polycarbonate, UL 94V-0, Transparence color.
 - 7-2. Paper.
8. Spring : SUS.
9. Dust Cover : ABS, UL 94-HB, with white color.
10. PCB : FR4, UL 94V-0.

Performance :

- a. T568A & T568B wiring sticker.
- b. Insertion force : 20N max. (IEC 60603-7-4)
- c. Retention strength : 7.7 kg between Jack and Plug.
- d. Operating temperature : -10°C to 60°C. (ISO/IEC 11801, ANSI/TIA 568 C.2)
- e. Life(mating cycles) :
 - *Jack : 750 cycles min. (ISO/IEC 11801, IEC 60603-7-4)
 - *IDC : Suitable for 22-26 AWG stranded and solid wire, with Krone punch down tool.
- f. The CAT.6 channel transmission performance is in compliance with TIA/EIA 568 C.2-1 standard.



SCALE 2/1