

213651-1 ✓ ACTIVE

AMP | AMP CPC

TE Internal #: 213651-1

Circular Power Connectors, Housing, 250 VDC, 14 – 24 AWG Wire Size, .2 – 2 mm<sup>2</sup> Wire Size, Wire-to-Panel, 14 Position, Wire & Cable, AMP CPC

[View on TE.com >](#)



Connectors > Power Connectors > Circular Power > Circular Power Connectors > CPC MIL-C-5015 Connector



Connector Product Type: **Housing**

Operating Voltage: **250 VDC**

Wire Size: **.2 – 2 mm<sup>2</sup>**

Connector System: **Wire-to-Panel**

[All CPC MIL-C-5015 Connector \(8\)](#)

## Features

### Product Type Features

Connector Product Type	Housing
Connector System	Wire-to-Panel
Sealable	No
Connector & Contact Terminates To	Wire & Cable
Connector & Housing Type	Receptacle
Circular Connector Shell Type	All Plastic

### Configuration Features

Reverse Numbering	Without
Number of Positions	14
Number of Power Positions	0
Number of Signal Positions	14

### Electrical Characteristics

Operating Voltage	250 VAC
-------------------	---------



### Contact Features

Reverse Gender	No
Contact Type	Pin
Contact Current Rating (Max)	13 A
Contact Protection	With

### Termination Features

Termination Method to Wire & Cable	Crimp
------------------------------------	-------

### Mechanical Attachment

Mating Alignment Type	Keyed
Mating Alignment	With
Panel Mount Feature Type	Flange with Mounting Holes
Mating Retention Type	Threaded Coupling
Screw & Hole Thread Size	1 1/4-18 UNEF-2A
Connector Mounting Type	Panel Mount
Mating Retention	With
Panel Mount Feature	With

### Housing Features

Body Orientation	Straight
Housing Color	Black
Housing Material	Polyamide
Circular Connector Shell Size	20

### Dimensions

Wire Size	.2 – 2 mm <sup>2</sup>
Assembly Length	39.62 mm[1.56 in]

### Usage Conditions

Operating Temperature Range	-55 – 105 °C[-67 – 221 °F]
Fluid Resistance	None

### Operation/Application

Circuit Application	Signal
Shielded	No

### Industry Standards

UL Flammability Rating	UL 94V-0
------------------------	----------

## Packaging Features

Packaging Quantity	1
Packaging Method	Package

## Product Compliance

[For compliance documentation, visit the product page on TE.com>](#)

EU RoHS Directive 2011/65/EU	Compliant
EU ELV Directive 2000/53/EC	Compliant
China RoHS 2 Directive MIIT Order No 32, 2016	No Restricted Materials Above Threshold
EU REACH Regulation (EC) No. 1907/2006	Current ECHA Candidate List: JAN 2023 (233) Candidate List Declared Against: JAN 2023 (233) Does not contain REACH SVHC
Halogen Content	BFR/CFR/PVC Free, but Br/Cl >900 ppm in other sources.
Solder Process Capability	Not applicable for solder process capability

### Product Compliance Disclaimer

This information is provided based on reasonable inquiry of our suppliers and represents our current actual knowledge based on the information they provided. This information is subject to change. The part numbers that TE has identified as EU RoHS compliant have a maximum concentration of 0.1% by weight in homogenous materials for lead, hexavalent chromium, mercury, PBB, PBDE, DBP, BBP, DEHP, DIBP, and 0.01% for cadmium, or qualify for an exemption to these limits as defined in the Annexes of Directive 2011/65/EU (RoHS2). Finished electrical and electronic equipment products will be CE marked as required by Directive 2011/65/EU. Components may not be CE marked. Additionally, the part numbers that TE has identified as EU ELV compliant have a maximum concentration of 0.1% by weight in homogenous materials for lead, hexavalent chromium, and mercury, and 0.01% for cadmium, or qualify for an exemption to these limits as defined in the Annexes of Directive 2000/53/EC (ELV). Regarding the REACH Regulation, the information TE provides on SVHC in articles for this part number is based on the latest European Chemicals Agency (ECHA) 'Guidance on requirements for substances in articles' posted at this URL: <https://echa.europa.eu/guidance-documents/guidance-on-reach>

## Compatible Parts



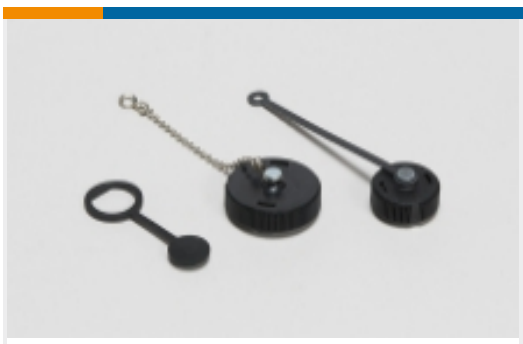
Also in the Series | [AMP CPC](#)



Circular Connector Adapters(7)



Circular Connector Boots & Strain Relief(6)



Circular Connector Caps & Covers(16)



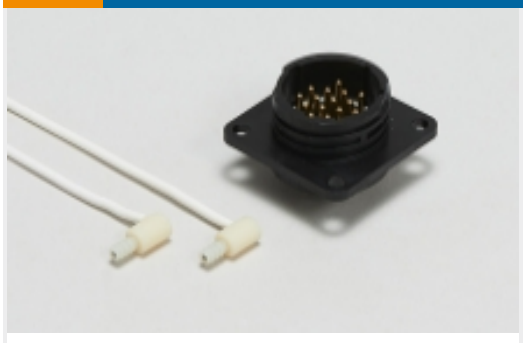
Circular Connector Hardware(3)



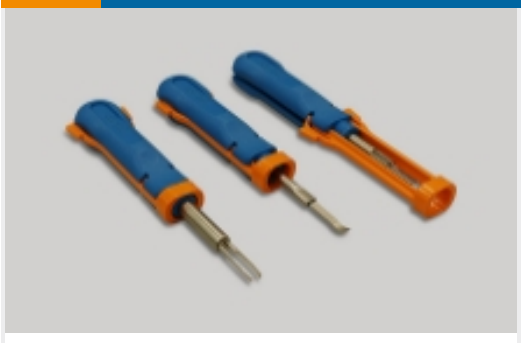
Circular Connector Keying Plugs(2)



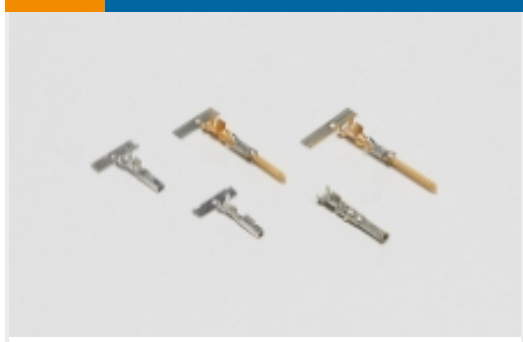
Circular Connector Seals(36)



Circular Power Connectors(459)



Insertion & Extraction Tools(1)



Power Contacts(6)

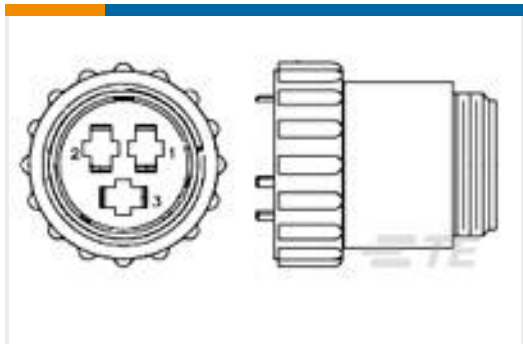


Sealing Sleeves(2)



Unscreened Circular Connector Backshells & Clamps(56)

## Customers Also Bought



TE Part #206037-2  
CPC PLUG ASSEMBLY SIZE 17-3



TE Part #1658612-1  
37 POS HDF RCPT, MS, LEAD FREE



TE Part #206966-7  
CPC Cable Clamps



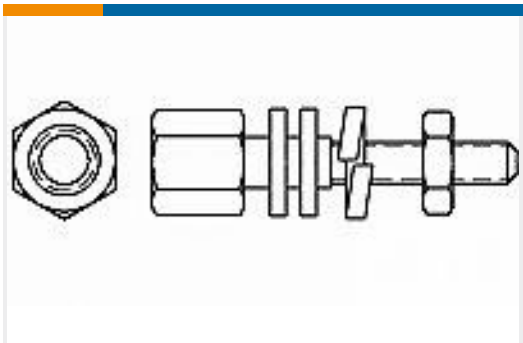
TE Part #1375820-6  
CST-100 II HOUSING 6 POS



TE Part #58495-1  
PRO CRIMPER ASSY MULTIMATE



TE Part #6-1415035-1  
RT78726



TE Part #5747223-3  
AMPLI FEM S'LOCK KIT



TE Part #66101-1  
III+ SKT,18-16,30AU>10,LP

## Documents



**Product Drawings**

**CPC RCPT 20-14 STD SEX**

English

---

**CAD Files**

**3D PDF**

3D

**Customer View Model**

[ENG\\_CVM\\_CVM\\_213651-1\\_N.2d\\_dxf.zip](#)

English

**Customer View Model**

[ENG\\_CVM\\_CVM\\_213651-1\\_N.3d\\_igs.zip](#)

English

**Customer View Model**

[ENG\\_CVM\\_CVM\\_213651-1\\_N.3d\\_stp.zip](#)

English

**3D PDF**

English

**Customer View Model**

[ENG\\_CVM\\_213651-1\\_F.2d\\_dxf.zip](#)

English

**Customer View Model**

[ENG\\_CVM\\_213651-1\\_F.3d\\_igs.zip](#)

English

**Customer View Model**

[ENG\\_CVM\\_213651-1\\_F.3d\\_stp.zip](#)

English

By downloading the CAD file I accept and agree to the [Terms and Conditions](#) of use.

---

**Datasheets & Catalog Pages**

**AMP Circular Connectors for Commercial Signal & Power Applications Continued**

English

---

**Agency Approvals**

**CSA Certificate**

English

**CSA Certificate**

English