

9-2334941-1 ✓ ACTIVE



AMP | Heavy Duty Sealed Connector Series, MATEnet

TE Internal #: 9-2334941-1

Automotive Seals & Cavity Plugs, Single Wire Seal (SWS), Cavity Diameter .098 in [2.5 mm], Silicone Rubber, 50, Heavy Duty Sealed Connector Series

[View on TE.com >](#)

Connectors > Automotive Connectors > Automotive Seals & Cavity Plugs



Connector Seal Type: **Single Wire Seal (SWS)**

Cavity Diameter: **2.5 mm [.098 in]**

Compatible Insulation Diameter Range: **3.2 – 4.1 mm [.126 – .157 in]**

Seal Material: **Silicone Rubber**

Shore A Hardness: **50**

Features

Product Type Features

Connector Seal Type	Single Wire Seal (SWS)
---------------------	------------------------

Body Features

Seal Material	Silicone Rubber
Primary Product Color	Green

Dimensions

Cavity Diameter	2.5 mm[.098 in]
Compatible Insulation Diameter Range	3.2 – 4.1 mm[.126 – .157 in]

Usage Conditions

Operating Temperature (Max)	125 °C[257 °F]
Operating Temperature Range	-40 – 125 °C[-40 – 257 °F]

Other

Shore A Hardness	50
Contains Lubricant	Yes



Product Compliance

[For compliance documentation, visit the product page on TE.com>](#)

EU RoHS Directive 2011/65/EU	Compliant
EU ELV Directive 2000/53/EC	Compliant
China RoHS 2 Directive MIIT Order No 32, 2016	No Restricted Materials Above Threshold
EU REACH Regulation (EC) No. 1907/2006	Current ECHA Candidate List: JAN 2023 (233) Candidate List Declared Against: JAN 2023 (233) Does not contain REACH SVHC
Halogen Content	BFR/CFR/PVC Free, but Br/Cl >900 ppm in other sources.
Solder Process Capability	Not reviewed for solder process capability

Product Compliance Disclaimer

This information is provided based on reasonable inquiry of our suppliers and represents our current actual knowledge based on the information they provided. This information is subject to change. The part numbers that TE has identified as EU RoHS compliant have a maximum concentration of 0.1% by weight in homogenous materials for lead, hexavalent chromium, mercury, PBB, PBDE, DBP, BBP, DEHP, DIBP, and 0.01% for cadmium, or qualify for an exemption to these limits as defined in the Annexes of Directive 2011/65/EU (RoHS2). Finished electrical and electronic equipment products will be CE marked as required by Directive 2011/65/EU. Components may not be CE marked. Additionally, the part numbers that TE has identified as EU ELV compliant have a maximum concentration of 0.1% by weight in homogenous materials for lead, hexavalent chromium, and mercury, and 0.01% for cadmium, or qualify for an exemption to these limits as defined in the Annexes of Directive 2000/53/EC (ELV). Regarding the REACH Regulation, the information TE provides on SVHC in articles for this part number is based on the latest European Chemicals Agency (ECHA) 'Guidance on requirements for substances in articles' posted at this URL: <https://echa.europa.eu/guidance-documents/guidance-on-reach>

Compatible Parts

 <p>TE Part # 9-2331355-1 HD MATEnet 1+6 REC. HSG ASSY, GRP D</p>	 <p>TE Part # 9-2331355-2 HD MATEnet 1+6 REC. HSG ASSY, GRP D</p>	 <p>TE Part # 9-2331355-3 HDSENET 1+6 REC. HSG ASSY D</p>	 <p>TE Part # 9-2331355-4 HDSENET 1+6 REC. HSG ASSY D</p>
--	--	--	--




TE Part # 9-2334935-1
HD MATEnet 1+6 TAB HSG. ASSY, GRP D



TE Part # 9-2334935-2
HD MATEnet 1+6 TAB HSG. ASSY, GRP D




TE Part # 9-2334935-3
HDSENET 1+6 TAB HSG ASSY D




TE Part # 9-2334935-4
HDSENET 1+6 TAB HSG ASSY D


Also in the Series | **Heavy Duty Sealed Connector Series**



Automotive Connector Caps & Covers (25)



Automotive Housings(207)




Automotive Seals & Cavity Plugs(5)



Data Connectivity Headers(2)



Data Connectivity Housings(18)



Other Automotive Connector Accessories(34)




PCB Headers & Receptacles(1)


Also in the Series | **MATEnet**



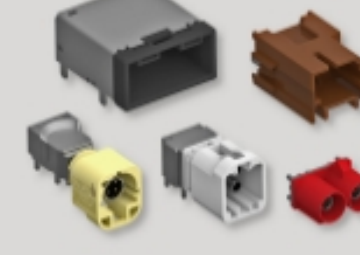
Automotive Connector Caps & Covers (5)



Automotive Housings(1)



Automotive Seals & Cavity Plugs(5)



Data Connectivity Headers(7)



Data Connectivity Housings(31)



Other Automotive Connector Accessories(1)

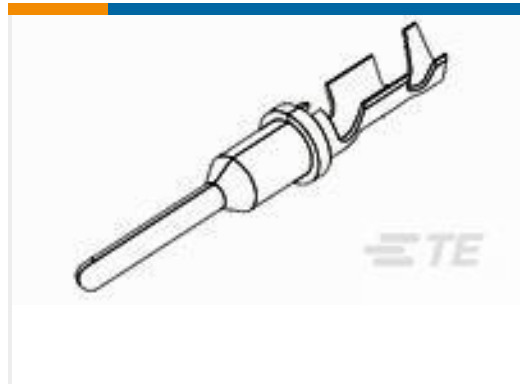


PCB Headers & Receptacles(2)

Customers Also Bought



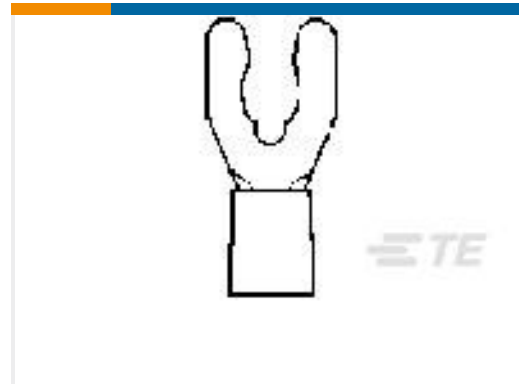
TE Part #776537-1
AMPSEAL 16 Housings



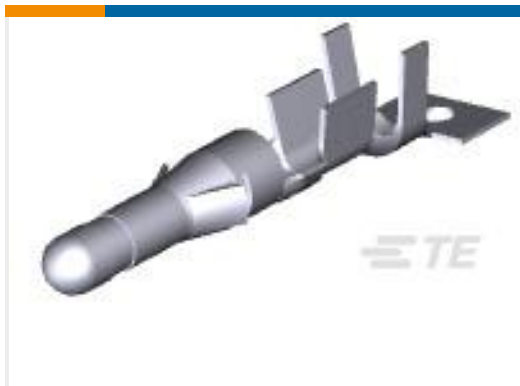
TE Part #1924463-3
PIN, SF, SIZE 16, 18-20 AWG, NI/SN



TE Part #3-1418448-2
3POS MCP1.5k REC HSG CO MID
POS CLOSED



TE Part #52951-1
PG SPR SPD 22-16COM22-18MIL 10
POS CLOSED



TE Part #350416-5
.093 COMM P&S PIN AU/NI/BR



TE Part #2-1625886-4
1W SM M/OX 5% 560R



TE Part #1418762-1
MCON Receptacle and Tab

Documents

Product Drawings

[HD MATEnet 1+6 SWS, GRP D](#)

English

[HD MATEnet 1+6 SWS, GRP D](#)

English

CAD Files

[3D PDF](#)

3D

Customer View Model

[ENG_CVM_CVM_9-2334941-1_A.2d_dxf.zip](#)

English

Customer View Model

[ENG_CVM_CVM_9-2334941-1_A.3d_igs.zip](#)

English

Customer View Model

[ENG_CVM_CVM_9-2334941-1_A.3d_stp.zip](#)



English

By downloading the CAD file I accept and agree to the [Terms and Conditions](#) of use.

[Product Specifications](#)

[Application Specification](#)

English