

Features

- Universal input 100-240VAC
- Direct US Fixed Plugtop Adapters
- Approved to cULus, FCC, REACH
- UL/IEC 62368-1 Safety Approved
- Meets Efficiency Level VI
- FCC Class B Certified
- Single Output 4-30V DC
- OVP, OCP, OTP & Short Circuit



Ideal Power's 15DYS818-xyW-1 18W AC/DC External Adapter US Plugtop Power Supply (PSU) Series are certified to cULus, FCC, REACH & IEC/EN 62368-1 Standards and comply with (EU) 2019/1782, Level VI Efficiency Regulations. These are primarily used in ITE, Audio & Video Industries and customised solutions are available upon request.

Models

Model Number	Output Voltage	Output Current	Output Power
15DYS818-050300W-1	5VDC	3A	15W
15DYS818-075200W-1	7.5VDC	2A	15W
15DYS818-090200W-1	9VDC	2A	18W
15DYS818-120150W-1	12VDC	1.5A	18W
15DYS818-150120W-1	15VDC	1.2A	18W
15DYS818-180100W-1	18VDC	1A	18W
15DYS818-240075W-1	24VDC	0.75A	18W
15DYS818-300060Q-1	30VDC	0.60A	15W

Input Data

	Min	Typical	Max	Units	Notes
Input Voltage	90		264	V AC	100-240VAC +/- 10%
Input Frequency	47		63	Hz	50-60Hz +/- 5%
Input Current		0.5		A	
Inrush Current	0		60	A	At cold start, 100 / 240V AC
Leakage Current			0.25	mA	

Output Data

	Min	Typical	Max	Units	Notes
Output Voltage	3		6	%	
Ripple & Noise	1		3	%	
Over Current Protection					Typically, 115-135% of Rated Current
Short Circuit Protection					Continuous short circuit proof. Will recover if fault condition is removed
Over Voltage Protection					Will recover if fault condition is removed

Environmental Data

	Min	Typical	Max	Units	Notes
Operating Temperature	0		+45	°C	
Storage Temperature	-20		+80	°C	
Operating Humidity	10		90	°C	Operating 10% to 90%
Storage Humidity	5		95	°C	Storage 5% to 95%

Other Information

	Min	Typical	Max	Units	Notes
Isolation					2KVdc, between primary and secondary circuit
MTBF		50000		hrs	
Weight					200 +/-10g
Dimensions					Refer to mechanical drawings

EMC Emissions (2014/30/EU)

	Standard	Test Level	Criteria	Notes
Conducted	EN 55032	Pass	B	EMC Directive 2014/30/EU
Radiated	EN 55032	Pass	B	
Harmonic Standard	EN 61000-3-2		Class D	P.F. shall >0.95 @100Vac input and >0.9 @240Vac input

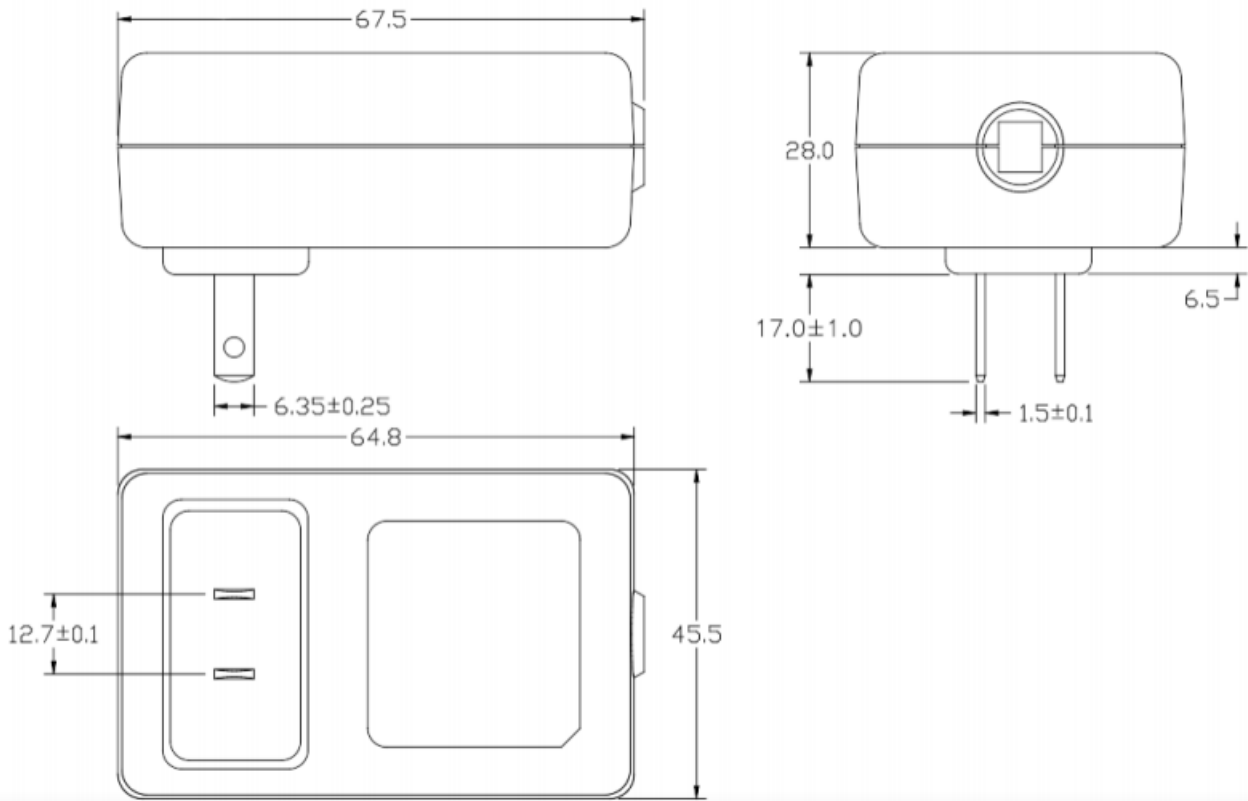
EMC Immunity (2014/30/EU)

	Standard	Test Level	Criteria	Notes
EMS	EN 55035			
EMS	EN 61204-3			
ESD	IEC 61000-4-2		B	Contact: +/- 4KV; Air: +/- 8KV
RS	IEC 61000-4-3			Frequency: 80-1000MHz; Field Strength: 3V/M ' 80% AM (1KHz)
EFT	IEC 61000-4-4		A/B	0.5/1.0KV on input AC power ports
Surge	IEC 61000-4-5		A	Line to Line: +/- 1KV (peak); Line to F.G: +/- 2KV (peak)
Conducted				
PFMF				
Dips and Interruptions				

Safety Approvals

	Safety Standards
RoHS/REACH	RoHS Directive (EU) 2015/863 & REACH (205 SVHC)
CE LVD Directive 2014/35/EU	Yes (UK/European) – Only applicable for UK & EURO plugs. (-1) (-2)
cULus	Yes – Only applicable for US plug. (-1)
TUV	Yes (German/European) – Only applicable for EURO plug. (-2)
RCM & C-Tick	Yes – Only applicable for Australian plug. (-4)

Mechanical Drawing



AC – DC