

Battery Indicator Multi-Color

multicomp **PRO**

RoHS
Compliant



Features

1. Display

- Battery level display mode: 10 LED segment, 1 red, 2 yellow and 7 green.

2. Battery level testing function

- Battery level delay function: Battery level go down one bar by one bar every 150s and go up one bar by one bar every 200s.
- Can customize different battery types.

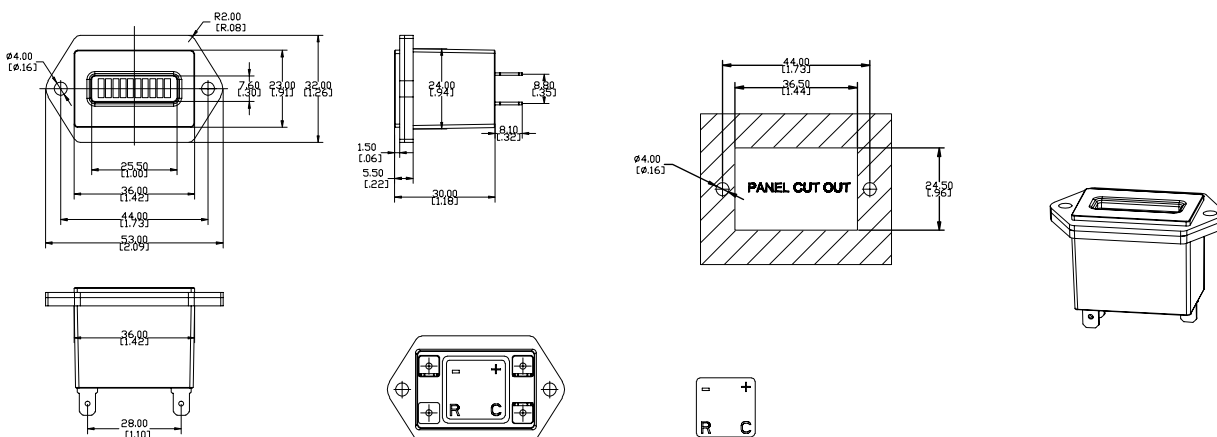
3. Output function

- When the battery level is lower than one bar, it will output 0V; when the battery level is higher than one bar, it will output 5V.

Specification

Product Name	: Lead acid storage Battery Indicator
Product size	: 53mm × 32mm × 24mm
Working Voltage	: 9V DC to 85V DC
Display screen	: 10 Segment LED Bar Graph
Operation current	: 20mA
Pin material	: Copper
Pin type	: +, -, C\
Display panel material	: Transparent ABS
Waterproof rate	: IP65
Operation temperature	: -20°C to 75°C

Diagram



Newark.com/multicomp-pro
Farnell.com/multicomp-pro
sg.element14.com/b/multicomp-pro

multicomp **PRO**

Battery Indicator

Multi-Color

multicomp PRO

+	12-24V: Power input positive terminal and connect positive pole of power supply, range DC 9-28V.
-	Power input negative terminal and connect negative pole of power supply
C	Key switch. Connect the positive pole of battery
R	When the battery level is lower than one bar, it will output 0V; When the battery level is higher than one bar; it will output 5V. (can customize)

Battery type (can Customize)		Battery level									
		1	2	3	4	5	6	7	8	9	10
Lead-acid	12V	10.38	10.59	10.8	11.01	11.22	11.43	11.64	11.85	12.3	>12.3
	24V	20.76	21.18	21.6	22.02	22.44	22.86	23.28	23.7	24.6	>24.6

Part Number Table

Description	Part Number
Battery Indicator, 12-24V, Lead-Acid	MP011718

Important Notice : This data sheet and its contents (the "Information") belong to the members of the AVNET group of companies (the "Group") or are licensed to it. No licence is granted for the use of it other than for information purposes in connection with the products to which it relates. No licence of any intellectual property rights is granted. The Information is subject to change without notice and replaces all data sheets previously supplied. The Information supplied is believed to be accurate but the Group assumes no responsibility for its accuracy or completeness, any error in or omission from it or for any use made of it. Users of this data sheet should check for themselves the Information and the suitability of the products for their purpose and not make any assumptions based on information included or omitted. Liability for loss or damage resulting from any reliance on the Information or use of it (including liability resulting from negligence or where the Group was aware of the possibility of such loss or damage arising) is excluded. This will not operate to limit or restrict the Group's liability for death or personal injury resulting from its negligence. Multicomp Pro is the registered trademark of Premier Farnell Limited 2019.

Newark.com/multicomp-pro
Farnell.com/multicomp-pro
sg.element14.com/b/multicomp-pro

multicomp PRO