

RF Product Information

■RFMTA370630EMMB301 Series for WIFI 6/6E/7 Application at 2.4~2.5/5.15~7.125GHz

Application

- 2.4~2.5/5.15~7.125GHz in Smart Home, Networking System and AR/VR System
- Device for embedded WIFI 6/6E/7 system



Recommended Link Parts

RFCON020100EF6B001(On Board RF Connector)

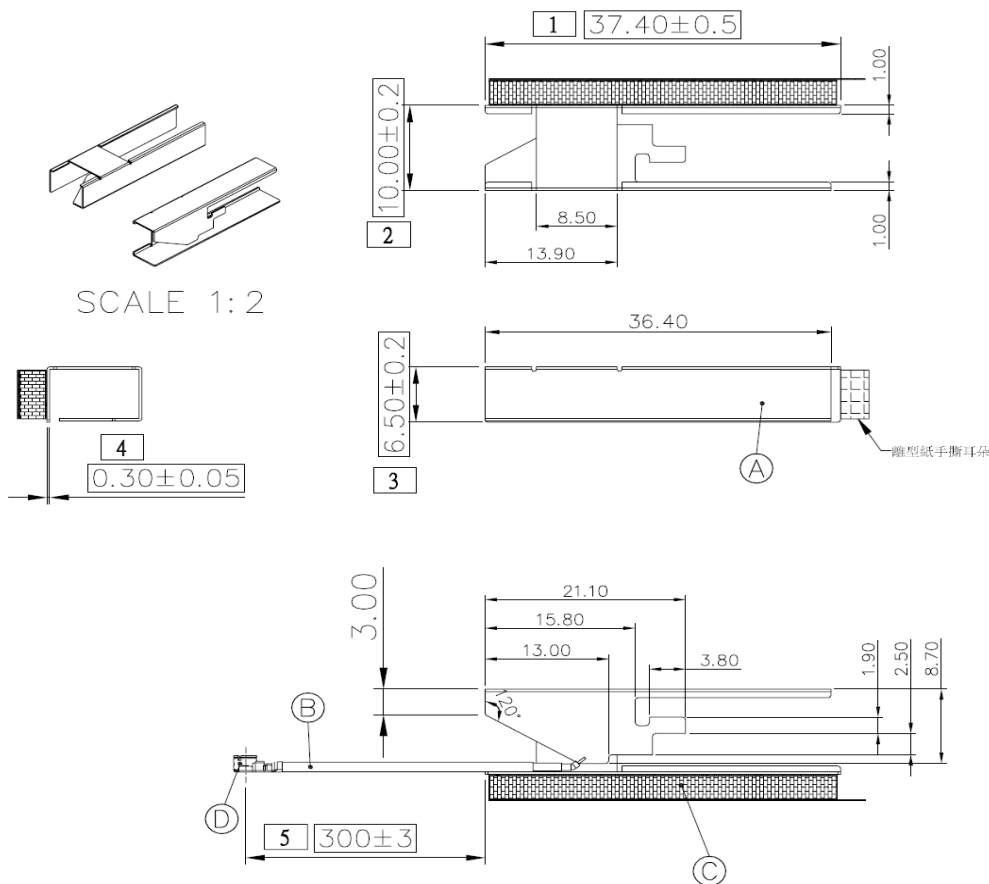
ELECTRICAL CHARACTERISTICS

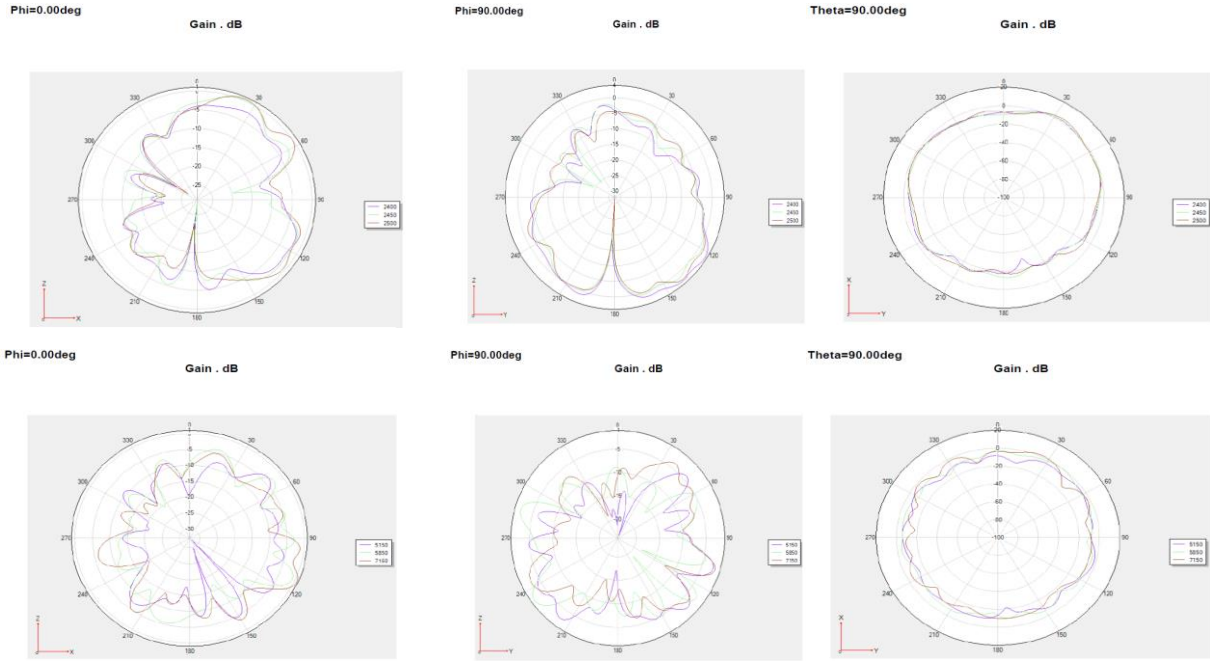
| Item | Specification |
|-----------------|------------------------------------|
| Frequency Range | 2400 ~ 2500 MHz 5150 ~ 7125 MHz |
| Impedance | 50 Ohm Nominal |
| VSWR | 2.5 Max. |
| Radiation | Omni-directional |
| Polarization | Linear Vertical |
| Admotted Power | 1W |

MATERIAL TABLE

| Item | Description |
|----------------------------|------------------------------|
| Antenna | SUS430 |
| Sponge+Double Tape(3M9448) | T=3.0mm |
| Cable | ψ 1.13 Cable;Black |
| Connector | (IV)IPEX Compatible(Ni/Gold) |

Frequency :
2.4~2.5/5.15~7.15 GHz





INFORMATION

For more information, please contact with
[Walsin Technology Corporation](http://www.walsin.com)
 Tel : 886-3-475-8711
 Fax : 886-3-475-5197
 E mail : info@passivecomponent.com
 Web Site : http://www.passivecomponent.com