

**RF Product Information**

- RFDPA131000SBLB806 Series for WIFI Application at 2.4/5.8GHz

**Application**

- 2.4/5.8GHz in Smart Home, Networking system and Lighting control system
- Device for external WIFI system

**Recommended Link Parts**

- RFCON161202SA6B001(On Board RF Connector)
- RFCBA110609SA6B301(Connected To Module's Coaxial Cable)



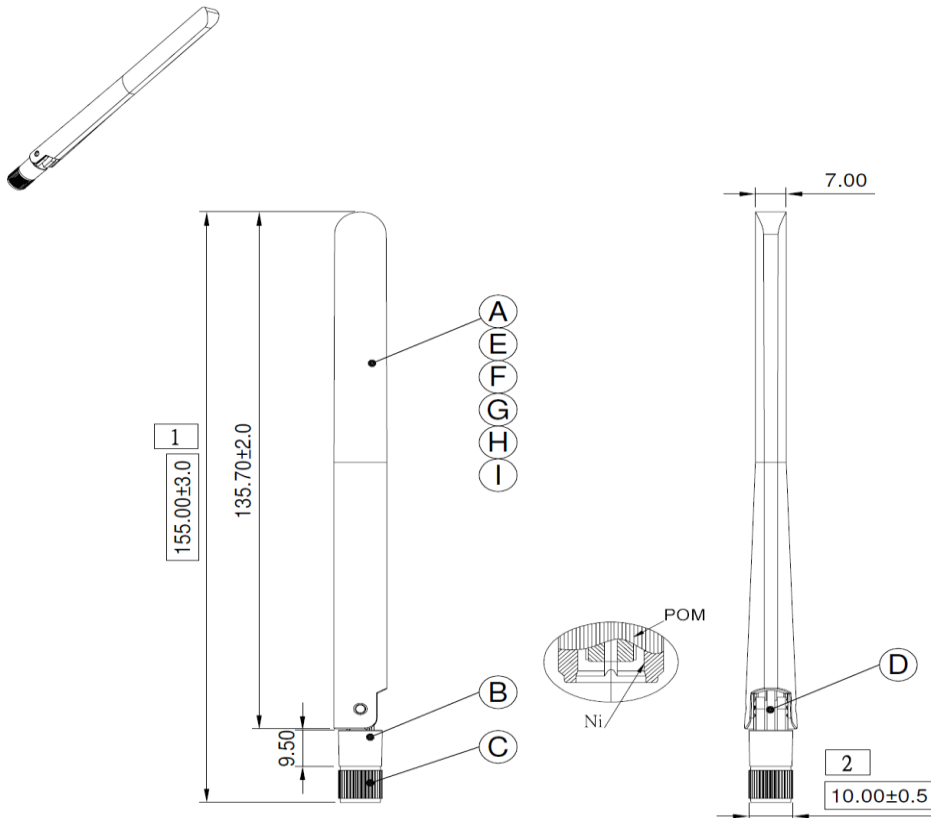
**ELECTRICAL CHARACTERISTICS**

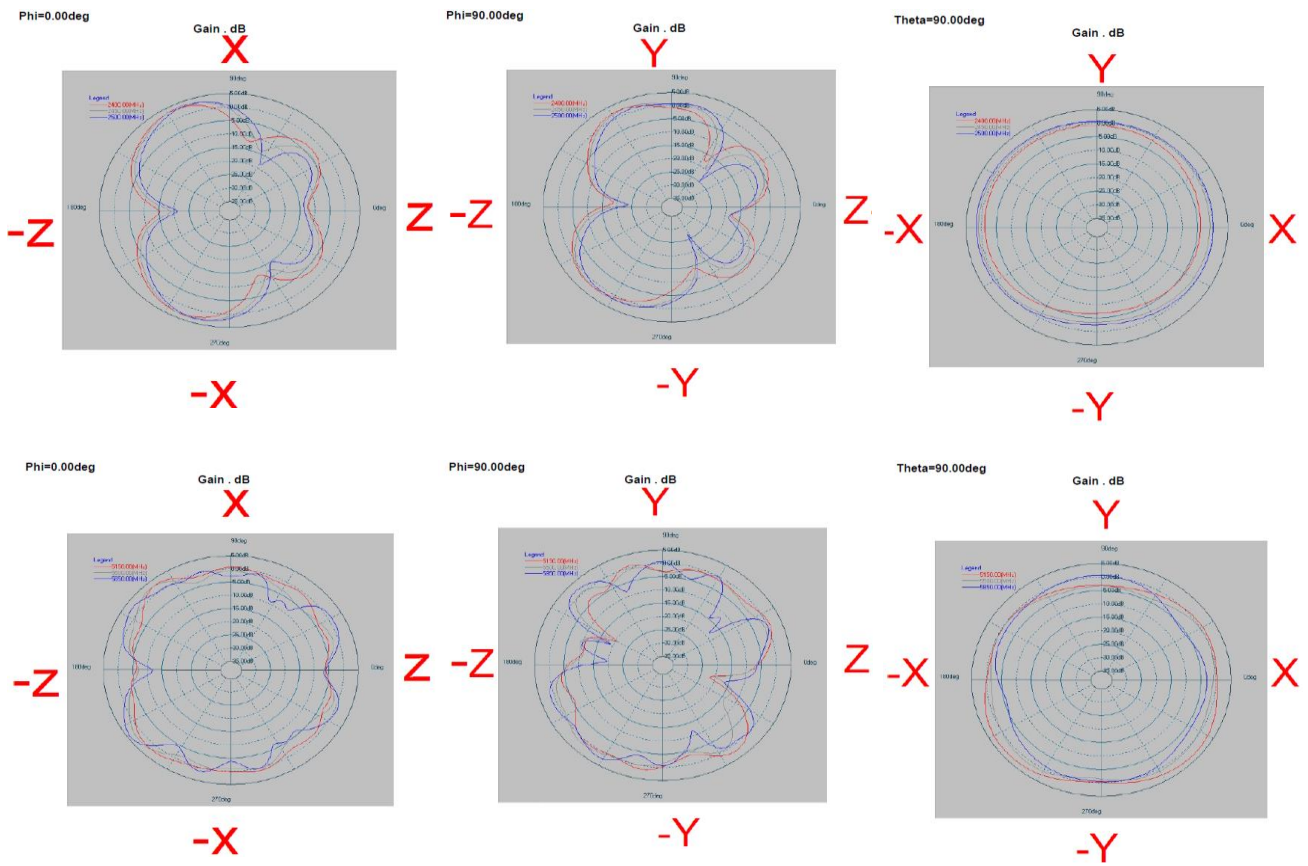
Item	Specification
Frequency Range	2.4~2.5 / 5.15~5.85GHz
Impedance	50 Ohm Nominal
VSWR	2 Max.
Radiation	Omni-directional
Polarization	Linear Vertical
Admotted Power	1W

**MATERIAL TABLE**

Item	Description
Antenna Cover	ABS(Black)
Antenna Base	PC+PBT(Black)
Connector	Reverse SMA Plug(Black)
Brass Tube	FR4
Spring	Zin Base Alloy
Heat Shrink Tube	Phosphor Bronze
Sponge	Black
Cable	RG178 Cable;Brown

ELECTRICAL  
Frequency: 2.4/5. x GHz





## INFORMATION

For more information, please contact with  
[Walsin Technology Corporation](http://www.walsin.com)  
 Tel : 886-3-475-8711  
 Fax : 886-3-475-5197  
 E mail : [info@passivecomponent.com](mailto:info@passivecomponent.com)  
 Web Site : <http://www.passivecomponent.com>