

RF Product Information

■RFDPA131000SBUB801 Series for UHF Application at 315MHz

Application

- UHF 315MHz in smart meter, industrial data acquisition system and door control system
- Device for external UHF system

Recommended Link Parts

RFCON161202SA6B001(On Board RF Connector)
RFCBA110609SA6B301(Connected To Module's Coaxial Cable)



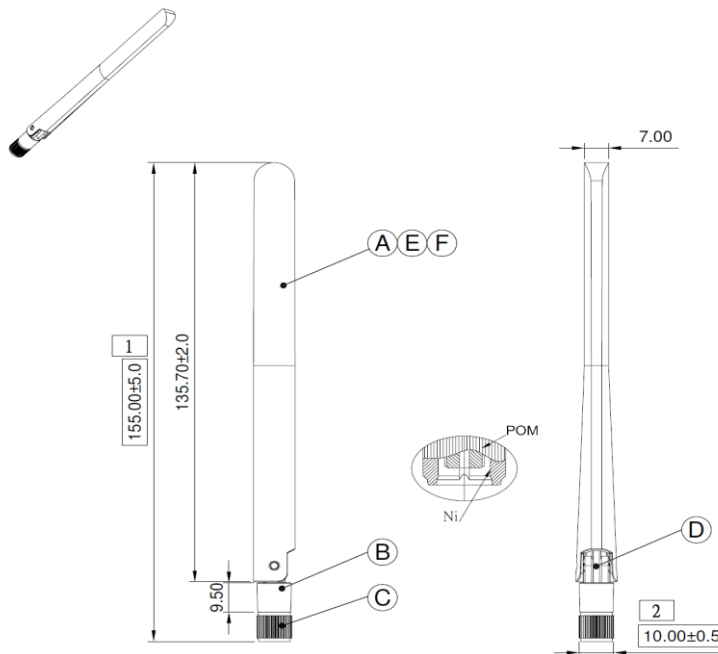
ELECTRICAL CHARACTERISTICS

Item	Specification
Frequency Range	315MHz
Impedance	50 Ohm Nominal
VSWR	2 Max.
Radiation	Omni-directional
Polarization	Linear Vertical
Admotted Power	1W

MATERIAL TABLE

Item	Description
Antenna Cover	ABS(Black)
Antenna Base	PC+PBT(Black)
Connector	Reverse SMA Plug(Black)
PCB	FR4
Sponge	Black
Cable	RG178 Cable;Brown

ELECTRICAL
Frequency: 315 MHz



INFORMATION

For more information, please contact with
[Walsin Technology Corporation](http://www.walsin.com)
 Tel : 886-3-475-8711
 Fax : 886-3-475-5197
 E mail : info@passivecomponent.com
 Web Site : http://www.passivecomponent.com