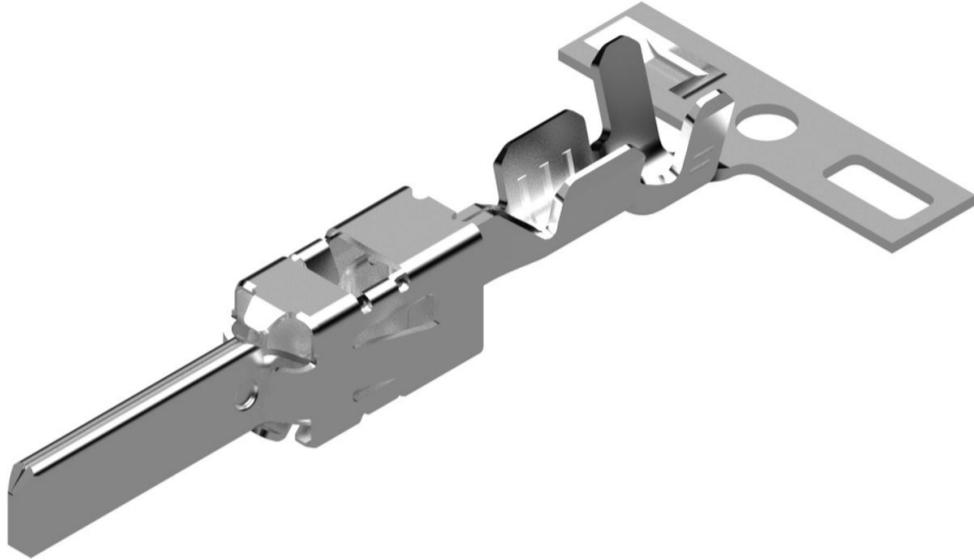


SEARCH KEYWORD, PART NUMBER



Part Number: 10774272

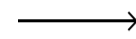
Product Name: [APCS 2.8 Locking Lance Unsealed Series](#)

Old/Legacy Part Number: 60110631

DCS 2.8 Locking Lance Unsealed Terminal

This part is not currently offered in our sample program.

[SEND REQUEST](#)



Request this part be added to the sample program.



## Attributes

Product Family APCS	Cable Diameter (mm) - Maximum 2.1
Product Series 2.8 Locking Lance Unsealed Series	Net Weight 1Piece (g) 0.6
Gender Male	Blade Size (mm) 2.8
Sealing Unsealed	Plating SN
Cable Cross Section (mm) - Minimum 0.5	Locking Mechanism LOCKING LANCE
Cable Cross Section (mm) - Maximum 1	
Cable Diameter (mm) - Minimum 1.4	