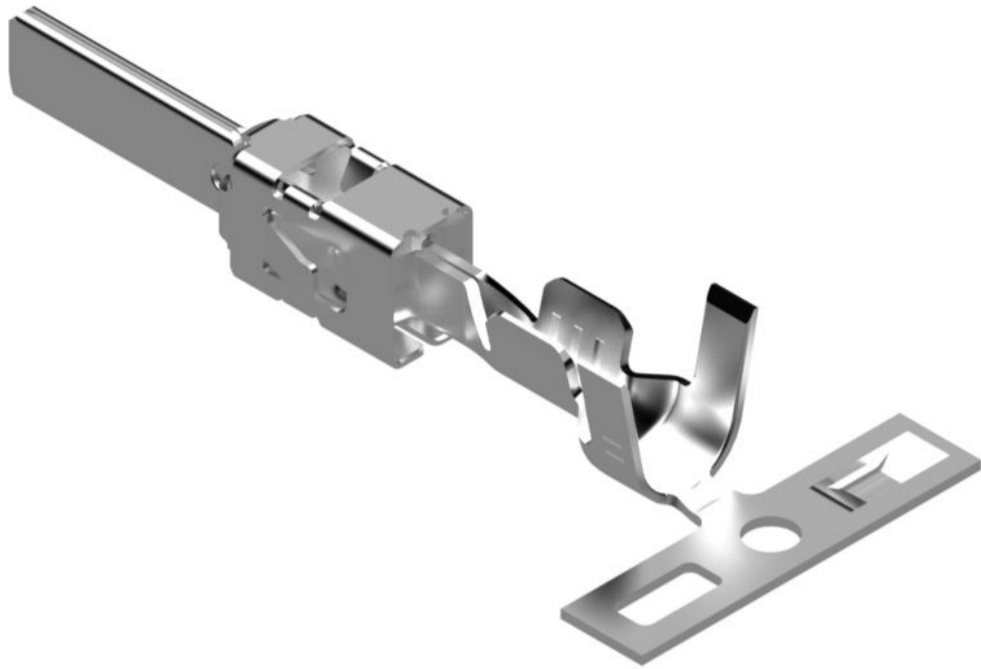


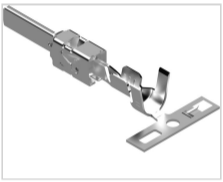
SEARCH KEYWORD, PART NUMBER



Part Number: 33500680

Product Name: [APCS 2.8 Locking Lance Sealed Series](#)

2.8 Male DCS-2 Locking Lance AG Terminal



Attributes

Product Family APCS	Cable Diameter (mm) - Maximum 1.4
Product Series 2.8 Locking Lance Sealed Series	Net Weight 1Piece (g) 0.604
Gender Male	Blade Size (mm) 2.8
Sealing Sealed	Plating AG
Cable Cross Section (mm) - Minimum 0.22	Locking Mechanism LOCKING LANCE
Cable Cross Section (mm) - Maximum 0.35	
Cable Diameter (mm) - Minimum 1.1	