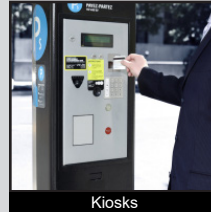


PB66 SERIES PUSHBUTTON SWITCH

ANTI-VANDAL SWITCHES
DETECTOR SWITCHES
DIP SWITCHES
KEYLOCK SWITCHES
NAVIGATION SWITCHES
PUSHBUTTON SWITCHES
ROCKER SWITCHES
ROTARY SWITCHES
SLIDE SWITCHES
SNAP ACTION SWITCHES
TACTILE SWITCHES
TOGGLE SWITCHES
CAP OPTIONS



APPLICATIONS / MARKETS



RoHS

SPECIFICATIONS

Contact Arrangement: DPDT Off-On Latching
Contact Rating: 16(16)A 127VAC, UL
Contact Resistance: 50mΩ Max.
Insulation Resistance: 2MΩ Min. @ 500VDC
Dielectric Strength: 1,300VAC min. for 1 minute
Electrical Life: 50,000 Cycles
Operating Temperature: 0°C to 55°C
Storage Temperature: -25°C to 85°C
Actuation Force: 13 N
Panel Thickness: 0.7mm to 2.50mm MAX.
Moisture Protection: IP66

FEATURES & BENEFITS

- Easy operation
- 50,000 Cycle Electrical Life
- Illumination options
- 25mm cutout size
- IP66 rated

PART NUMBER CONFIGURATOR

Series	Function	Circuit	Rating	Actuator Options	Termination	Actuator Options	Lens Color Options	Illumination Voltage Options
<input type="text" value="PB66"/>	<input type="text" value="EE = Latching"/>	<input type="text" value="2 = DPDT Off-On"/>	<input type="text" value="C = (16)16A - 127VAC, UL"/>	<input type="text" value="R = Round"/>	<input type="text" value="6 = 6.3mm"/>	<input type="text" value="N = Non-Illuminated Power Symbol Laser Etched P = Illuminated Power Symbol"/>	<input type="text" value="None = Non-Illuminated 0 = White 1 = Red 3 = Green 4 = Blue"/>	<input type="text" value="None = Non-Illuminated 1 = Base Voltage"/>

Specifications subject to change without notice 1.10.2023



E-SWITCH®

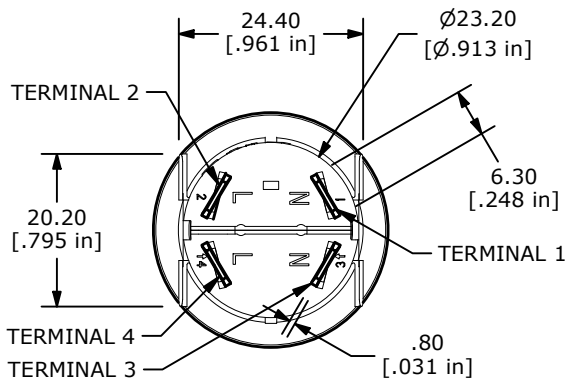
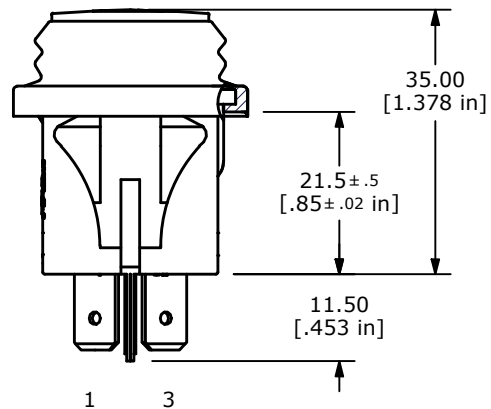
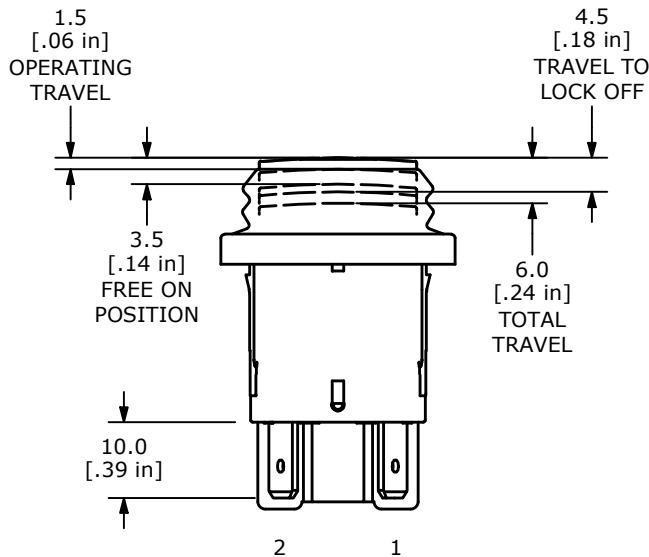
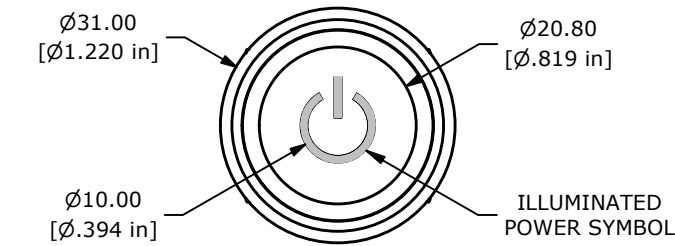
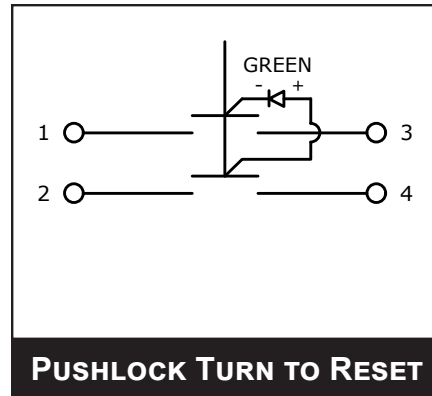
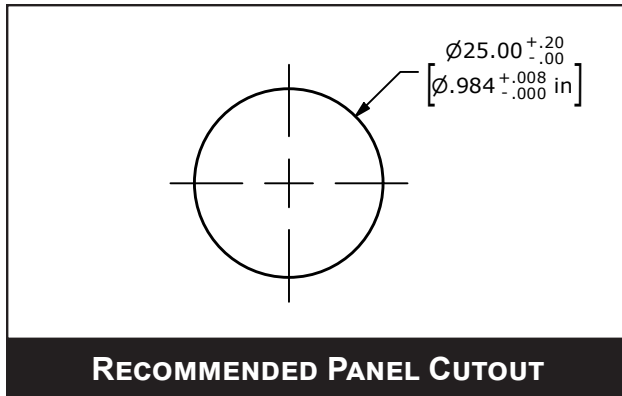
www.e-switch.com

800.867.2717

1

PB66 SERIES PUSHBUTTON SWITCH

BODY DIMENSIONS - ILLUMINATED



PB66 SERIES PUSHBUTTON SWITCH

Body Dimensions - Non-Illuminated

