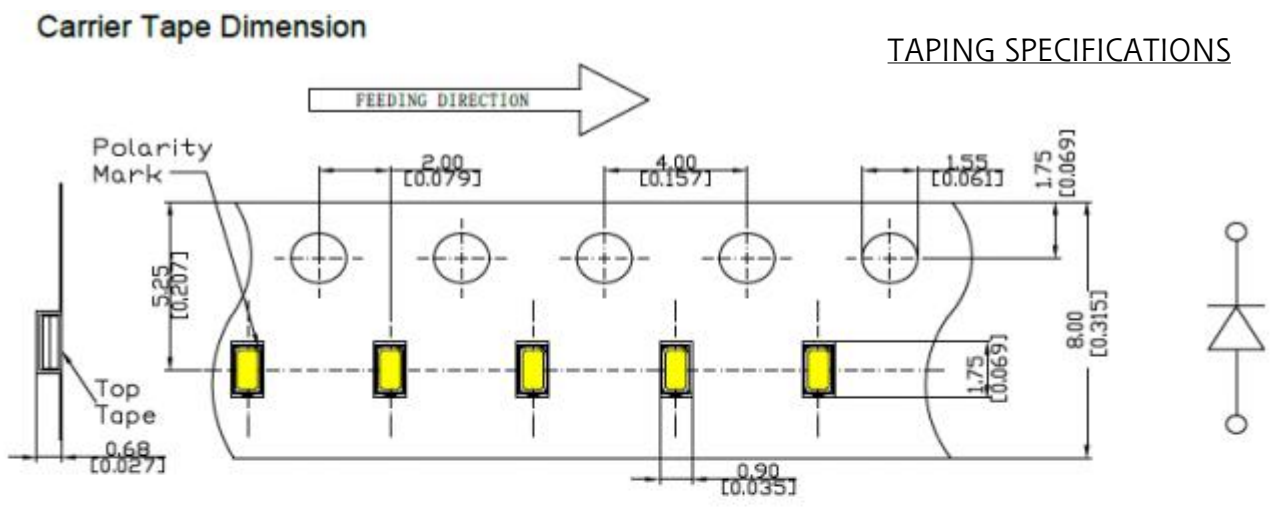
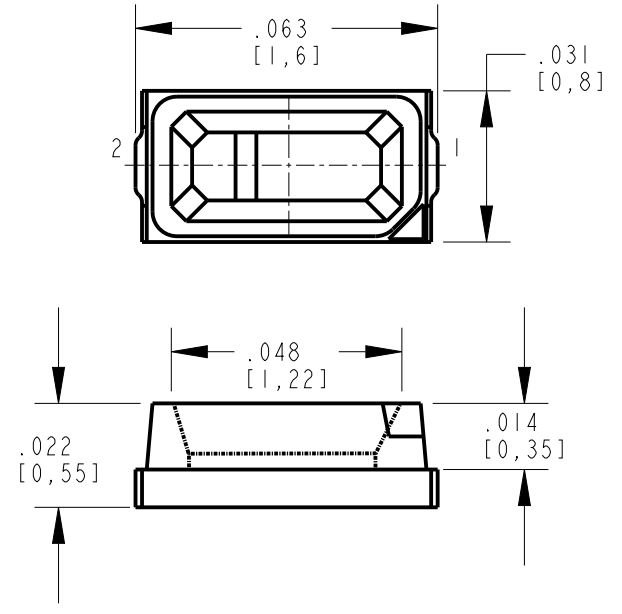


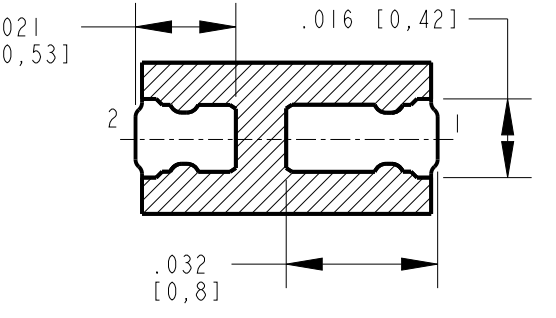
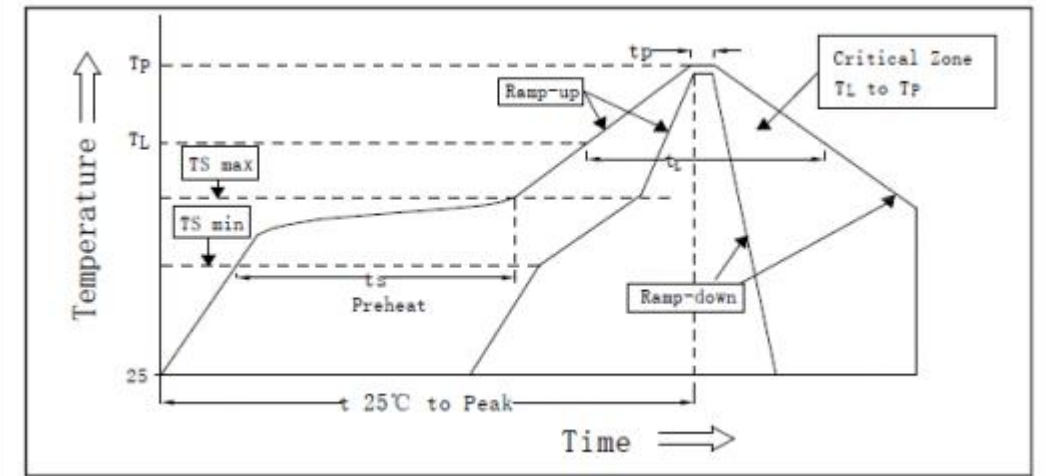
DIALIGHT PART NO.	LED COLOR
598-2L01-107F	WHITE
598-2L01-102F	(X=0.27, Y=0.25)
598-2L00-107F	WHITE
598-2L00-102F	(X=0.19, Y=0.21)

- NOTES:
- PIN NUMBERS ARE FOR REFERENCE ONLY, DESIGNATION NON-EXISTENT ON PART.
 - LABELING FOR REEL AND OUTSIDE OF ALUMINUM BAG, DIALIGHT P/N, QUANTITY PER REEL, DATE CODE, INTENSITY BIN CODE, LOT NUMBER AND COUNTRY OF ORIGIN.
 - THIS PRODUCT IS RoHS COMPLIANT. EACH BAG IS TO BE MARKED WITH RoHS COMPLIANT LABEL OR EQUIVALENT MARKINGS. LED MUST BE Pb FREE.
 - MOISTURE SENSITIVITY LEVEL 3.
 - QUANTITY : PART NUMBERS END WITH 107F REFER AS 4000 PCS/ REEL
PART NUMBERS END WITH 102F REFER AS 20 PCS/ STRIP

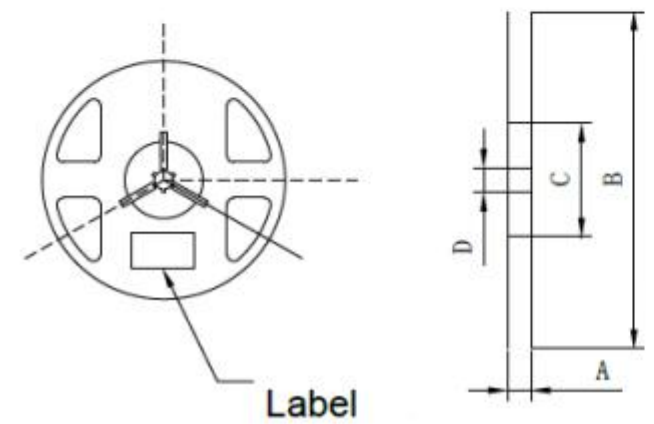
REV	ECN NO	REVISIONS	DRN	CKD	APP	DATE
A	106343	NEW RELEASE	JSG	CS	NO	02JUN23



RECOMMENDED RoHS SOLDER PROFILE



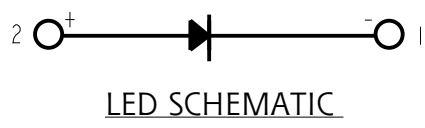
Reel Dimension



A	8.0±0.1mm
B	178±1mm
C	60±1mm
D	13.0±0.5mm

TOLERANCE (UNLESS OTHERWISE SPECIFIED): ±0.003(±0.1mm)

MARK	DEFINITION	CONDITION
TS _{max}	MAXIMUM OF PRE-HEATING TEMPERATURE	200°C
TS _{min}	MINIMUM OF PRE-HEATING TEMPERATURE	150°C
T _s	TIME FORM T _{smin} To T _{smax}	60s-120s
T _L	REFERENCE TEMPERATURE	217°C
t _L	RETENTION TIME FOR T _L	60s-150s
T _p	PEAK TEMPERATURE	260°C
t _p	TIME FOR PEAK TEMPERATURE	WITHIN 10s
DTr/Dt	TEMPERATURE RISING RATE	WITHIN 3°C/sec
DTd/Dt	TEMPERATURE DECREASING RATE	WITHIN 6°C/sec

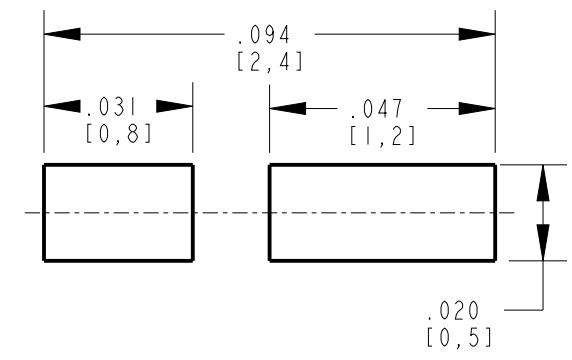


ABSOLUTE MAXIMUM RATINGS AT 25°C

LED COLOR (mcd)	POWER DISSIPATON (mW)	FORWARD CURRENT (mA)	PEAK FORWARD CURRENT (mA)	OPERATING TEMPRATURE (°C)	STORAGE TEMPRATURE (°C)	DERATING CURVE FROM 25°C (mA/°C)	ELECTROSTATIC DISCHARGE (V)
WHITE(1200-2800)	108	30	60	-40°C TO +85°C	-40°C TO +85°C	.333	1000
WHITE(150-800)	68	20	1/10 DUTY CYCLE, 0.1ms PULSE WIDTH	-40°C TO +85°C	-40°C TO +85°C	.250	1000

OPERATING CHARACTERISTICS AT 25°C AMBIENT

LED COLOR (mcd)	TEST CONDITION (mA)	LUMINOUS INTENSITY (mcd)		FORWARD VOLTAGE (V)		CHROMATICITY COORDINATES (CALCULATED)	REVERSE CURRENT (uA)	VIEWING ANGLE (DEGREES)	THERMAL RESISTANCE °C/W	
		MIN	MAX	MIN	MAX				TYP	MAX
WHITE(1200-2800)	20mA	1200	2800	2.8	3.6	X=0.270 Y=0.256	10µA @ VR=5V/10ms	140	450	
WHITE(150-800)	5mA	150	800	2.6	3.4	X=0.194 Y=0.212		140	450	



ATTENTION:
OBSERVE PRECAUTIONS FOR
HANDLING ELECTROSTATIC
SENSITIVE DEVICES

THIS DRAWING AND THE CONTENTS HEREIN ARE CONFIDENTIAL AND THE SOLE PROPERTY OF DIALIGHT CORP. REPRODUCTION OF THIS DRAWING OR CONSTRUCTION OF ANY PARTS WITHIN THIS DRAWING ARE FORBIDDEN WITHOUT THE WRITTEN CONSENT OF DIALIGHT CORP.

DIALIGHT CORP INTERNAL REFERENCE ONLY = 3D MODEL : 4500521862X23- .J

SCALE: 25.000

ALL DIM's: INCH (mm)

TOLERANCES: UNLESS OTHERWISE SPECIFIED

FRACTIONS: ±1/64

DECIMALS (.XX): ±.01

DECIMALS (.XXX): ±.005

DECIMALS (.XXXX): ±.0005

ANGLES: ±1°

FINISH

FSCM 83330

DRAWING NUMBER: C-18685

REV: A

TITLE: SM 0603 WHT W REFLECTOR

MATERIAL

Dialight 1501 ROUTE 34 SOUTH FARMINGDALE, NJ 07727 (732) 919-3119 www.dialight.com

SHEET 1 OF 1 FAMILY TABLE: