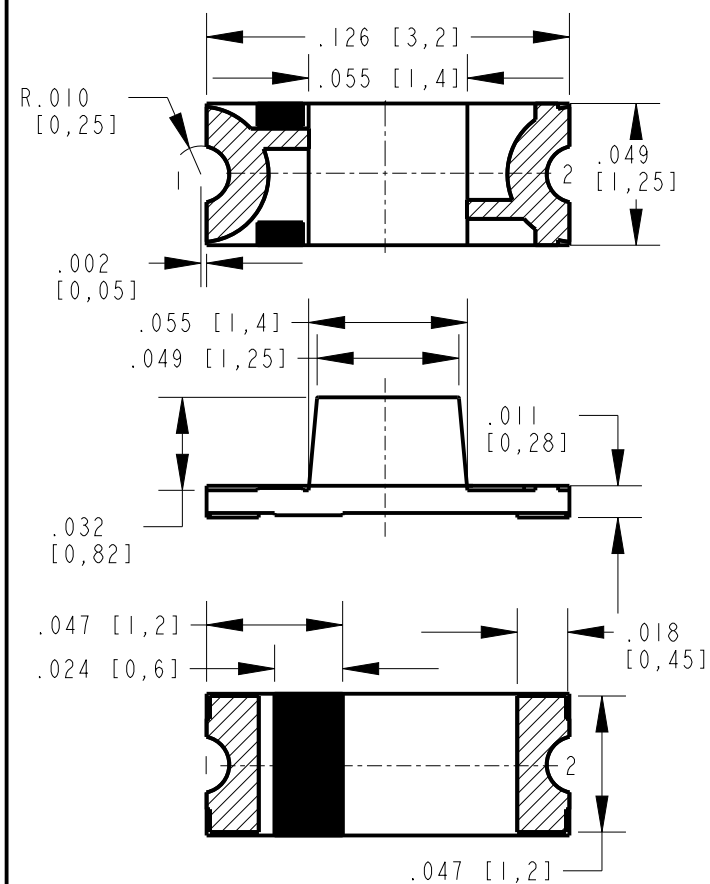


DIALIGHT PART NO.	LED COLOR
598-2K00-107F	WHITE
598-2K00-102F	(X=0.30, Y=0.30)

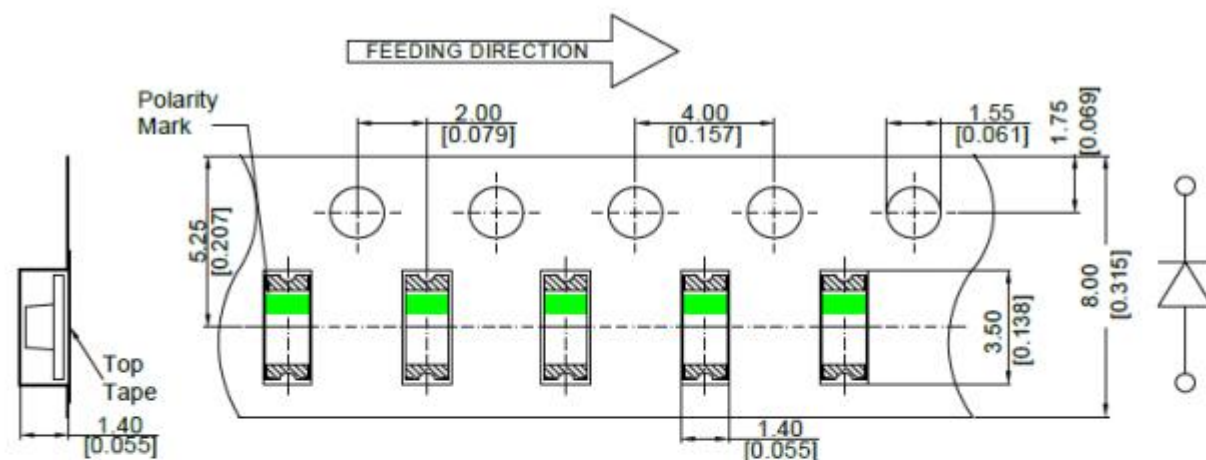
REV	ECN NO	REVISIONS	DRN	CKD	APP	DATE
A	106343	NEW RELEASE	JSG	CS	NO	02JUN23

- NOTES:
- PIN NUMBERS ARE FOR REFERENCE ONLY, DESIGNATION NON-EXISTENT ON PART.
 - LABELING FOR REEL AND OUTSIDE OF ALUMINUM BAG, DIALIGHT P/N, QUANTITY PER REEL, DATE CODE, INTENSITY BIN CODE, LOT NUMBER AND COUNTRY OF ORIGIN.
 - THIS PRODUCT IS RoHS COMPLIANT. EACH BAG IS TO BE MARKED WITH RoHS COMPLIANT LABEL OR EQUIVALENT MARKINGS. LED MUST BE Pb FREE.
 - MOISTURE SENSITIVITY LEVEL 3.
 - QUANTITY : PART NUMBERS END WITH 107F REFER AS 3000 PCS/ REEL
PART NUMBERS END WITH 102F REFER AS 20 PCS/ STRIP



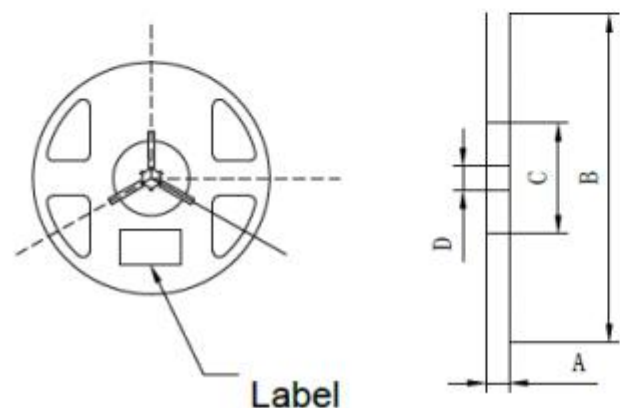
Carrier Tape Dimension

TAPING SPECIFICATIONS



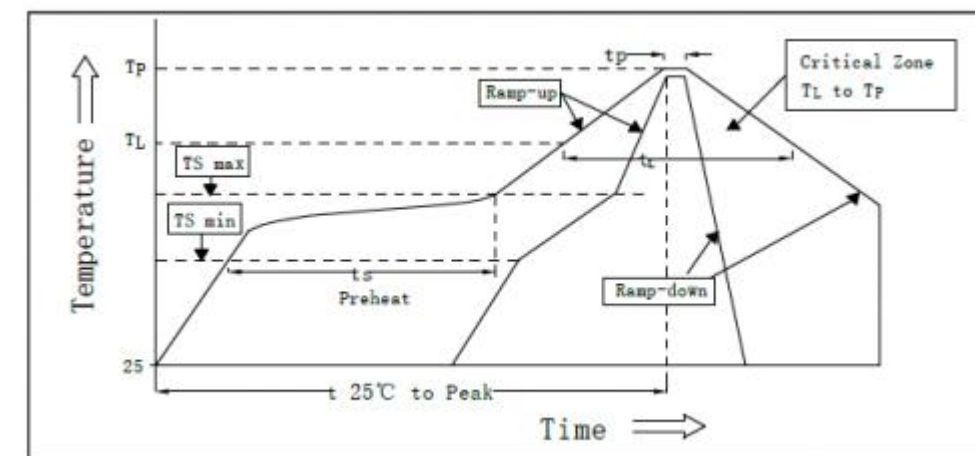
Reel Dimension

TOLERANCE (UNLESS OTHERWISE SPECIFIED): $\pm 0.003 (\pm 0.1mm)$



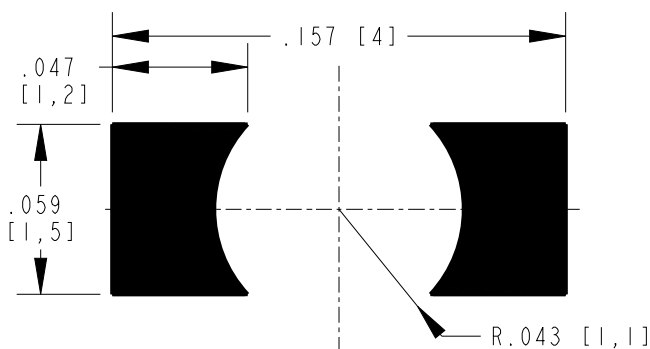
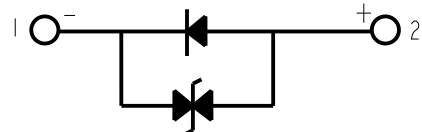
A	8.0 ± 0.1mm
B	178 ± 1mm
C	60 ± 1mm
D	13.0 ± 0.5mm

RECOMMENDED RoHS SOLDER PROFILE

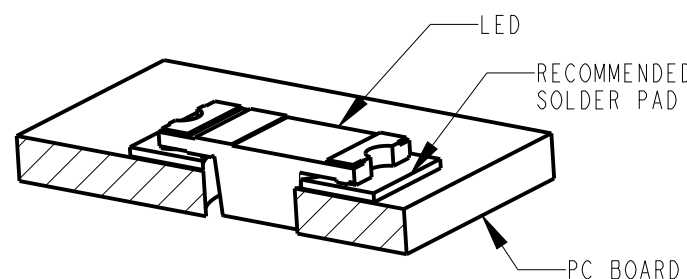


MARK	DEFINITION	CONDITION
$T_{S\max}$	MAXIMUM OF PRE-HEATING TEMPERATURE	200°C
$T_{S\min}$	MINIMUM OF PRE-HEATING TEMPERATURE	150°C
T_s	TIME FORM $T_{S\min}$ To $T_{S\max}$	60s-120s
T_L	REFERENCE TEMPERATURE	217°C
t_L	RETENTION TIME FOR T_L	60s-150s
T_P	PEAK TEMPERATURE	260°C
t_p	TIME FOR PEAK TEMPERATURE	WITHIN 10s
DT_r/Dt	TEMPERATURE RISING RATE	WITHIN 3°C/sec
DT_d/Dt	TEMPERATURE DECREASING RATE	WITHIN 6°C/sec

LED SCHEMATIC



RECOMMENDED SOLDER PAD LAYOUT



ABSOLUTE MAXIMUM RATINGS AT 25°C							
LED COLOR	POWER DISSIPATION (mW)	FORWARD CURRENT (mA)	PEAK FORWARD CURRENT (mA)	OPERATING TEMPERATURE (°C)	STORAGE TEMPERATURE (°C)	DERATING CURVE FROM 25°C (mA/°C)	ELECTROSTATIC DISCHARGE (V)
WHITE	68	20	60	-40°C TO +85°C	-40°C TO +85°C	0.250	5000

OPERATING CHARACTERISTICS AT 25°C AMBIENT									
LED COLOR	TEST CONDITION (mA)	LUMINOUS INTENSITY (mcd)		FORWARD VOLTAGE (V)		CHROMATICITY COORDINATES (CALCULATED)	REVERSE CURRENT (µA)	VIEWING ANGLE (DEGREES)	THERMAL RESISTANCE °C/W
		TYP	MIN	MAX	MIN				
WHITE	5mA	100	350	2.6	3.4	X=0.300 Y=0.302	10µA @ VR=5V	140	450



ATTENTION:
OBSERVE PRECAUTIONS FOR
HANDLING ELECTROSTATIC
SENSITIVE DEVICES

THIS DRAWING AND THE CONTENTS HEREIN ARE CONFIDENTIAL AND THE SOLE PROPERTY OF DIALIGHT CORP. REPRODUCTION OF THIS DRAWING OR CONSTRUCTION OF ANY PARTS WITHIN THIS DRAWING ARE FORBIDDEN WITHOUT THE WRITTEN CONSENT OF DIALIGHT CORP.		
DIALIGHT CORP INTERNAL REFERENCE ONLY = 3D MODEL : 4500521862823- .2		
SCALE: 15.00	DRAWING NUMBER	REV
ALL DIM'S: INCH (mm)	C-18668	A
TOLERANCES: UNLESS OTHERWISE SPECIFIED	TITLE	
FRACTIONS: ±1/64	1206 REVERSE MOUNT WHITE LED	
DECIMALS (.XX): ±.01	MATERIAL	
DECIMALS (.XXX): ±.005		
DECIMALS (.XXXX): ±.0005		
ANGLES: ±1°		
FINISH		
FSCM 83330	Dialight	
	1501 ROUTE 34 SOUTH FARMINGDALE, NJ 07727 (732) 919-3119 www.dialight.com	
	SHEET 1 OF 1	FAMILY TABLE: