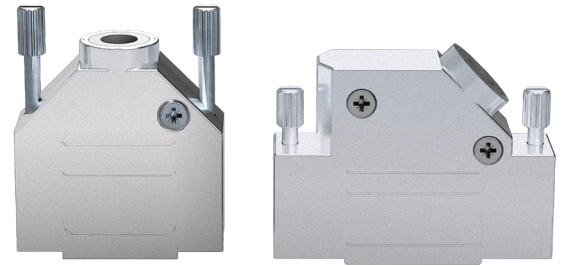


# DT / DS Series Backshells

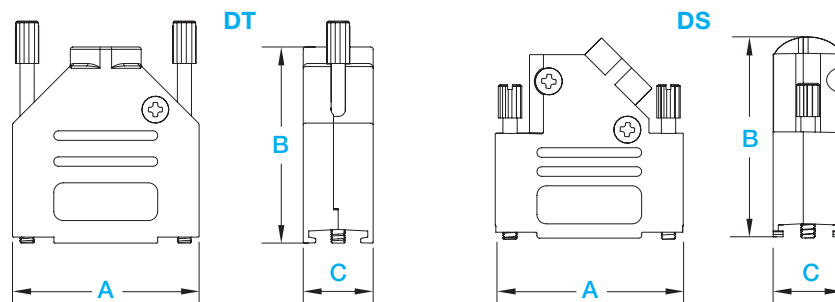


## FEATURES

- Zinc die-cast for D-Sub connectors
- Available in shell sizes 1 through 4
- Top exit or side exit
- Offers EMI Protection
- Captive mounted jackscrews
- Strain relief insert tree accommodates a variety of cable diameters
- Jackscrews available with 4-40 or M3 threads
- Suitable for robust use

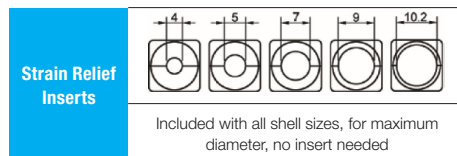
## TECH SPECS

Part Number	DT (Top exit) DS (Side exit)
Performance Level	Industrial
RoHS Compliance	Compliant
Material	Zinc, nickel plated
Jackscrews	Brass, nickel plated, UNC 4-40 or M3
Cable Exit	Top exit Side exit
Strain Relief	ABS plastic
Assembly Screws	Brass, nickel plated
Cable O.D.	Up to 11.50mm [.453 inches]
Operating Temperature	-40°C to +120°C



Layout	Shell Size	A	B	C	DT Cable Exit	DS Cable Exit
9	1	31.0 [1.220]	39.50 [1.555]	15.00 [.591]	Top	Side
15	2	39.50 [1.555]	41.50 [1.634]	15.00 [.591]		
25	3	53.50 [2.106]	48.50 [1.909]	15.00 [.591]		
37	4	71.00 [2.795]	53.00 [2.087]	15.00 [.591]		

Dimensions are in millimeters [inches]



**Positronic**<sup>®</sup>  
an Amphenol company

THE SCIENCE OF CERTAINTY<sup>®</sup>

M035 23/06

# CT / CS Series Backshells

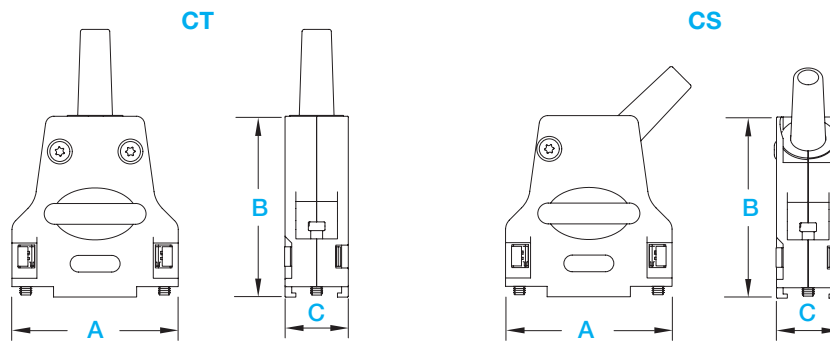


## FEATURES

- Zinc die-cast for D-Sub connectors
- Drop-in replacement for FMK Series backshells
- Available in shell sizes 1 through 4
- Top exit or side exit
- Offers EMI Protection
- Captive mounted jackscrews
- Strain relief rubber grommet
- Suitable for robust use

## TECH SPECS

<b>Part Number</b>	CT (Top exit) CS (Side exit)
<b>Performance Level</b>	Industrial
<b>RoHS Compliance</b>	Compliant
<b>Material</b>	Zinc, nickel plated
<b>Jackscrews</b>	UNC 4-40, Brass, nickel plated For M3, contact Technical Sales
<b>Cable Exit</b>	Top exit Side exit
<b>Strain Relief</b>	Rubber
<b>Assembly Screws</b>	Steel, nickel plated
<b>Cable O.D.</b>	Up to 15mm [.591 inches]
<b>Operating Temperature</b>	-45°C to +105°C

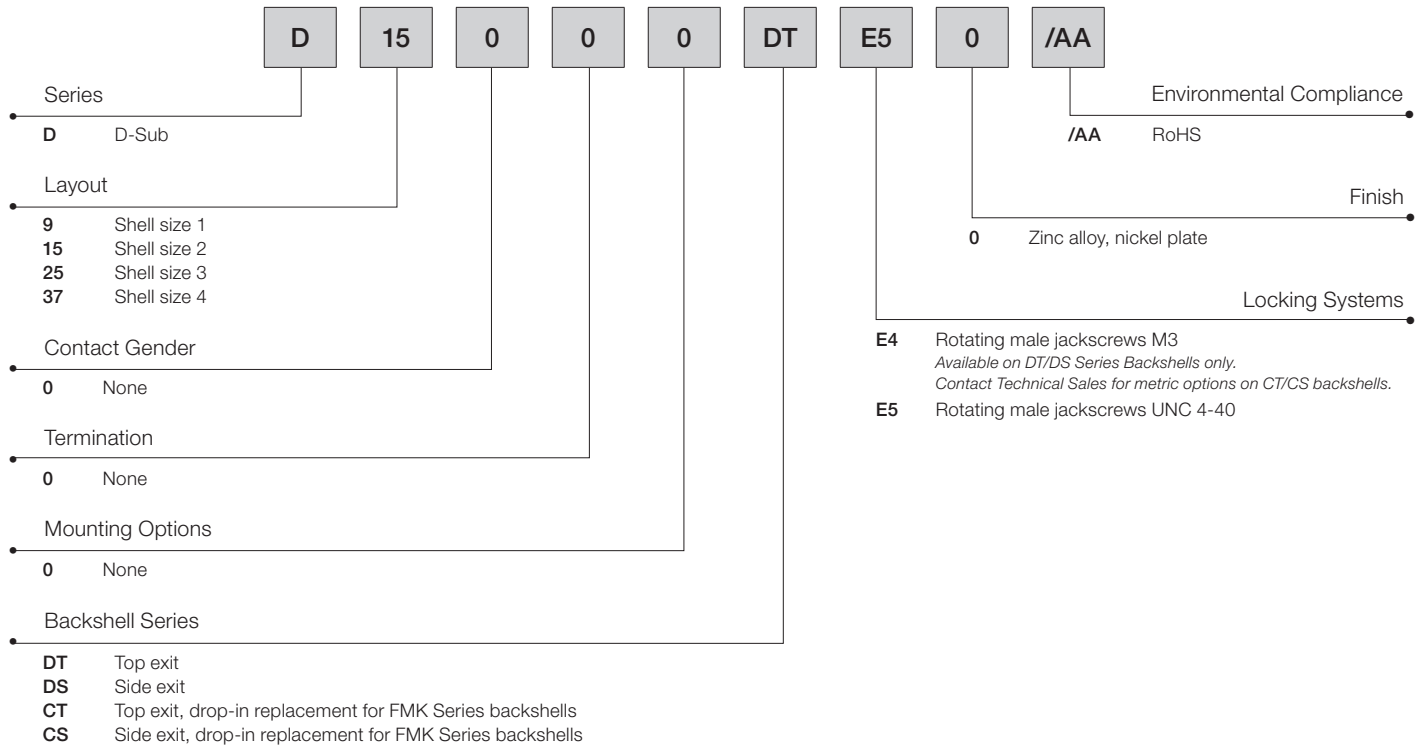


Layout	Shell Size	A	B	C	CT Cable Exit	CS Cable Exit
9	1	31.60 [1.244]	39.50 [1.555]	15.20 [.598]	Top	Side
15	2	40.00 [1.575]	41.00 [1.614]	15.20 [.598]		
25	3	53.70 [2.114]	47.50 [1.870]	15.20 [.598]		
37	4	70.20 [2.764]	48.00 [1.890]	15.20 [.598]		



Standard Cable Opening Dimension		
Shell size	With Grommet	Without Grommet
1	Up to 6.50 [.256]	9.50 [.374]
2	Up to 6.50 [.256]	12.5 [.492]
3	Up to 8.00 [.315]	12.5 [.492]
4	Up to 9.00 [.354]	15.00 [.591]

Dimensions are in millimeters [inches]



Our backshells are also available as part of connector kits. To include a backshell in a connector kit, insert the appropriate Backshell Series (shown above) into the Backshells & Boardlocks step of a connector part number. Examples follow:

Series	Layout	Contact Gender	Termination	Backshells & Boardlocks	Locking Systems	Shells	Environmental Compliance	PART NUMBER
SD	25	F	10	DS	E5	0	/AA	SD25F10 <b>DS</b> E50/AA
ODD	26	M	10	DT	E4	0	/AA	ODD26M10 <b>DT</b> E40/AA
MD	9	M	20	CT	E5	0	/AA	MD9M20 <b>CT</b> E50/AA
ODD	15	M	10	CS	E5	0	/AA	ODD15M10 <b>CS</b> E50/AA



**Positronic | Americas**  
1325 N Eldon Ave  
Springfield MO 65803 USA  
+1 800 641 4054  
info@connectpositronic.com

**Positronic | Europe**  
46 route d'Engachies  
F-32020 Auch Cedex 9 France  
+33 5 6263 4491  
contact@connectpositronic.com

**Positronic | Asia**  
3014A Ubi Rd 1 #07-01  
Singapore 408703  
+65 6842 1419  
singapore@connectpositronic.com

**Sales Offices**  
Positronic has local sales representation all over the world.  
For the nearest sales office visit [www.connectpositronic.com/sales](http://www.connectpositronic.com/sales)