



GLADIATOR

NEW

Magnetic, low-profile, self-aligning connector designed for soldier worn applications.

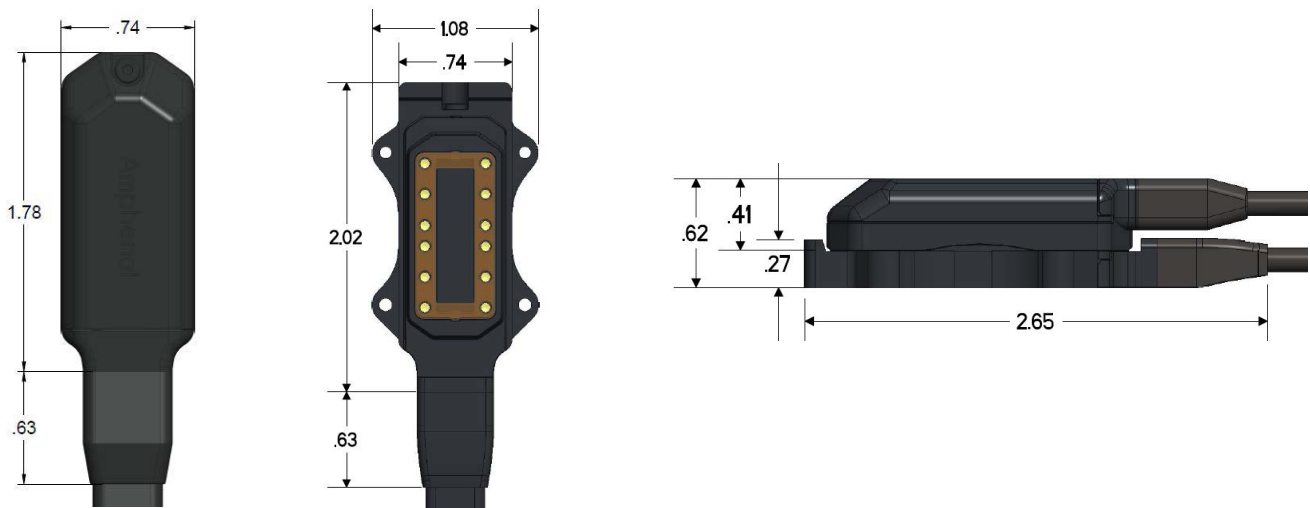


GLADIATOR

Overview

APCD's newest, small, lightweight, ultra flat connector designed for soldier worn applications, including data sharing, battery charging, and peripheral connectivity. Plugs and receptacles fit through MOLLE pack straps. Receptacles are designed for panel mounting, clipped into MOLLE, or sewn into place.

- Magnetic mating orients and aligns connectors for fast, no-look mating.
- Factory adjustable engage/disengage forces to meet customer specific requirements
- Spring pins (spring probes) maintain contact through shock and vibration.
- Fluorosilicone gasket interfacial seal that seals individual contacts and the plug to receptacle.
- May be supplied cabled (flat or round) or self-terminated.
- Power and Ground Pogo pins designed for 5A continuous current
- Supports USB2.0 Data, with 90 Ω impedance
- First mate, last break, pogo contact available for ground contacts
- *Coming Soon: Multi Angle Release Gladiator with E-textile termination capability



Pin Assignment

Pin	Specifications	Wire AWG
1	40 V @ 5amps	22 AWG
2	40 V @ 5amps	22 AWG
3	USB2.0 Data +	28 AWG
4	USB2.0 Data -	28 AWG
5	40 V @ 5amps	22 AWG
6	40 V @ 5amps	22 AWG

Specifications

Material	6061-T6 Aluminum
Current Rating	5A continuous
Dielectric Withstanding Voltage	120VDC
Insulation Resistance	5000M Ω at 500VDC
Operating Temperature	-50 C° to + 100 C°
Shell to Shell Resistance	< 4 m Ω
Mating Durability	5000+ Mating Cycles
De-Mate Force	3.0 to 5.0 lbs
Mechanical Vibration	MIL-STD-883 Method 2007.3 ; Test Condition A
Sealing	IP68 2m for 2hrs
Salt Spray	96 hrs
CBRN	Allows for NBC decontamination

* Subject to change pending completion of validation test

GLADIATOR

How to Order

GLD X XX X X XX X XX - XXX

SERIES

GLD: Standard Gladiator Connector Kit
MCG: Cable Assembly/Pig tail

CONNECTOR TYPE

P: Inline Plug
R: Inline Receptacle
D: Double-ended Plug & Receptacle

NO. OF POSITIONS

06: 6 positions
12 : 12 positions (Mate style S only)

MATE STYLE

M: Reversible 180° mate option
S: Single Mate Direction Keyed Forward
W: Single Mate Direction Keyed Reverse

MATE OPTION

1: Magnet
2: Steel plate (Receptacle only)

SIGNAL TYPE

D: USB 3 Compatible
M: USB 2.0 Compatible

TERMINATION FINISH

1: RoHS
2: Leaded solder

SHELL FINISH

B: Black Nickel
R: Ruthenium

CUSTOM COLORIZATION/TEXTURE

00: Standard

CABLE LENGTH

018: 18 inches (1.5 feet)
024: 24 inches (2 feet)
036: 36 inches (3 feet)
Leave blank if connector only

*Contact cable_sales@amphenolpcd.com for custom solutions