

## har-modular D2 data module female 4,5mm



Image is for illustration purposes only. Please refer to product description.

Part number	02 52 902 1502
Specification	har-modular D2 data module female 4,5mm
HARTING eCatalogue	<a href="https://b2b.harting.com/02529021502">https://b2b.harting.com/02529021502</a>

### Identification

Category	Connectors
Series	har-modular®
Element	Female connector
Description of the contact	Straight

### Version

Width of the module	5.08 mm
Termination method	Solder termination
Shielding	Fully shielded, 360° shielding contact
Connection type	Motherboard to daughtercard Mezzanine
Number of contacts	2
Contact configuration	r+t
Termination length	4.5 mm



**Pushing Performance**  
 Since 1945

## Technical characteristics

Transmission characteristics	10GBASE-KR Ethernet
	100GBASE-KR4 Ethernet
	PCIe Gen 2
	PCIe Gen 3
	PCIe Gen 4
	USB 3.0
	USB 3.1
	Hypertransport 3
	SAS 2.0
	SAS 3.0
	Infiniband FDR
SATA 3.2	
Data rate	10 Mbit/s
	100 Mbit/s
	1 Gbit/s
	5 Gbit/s
	10 Gbit/s
	25 Gbit/s
Clearance distance	1 mm in the module
	0.65 mm to module edge
Creepage distance	1 mm in the module
	0.65 mm to module edge
Insulation resistance	$>10^{11} \Omega$
Contact resistance	$<20 \text{ m}\Omega$
Shielding resistance	$<100 \text{ m}\Omega$
Limiting temperature	-55 ... +125 °C (during reflow soldering max. +240 °C for 15 s)
Insertion force	10 N
Withdrawal force	10 N
Performance level	1
Mating cycles	$\geq 500$
Hot plugging	No

## Material properties

Material	Polyamide (PA)
Colour	Black
Material (contacts)	Copper alloy
Surface (contacts)	Noble metal over Pd/Ni over Ni Mating side
	Sn over Ni Termination side
	Sn over Ni Mating side (shielding)
	Sn over Ni Termination side (shielding)

## Material properties

Material flammability class acc. to UL 94	V-0
---	-----

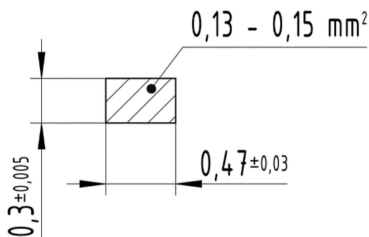
## Specifications and approvals

Railway classification	F1/I2 acc. to NFF 16-101/102
------------------------	------------------------------

## Commercial data

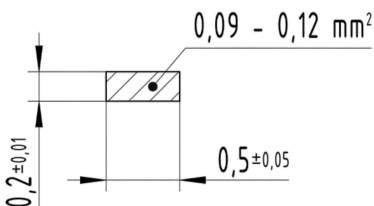
Packaging size	40
Net weight	0.01 kg
Country of origin	Romania
European customs tariff number	85366990
eCl@ss	27460201 PCB connector (board connector)

## Cross section of solder termination



## 2x Contacts

## Cross section of solder termination



## 3x Shielding

## Quantity of solder paste

Before the components are assembled, solder paste must be applied to all the solder pads (for connecting surface-mount components) and the plated through holes. To ensure that the plated through holes are completely filled, significantly more solder paste must be applied than traditional solder pads on the pcb surface. There are numerous calculation methods available which are complicated to apply. The following rule of thumb has proved valuable in practice.

Required volume of paste = 2x (Volume of plated through hole - Volume of the connector termination in the hole)

Comment: the multiplier "2" compensates for solder paste shrinkage during soldering. For this purpose, it was assumed that 50% of the paste consists of the actual solder, the other 50% being soldering aids.

## Soldering instructions

THR (ThroughHoleReflow) connectors are designed to be used in a reflow oven together with other SMD (SurfaceMountDevice) components. In the process, called as well "Pin in Hole Intrusive Reflow", the connectors are inserted into plated through holes in a comparable way to conventional component mounting. All other components can be assembled on the pcb surface.

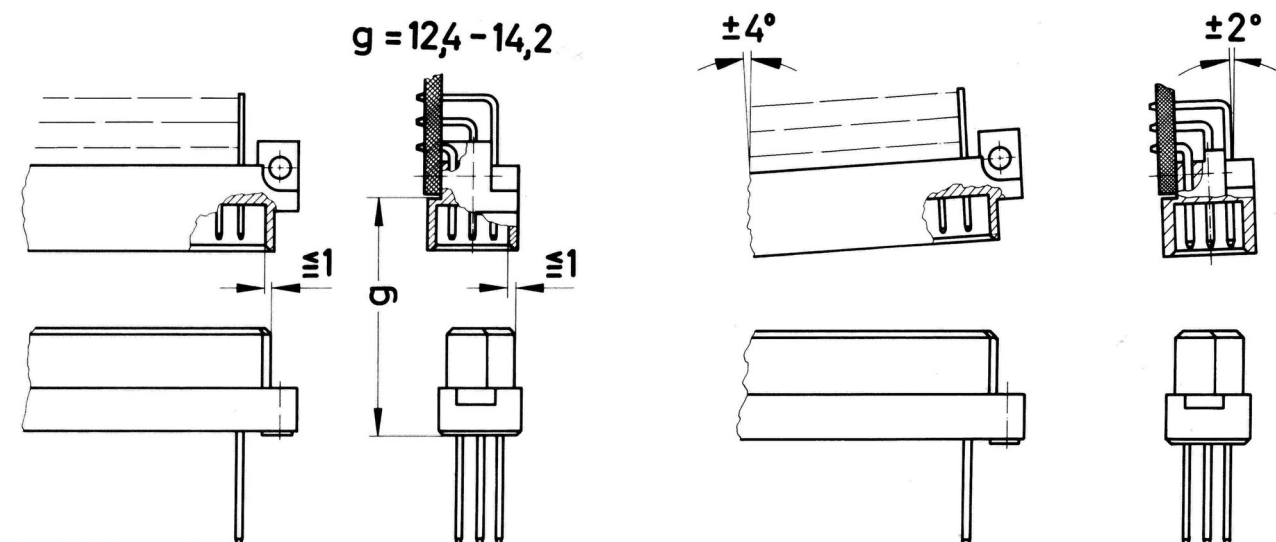
The length of the connector contacts should be such that they protrude by no more than 1.5 millimetres after insertion to the pcb. Each contact collects solder on its tip as it penetrates the solder paster in the hole. So if the contact is too long, this solder would no longer be able to reflow back into the plated through hole by capillary action during the soldering process, therefore the quality of the soldered connection would suffer as a result.

## Soldering instructions

The connectors should be protected when being soldered. Otherwise, they might become contaminated as a result of soldering operations or deformed as a result of overheating.

- 1) For prototypes and short runs protect the connectors with an industrial adhesive tape, e.g. Tesaband 4331 ([www.tesa.de](http://www.tesa.de)). Cover the underside of the connector moulding and the adjacent parts of the pcb as well as the open sides of the connector. This will prevent heat and gases of the soldering apparatus from damaging the connector. About 140 + 5 mm of the tape should suffice.
- 2) For large series a jig is recommended. Its protective cover with a fast action mechanical locking device shields the connectors from gas and heat generated by the soldering apparatus. As an additional protection a foil can be used for covering the parts that should not be soldered.
- 3) For prototypes and short runs the protection described under point 1) can be replaced by a solder protection cap. This cap can be ordered under the part no. 09 02 000 9935.

## Mating conditions



To ensure reliable connections and prevent unnecessary damage, please refer to the application data diagrams.

These recommendations are set out in IEC 60603-2.

The connectors should not be coupled and decoupled under electrical load.



**Pushing Performance**  
 Since 1945

har-modular®

Data rate

Protocol	Serial Data Rate / Pair	Single Interface Short Channel	Double Interface Short Channel	Double Interface Long Channel
400GBASE-KR4	56 Gbit/s	not recommended	not recommended	not recommended
100GBASE-KR4	25 Gbit/s	suitable <sup>[1]</sup>	not recommended	not recommended
10GBASE-KR	10 Gbit/s	suitable	suitable	suitable <sup>[1]</sup>
Infiniband HDR	50 Gbit/s	not recommended	not recommended	not recommended
Infiniband EDR	25.8 Gbit/s	not recommended	not recommended	not recommended
Infiniband FDR	14 Gbit/s	suitable <sup>[1]</sup>	suitable <sup>[1]</sup>	not recommended
PCIe Gen 4	16 Gbit/s	suitable <sup>[1]</sup>	suitable <sup>[1]</sup>	not recommended
PCIe Gen 3	8 Gbit/s	suitable	suitable	suitable
PCIe Gen 2	5 Gbit/s	suitable	suitable	suitable
USB 3.1	5 Gbit/s	suitable	suitable	suitable
USB 3.0	5 Gbit/s	suitable	suitable	suitable
Hypertransport 3	5.2 Gbit/s	suitable	suitable	suitable
SATA 3.2	16 Gbit/s	suitable <sup>[1]</sup>	suitable <sup>[1]</sup>	not recommended
SAS 4.0	22.5 Gbit/s	not recommended	not recommended	not recommended
SAS 3.0	12 Gbit/s	suitable <sup>[1]</sup>	suitable <sup>[1]</sup>	not recommended
SAS 2.0	6 Gbit/s	suitable	suitable	suitable
[1] using Mid-Performing PCB-Material		[2] using High-Performing PCB-Material		