


# DA14695MOD NPI OVERVIEW

JUNE 2023

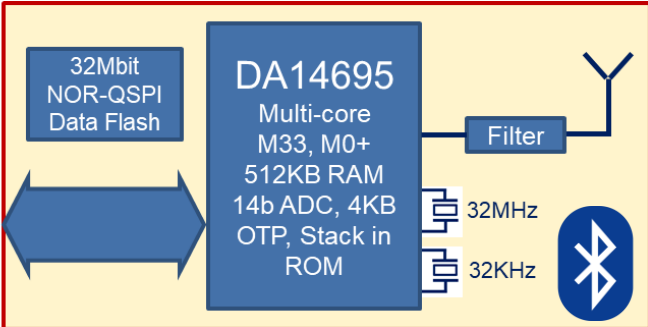
# DA14695MOD PRODUCT SNAPSHOT

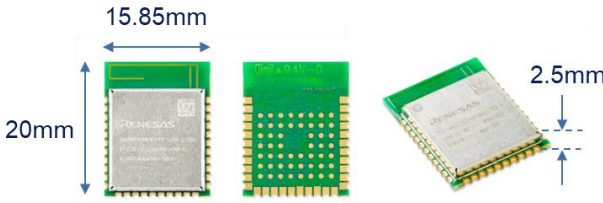
## INTEGRATED CHARGER, DISPLAY DRIVER ADVANCED BLUETOOTH LE MODULE

Features	Benefits	Applications
<ul style="list-style-type: none"> <li>Multi-core: CM33F@96MHz as application core, CM0+@96MHz as configurable MAC, Sensor Node Controller</li> <li>Integrated (USB) charger (JEITA support, SW Fuel-gauge)</li> <li>Integrated LCD Display Controller</li> <li>Receive Sensitivity -96dBm, Transmit +6dBm</li> <li>8-ch. 14bit Sigma-Delta ADC</li> <li>Bluetooth® LE 5.2 and proprietary 2.4 GHz protocols.</li> <li>Rich range of interface options</li> </ul> 	<ul style="list-style-type: none"> <li>Integrated PMU &amp; charger directly supports rechargeable batteries enabling cost effective (at least &gt;0.5\$ savings), reliable and small form factor designs</li> <li>True 'solution-on-a-chip' Module, offering potential single-device product solutions</li> <li>Cost-competitive solution, offering low development/qualification costs</li> <li>Optional <a href="#">Production Line Tester</a> for low Capex, no license fees, best-in-class test times</li> </ul>	<ul style="list-style-type: none"> <li>Connected medical</li> <li>Asset tracking (rechargeable)</li> <li>Wearables/Fitness band</li> <li>HID (Gaming/AR/VR)</li> <li>Locationing (rechargeable)</li> <li>Resilient Ranging/Proximity (<a href="#">WiRa™</a>)</li> <li>Home automation</li> <li>Industrial automation</li> <li>Rechargeable, wireless products</li> </ul>

### Product Details

World-wide regulatory certified. Comprehensive, user-friendly development environment: Pro Dev Kit/SDK, [Zephyr](#), [Micropython](#), [Github](#)  
 Battery life calculator, Real-time Power Profiling, [Production Line Tester](#)





15.85mm  
20mm  
2.5mm

DA14695MOD-00F3200C (100/reel)  
 DA14695MOD-00F32002 (700/reel)  
 DA14695MOD-00DEVKT-P Pro Dev Kit  
 DA14695MOD-00F1DB-P Daughterboard only

---

[Renesas.com](https://www.renesas.com)