



**RAYCHEM**

TE Internal #: 3823353004

Twisted Pair Cable, Spec 44, 600VAC Voltage Rating, Tin-Coated Copper, 24 AWG Wire Size, Operating Temperature Range -65 – 150 °C

[View on TE.com >](#)

Wire & Cable > Twisted Pair Cable



Cable Type: **Spec 44**

Voltage Rating: **600 VAC**

Wire & Cable Insulation Material: **Modified Radiation Cross-linked PVDF**

Conductor Material: **Tin-Coated Copper**

Wire Size: **24 AWG**

**Features**

**Electrical Characteristics**

Voltage Rating	600 VAC
----------------	---------

**Body Features**

Wire & Cable Insulation Material	Modified Radiation Cross-linked PVDF
Conductor Material	Tin-Coated Copper

**Dimensions**

Wire Size	24 AWG
-----------	--------

**Usage Conditions**

Cable Type	Spec 44
Operating Temperature Range	-65 – 150 °C

**Product Compliance**

[For compliance documentation, visit the product page on TE.com>](#)

EU RoHS Directive 2011/65/EU	Compliant
EU ELV Directive 2000/53/EC	Compliant
China RoHS 2 Directive MIIT Order No 32, 2016	No Restricted Materials Above Threshold
EU REACH Regulation (EC) No. 1907/2006	Current ECHA Candidate List: JAN 2023 (233)



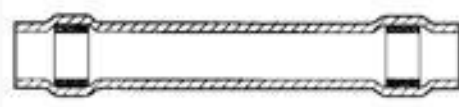
Candidate List Declared Against: JAN 2023  
(233)  
Does not contain REACH SVHC

Halogen Content	Not Low Halogen - contains Br or Cl > 900 ppm.
Solder Process Capability	Not applicable for solder process capability

Product Compliance Disclaimer

This information is provided based on reasonable inquiry of our suppliers and represents our current actual knowledge based on the information they provided. This information is subject to change. The part numbers that TE has identified as EU RoHS compliant have a maximum concentration of 0.1% by weight in homogenous materials for lead, hexavalent chromium, mercury, PBB, PBDE, DBP, BBP, DEHP, DIBP, and 0.01% for cadmium, or qualify for an exemption to these limits as defined in the Annexes of Directive 2011/65/EU (RoHS2). Finished electrical and electronic equipment products will be CE marked as required by Directive 2011/65/EU. Components may not be CE marked. Additionally, the part numbers that TE has identified as EU ELV compliant have a maximum concentration of 0.1% by weight in homogenous materials for lead, hexavalent chromium, and mercury, and 0.01% for cadmium, or qualify for an exemption to these limits as defined in the Annexes of Directive 2000/53/EC (ELV). Regarding the REACH Regulation, the information TE provides on SVHC in articles for this part number is based on the latest European Chemicals Agency (ECHA) 'Guidance on requirements for substances in articles' posted at this URL: <https://echa.europa.eu/guidance-documents/guidance-on-reach>

### Compatible Parts



TE Part # 650074-000  
D-436-36

### Customers Also Bought



TE Part #6-1393246-4  
W23-X1A1G-1=W23/W31



TE Part #3823593004  
44A1121-26-2/6-9



TE Part #3823943002  
44A1141-22-0/2/6/9-9



TE Part #2820463016  
44A0111-24-6



## Documents

### Product Drawings

[44A1121-24-2/6-9](#)

English

### Datasheets & Catalog Pages

[1654025\\_Sec9\\_SPEC44](#)

English

[Raychem Wire and Cable Quick Reference Guide](#)

English